

PRODUCT INFORMATION PACKET



Model No: C335ES
Catalog No: C335ES
1/2 HP General Purpose Motor, 1 phase, 1800 RPM, 115/230 V, 56C Frame, ODP
Single Phase ODP Motors



Regal and Century are trademarks of Regal Beloit Corporation or one of its affiliated companies.
©2019 Regal Beloit Corporation, All Rights Reserved. MC017097E





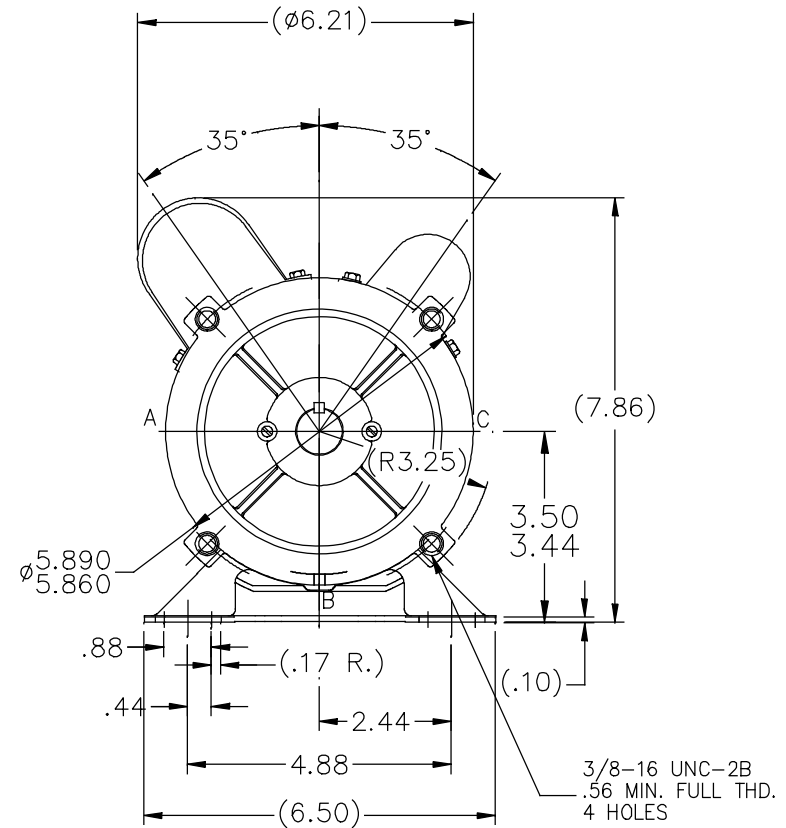
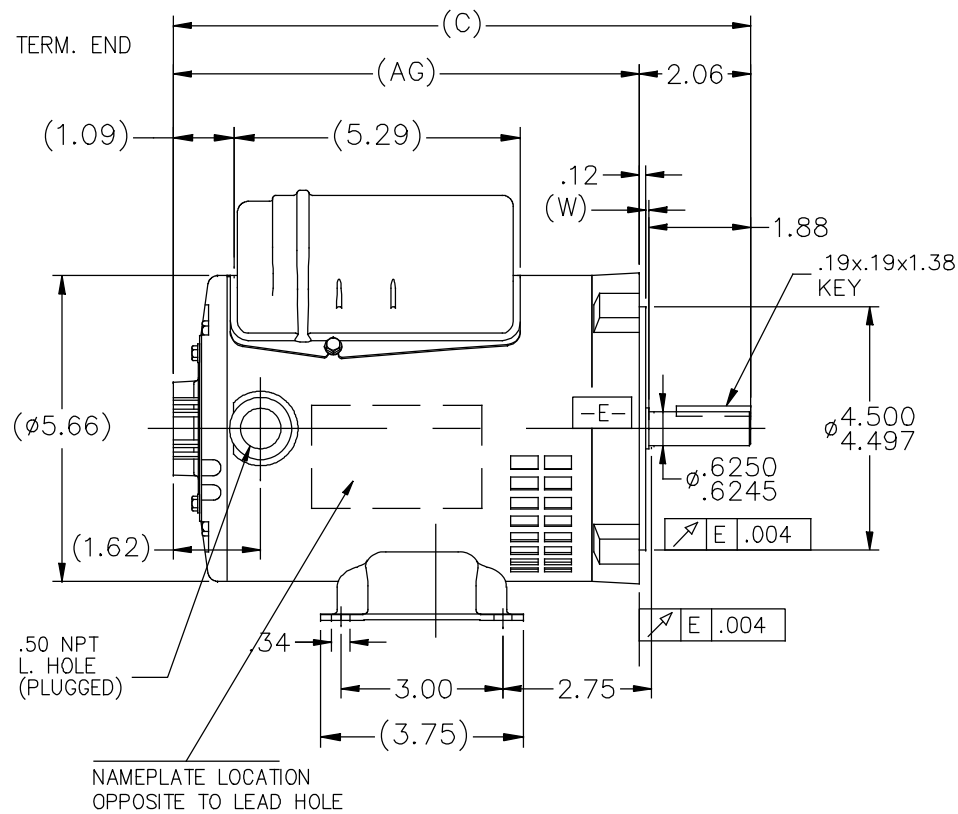
Nameplate Specifications

Output HP	1/2 Hp	Output KW	0.37 kW
Frequency	60 Hz	Voltage	115/230 V
Current	4.6/2.3 A	Speed	1725 rpm
Service Factor	1.25	Phase	1
Duty	Continuous	Insulation Class	B
Frame	56C	Enclosure	Drip Proof
Thermal Protection	None	Ambient Temperature	40 °C
UL	Recognized	CSA	Y
CE	Y		

Technical Specifications


Electrical Type	Shaded Pole	Starting Method	Across The Line
Poles	4	Rotation	Reversible Counterclockwise
Mounting	Rigid Base	Drive End Bearing	Ball
Opp Drive End Bearing	Ball	Frame Material	Rolled Steel
Shaft Type	Keyed	Overall Length	11.44 in
Frame Length	7.63 in	Shaft Diameter	0.625 in
Shaft Extension	2.06 in		

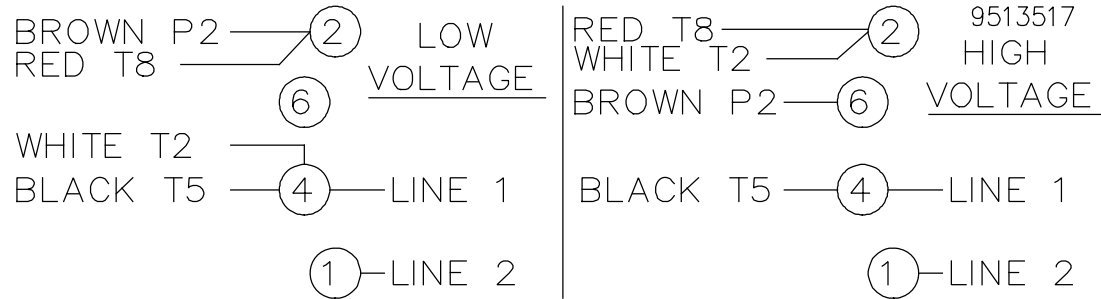
This is an uncontrolled document once printed or downloaded and is subject to change without notice. Date Created:30/10/2019



DASH	C	AG	DASH	C	AG
625	10.19	8.13	725	11.19	9.13
650	10.44	8.38	750	11.44	9.38
675	10.69	8.63	775	11.69	9.63
700	10.94	8.88	800	11.94	9.88

'W' = CLEARANCE ALLOWED FOR ALL VARIANCES IN MANUFACTURING & ASSEMBLY

			TOLERANCES UNLESS SPECIFIED		 Regal Beloit America, Inc.	DRAWN	PVR 12/23/14	
			DEC.	INCHES		CHK	VS 12/23/14	
			.X	±.1		APPD		
03	NAMEPLATE LOCATION CHANGED	UD 10/24/19	.XX	±.03	TITLE	SCALE	3=8	
02	UPDATED NAME PLATE LOC.	PVR 05-26-17	.XXX	±.005		REF		
01	NAME PLATE LOC. UPD PER ECO-0092253	KK 01/21/15	.XXXX	±.0005	MAT'L.	FMF		
NO.	REVISION	BY & DATE	CHK	ANG	FINISH	PREV		
THIS DRAWING IN DESIGN AND DETAIL IS OUR PROPERTY AND MUST NOT BE USED EXCEPT IN CONNECTION WITH OUR WORK ALL RIGHTS OF DESIGN AND INVENTION ARE RESERVED THIS IS AN ELECTRONICALLY GENERATED DOCUMENT - DO NOT SCALE THIS PRINT			RFP		CAD FILE	SS404131	SIZE	DRAWING NO. PAGE 1 OF 1
			DIST	WP			A	SS404131
								D



ROTATION CCW-OPE TO REVERSE EITHER VOLTAGE
 INTERCHANGE BLACK(T5) WITH RED(T8) LEADS

				TOLERANCES UNLESS SPECIFIED			DRAWN TOM 06-21-1988			
				DEC.	INCHES		CHK	GK	06-21-1988	
				.X	±.1		APPD	FG	06-21-1988	
3	ADDED T MARKINGS	DS	07/19/2018	VC	.XX ±.02	TITLE CONNECTION DIAGRAM	SCALE 1=1			
2	REDRAWN IN AUTOCAD	TAT	10-22-2004	ML	.XXX ±.005		REF			
1	NEW DRAWING	TOM	06-24-1988		.XXXX ±.0005		MAT'L.			
NO.	REVISION	BY & DATE	CHK	ANG	±7'30"	FINISH	PREV			
THIS DRAWING IN DESIGN AND DETAIL IS OUR PROPERTY AND MUST NOT BE USED EXCEPT IN CONNECTION WITH OUR WORK ALL RIGHTS OF DESIGN AND INVENTION ARE RESERVED THIS IS AN ELECTRONICALLY GENERATED DOCUMENT - DO NOT SCALE THIS PRINT				RFP	CAD FILE 9513517		SIZE	DRAWING NO.	PAGE OF	REV.
				DIST			A	9513517	3	3