

PRODUCT INFORMATION PACKET



Model No: C233
Catalog No: C233
3/4 HP Circulator pump Motor, 1 phase, 1800 RPM, 115/230 V, 56Y Frame, ODP
Circulator Pump Motors



Regal and Century are trademarks of Regal Beloit Corporation or one of its affiliated companies.
©2019 Regal Beloit Corporation, All Rights Reserved. MC017097E

REGAL



Nameplate Specifications

Output HP	3/4 Hp	Output KW	0.56 kW
Frequency	60 Hz	Voltage	115/230 V
Current	10.4/5.2 A	Speed	1725 rpm
Service Factor	1.3	Phase	1
Duty	Continuous	Insulation Class	B
Frame	L56Y	Enclosure	Drip Proof
Thermal Protection	Thermally Protected	Ambient Temperature	40 °C
UL	Recognized	CSA	Y
CE	N		

Technical Specifications

Electrical Type	Capacitor Start, Induction Run, Single Or Dual Voltage	Starting Method	Across The Line
Poles	4	Rotation	Reversible Clockwise
Mounting	Cushion Ring	Drive End Bearing	Sleeve
Opp Drive End Bearing	Sleeve	Frame Material	Rolled Steel
Shaft Type	Keyed	Overall Length	11.62 in
Frame Length	6.25 in	Shaft Diameter	0.625 in
Shaft Extension	1.37 in		

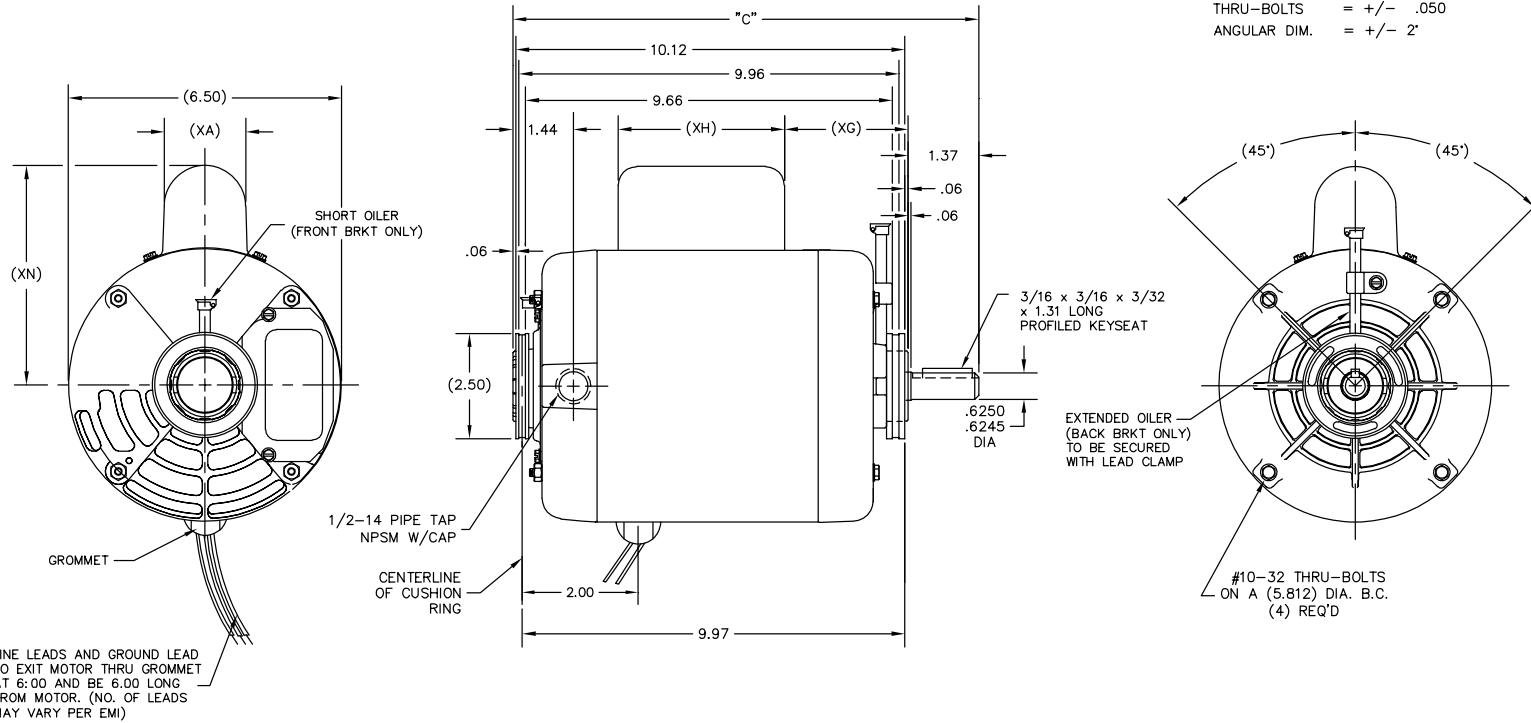
This is an uncontrolled document once printed or downloaded and is subject to change without notice. Date Created:04/11/2019

GROUP	TYPE	FRAME	'c'	(XA)	(XG)	(XH)
-01	CS	L56Y	11.62	1.64	3.96	4.08
-02	CS	L56Y	11.62	2.02	3.96	4.08

REV	ECO	REV BY	DATE	APPD	DATE
G	0036702	M.AVILA	08-13-2013	M.AVILA	08-13-2013

ALL DIMENSIONS SHOWN IN PARENTHESIS ARE REFERENCE DIMENSIONS. ALL OTHER DIMENSIONS ARE TOLERANCED PER THE FOLLOWING CHART UNLESS OTHERWISE SPECIFIED.

'C" DIM. = +/- .055
 SHAFT EXT. = +/- .034
 LEAD LENGTHS = +/- 1.00
 EXTENDED THRU-BOLTS = +/- .050
 ANGULAR DIM. = +/- 2'



GEOMETRIC CHARACTERISTICS & SYMBOLS	
▭	FLATNESS
—	STRAIGHTNESS
∠	ANGULARITY
⊥	PERPENDICULARITY (SQUARENESS)
∥	PARALLELISM
○	ROUNDNESS (CIRCULARITY)
⊘	CYLINDRICITY
⌒	PROFILE OF ANY SURFACE
⌒	PROFILE OF ANY LINE
⊕	RUNOUT
⊕	TRUE POSITION
⊙	CONCENTRICITY
⊖	SYMMETRY

UNLESS OTHERWISE SPECIFIED DIM. TOLERANCES ARE AS FOLLOWS:
 INCH X XX XXX XXXX
 ±.1 ±.02 ±.005 ±.0005
 mm ±0.5 ±0.13 ±0.013
 ANG. ±.50 DEG
 REMOVE BURRS & BREAK SHARP EDGES:
 INCH .003-.015 mm 0.1-.04
 CORNER FILLETS TO:
 INCH .020 mm 0.5
 MACHINE SURFACES:
 INCH 125 mm 3.2
 METRIC DIMS. SHOWN IN [BRACKETS]

DR BY:	MJS	04-04-1990
APPD:		
THIRD ANGLE PROJECTION	EDS DATE 11-11-2011	FORMAT REV H
CONFIDENTIAL: THIS DRAWING AND ITS INFORMATION ARE THE EXCLUSIVE AND CONFIDENTIAL PROPERTY OF REGAL-BELOIT CORPORATION AND ARE NOT TO BE DISCLOSED, DUPLICATED, DISTRIBUTED OR OTHERWISE USED WITHOUT THE WRITTEN CONSENT OF REGAL-BELOIT CORPORATION. -ALL RIGHTS RESERVED.		

REGAL REGAL-BELOIT CORPORATION	
DESCRIPTION OUTLINE	
SIZE C	DWG NO 162135
SCALE NONE	SHEET 1