

PRODUCT INFORMATION PACKET



Model No: C199ES
Catalog No: C199ES
1/4 HP General Purpose Motor, 1 phase, 1800 RPM, 115/230 V, 56 Frame, ODP
Single Phase ODP Motors



Regal and Century are trademarks of Regal Beloit Corporation or one of its affiliated companies.
©2019 Regal Beloit Corporation, All Rights Reserved. MC017097E





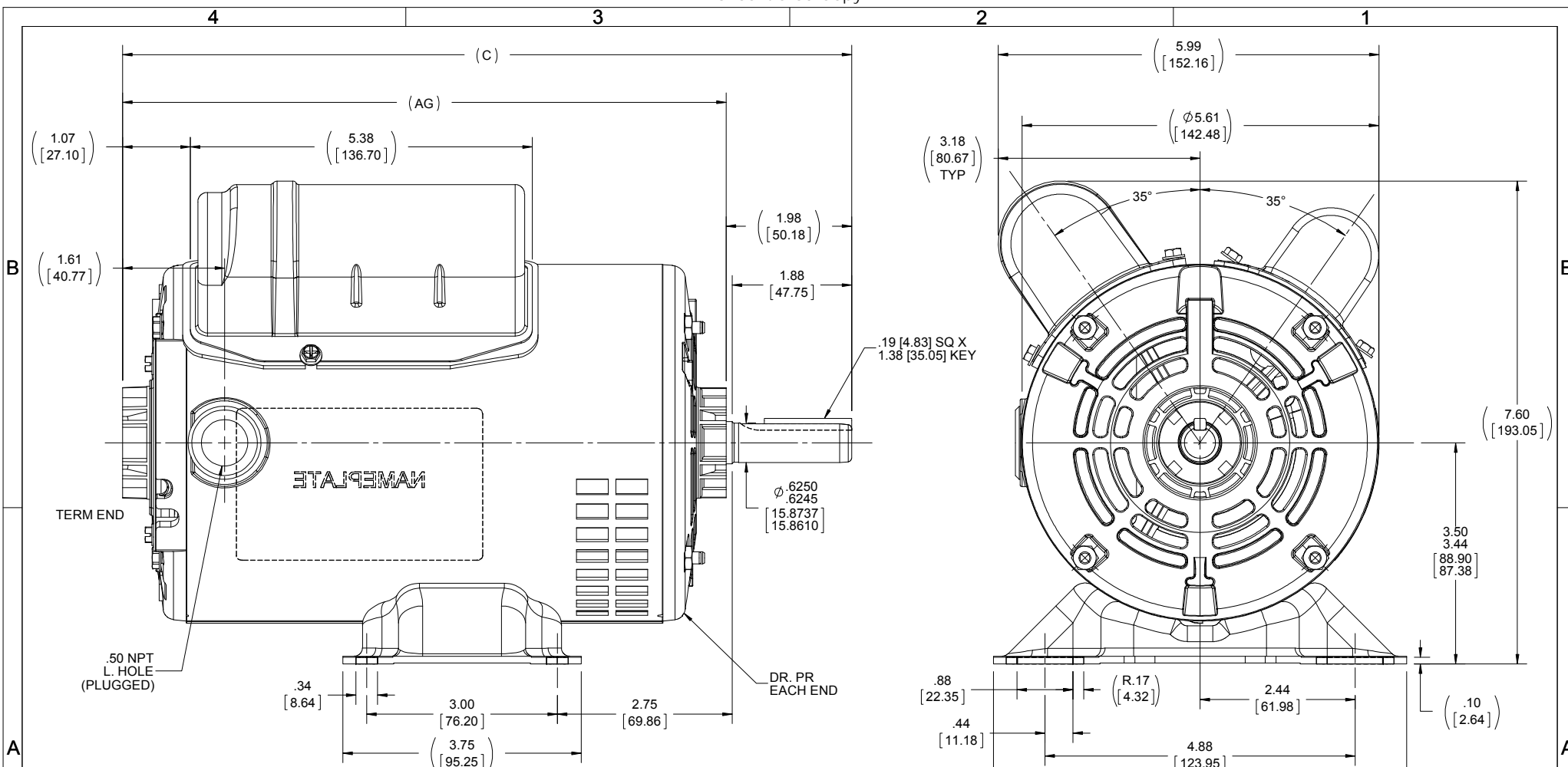
Nameplate Specifications

Output HP	1/4 Hp	Output KW	0.19 kW
Frequency	60 Hz	Voltage	115/230 V
Current	2.4/1.2 A	Speed	1725 rpm
Service Factor	1.35	Phase	1
Duty	Continuous	Insulation Class	B
Frame	56	Enclosure	Open Drip Proof
Thermal Protection	Automatic	Ambient Temperature	40 °C
UL	Recognized	CSA	Y
CE	Y		

Technical Specifications

Electrical Type	Shaded Pole	Starting Method	Across The Line
Poles	4	Rotation	Counterclockwise/Clockwise
Mounting	Rigid Base	Drive End Bearing	Ball
Opp Drive End Bearing	Ball	Frame Material	Rolled Steel
Shaft Type	Keyed	Overall Length	10.72 in
Frame Length	7.13 in	Shaft Diameter	0.625 in
Shaft Extension	1.97 in		

This is an uncontrolled document once printed or downloaded and is subject to change without notice. Date Created:30/10/2019



DASH	C	AG
625	10.22 [259.59]	8.25 [209.55]
650	10.47 [265.94]	8.50 [215.90]
675	10.72 [272.29]	8.75 [222.25]
700	10.97 [278.64]	9.00 [228.60]
725	11.22 [284.98]	9.25 [234.95]
750	11.47 [291.34]	9.50 [241.30]
775	11.72 [297.69]	9.75 [247.65]
800	11.97 [304.04]	10.00 [254.00]

DRAWING REVISION	REVISION BY	REV DATE/DATE
D	S.MUDDA	12/11/2018
ECO-0165533	D.SURYAWANSHI	04/15/2019

ECO DESCRIPTION
OUTLINE CONVERSION PROJECT
COPYRIGHT (PER REVISION DATE) REGAL BELOIT AMERICA, INC. ALL RIGHTS RESERVED. PROPRIETARY AND CONFIDENTIAL INFORMATION - THIS DOCUMENT IS THE PROPERTY OF REGAL BELOIT AMERICA, INC. (OWNER) AND CONTAINS OWNERS PROPRIETARY INFORMATION. ANY PERSON, CORPORATION OR OTHER FIRM RECEIVING IT IS DEEMED, BY RECEIVING IT, TO AGREE THAT IT, AND/OR ANY PART OF IT, SHALL NOT BE DISCLOSED TO ANY PERSON, CORPORATION OR OTHER ENTITY, DUPLICATED, AND/OR USED, EXCEPT AS EXPRESSLY APPROVED IN WRITING IN ADVANCE BY OWNER. THIS DOCUMENT SHALL BE RETURNED TO OWNER UPON REQUEST. IT MAY BE SUBJECT TO CERTAIN RESTRICTIONS UNDER APPLICABLE EXPORT CONTROL LAWS AND REGULATIONS.

TOLERANCES (EXCEPT AS NOTED):

DEC.	INCH	mm	ANGLE
-X	+0.1	[±3]	±7° 30'
.XX	+0.03	[±0.8]	
.XXX	+0.005	[±0.13]	
.XXXX	+0.0005	[±0.013]	

REMOVE BURRS & BREAK SHARP EDGES: .003/.015 [0.08/.38] X 45°
 CORNER FILLETS: R.02 [5]
 MACHINED SURFACES: 200 INCH/mm 5.1
 mm DIMENSIONS IN [BRACKETS] ARE FOR REFERENCE ONLY

DRAWN BY	DATE
JAH	11/21/2014

APPROVED BY	DATE

REFERENCE
 SS404113/SS75609

THIRD ANGLE PROJECTION

REGAL Regal Beloit America, Inc.

OUTLINE
56 FRAME

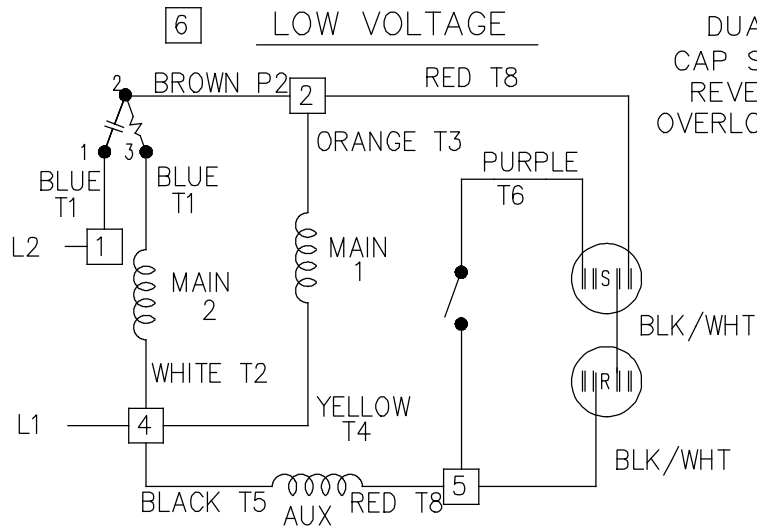
MATERIAL: SS404113/SS75609

PROCESS/FINISH

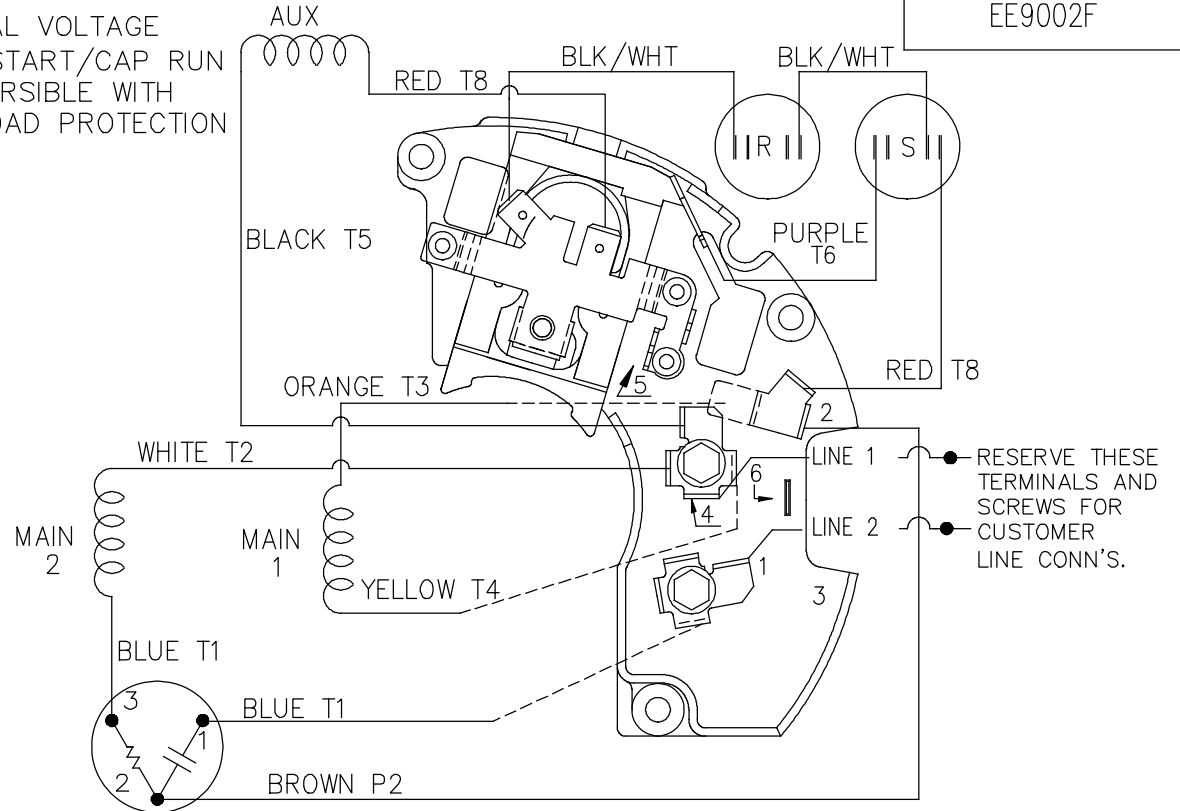
SIZE: B

DRAWING NUMBER: SS404114

SHEET: 1 OF 1



DUAL VOLTAGE
CAP START/CAP RUN
REVERSIBLE WITH
OVERLOAD PROTECTION



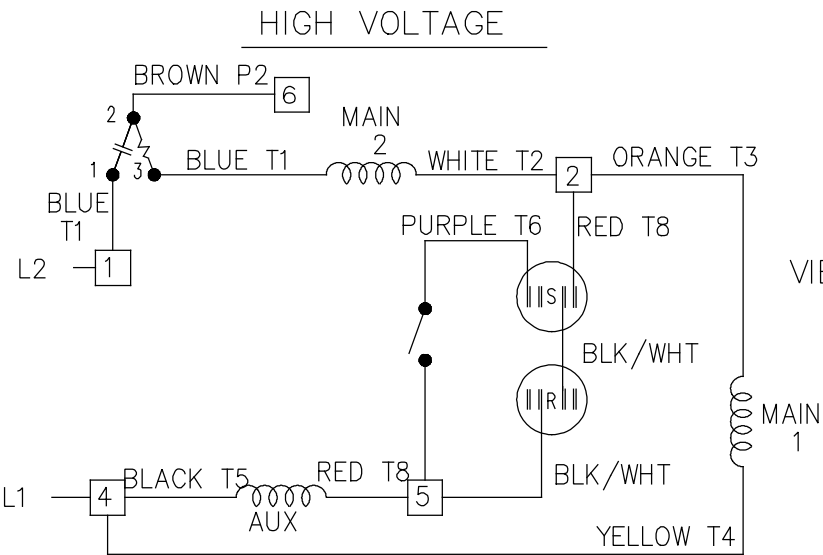
VIEWING TERM END


LOW VOLTAGE CCW ROTATION SHOWN.

FOR HIGH VOLTAGE
CONNECT BROWN TERM 2 TO TERM 6.
CONNECT WHITE TERM 4 TO TERM 2.

TO REVERSE ROTATION EITHER
VOLTAGE INTERCHANGE RED
LEAD WITH BLACK LEAD.

DASH LINES INDICATE LEADS CONNECTED
TO MOTOR SIDE OF SWITCH.



6	ADDED T MARKINGS	DS 07/19/2018	VC	TOLERANCES UNLESS SPECIFIED		 Regal Beloit America, Inc.	DRAWN ML 02-11-1988
5	REVISED LINE 2 LOCATION	RM 01-28-1991		DEC.	INCHES		CHK FG 02-11-1988
4	UPDATED SCHEMATIC PER CN 6014	DA 08-01-1990		.X	± -	APPD DNR 03-11-1988	
3	RED LEAD FROM AUX WAS ON ANGLE TERM. PURPLE LEAD WAS RED CN 6014	DA 07-02-1990		.XX	± -	TITLE CONNECTION DIAGRAM 48 FR. DUAL VOLTAGE REVERSIBLE	SCALE 1=1
2	ADDED CUSTOMER CONNECTION NOTE. CN 6011	BW 08-03-1989		.XXXX	± -	MAT'L.	REF
NO.	REVISION	BY & DATE	CHK	ANG	± -	FINISH	PREV
THIS DRAWING IN DESIGN AND DETAIL IS OUR PROPERTY AND MUST NOT BE USED EXCEPT IN CONNECTION WITH OUR WORK ALL RIGHTS OF DESIGN AND INVENTION ARE RESERVED THIS IS AN ELECTRONICALLY GENERATED DOCUMENT - DO NOT SCALE THIS PRINT				RFP	CAD FILE EE9002F		SIZE A
				DIST WP			DRAWING NO. EE9002F
						PAGE OF	REV. 6