

PRODUCT INFORMATION PACKET



Model No: C187ES
Catalog No: C187ES
.75 HP General Purpose Motor, 1 phase, 1800 RPM, 115/230 V, 56 Frame, ODP
Single Phase ODP Motors



Regal and Century are trademarks of Regal Beloit Corporation or one of its affiliated companies.
©2019 Regal Beloit Corporation, All Rights Reserved. MC017097E

The REGAL logo is a grey rectangular box with the word 'REGAL' in white, bold, uppercase letters. It is positioned on a blue background with a halftone dot pattern that tapers to the right.

REGAL



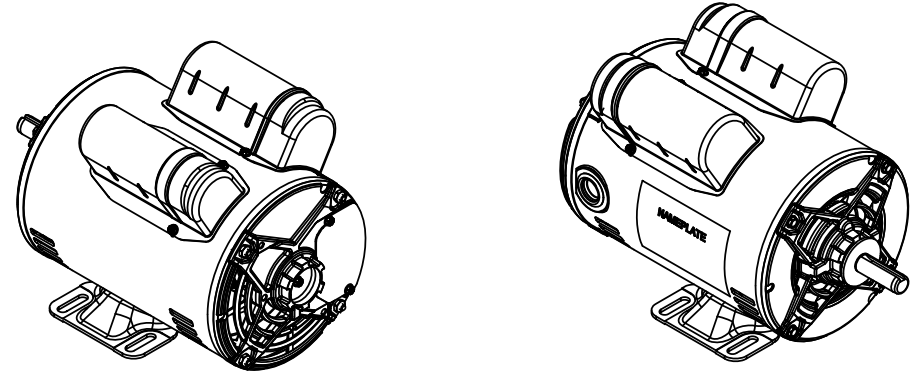
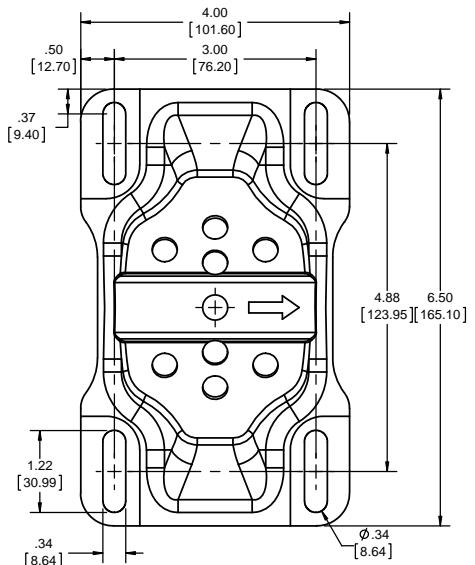
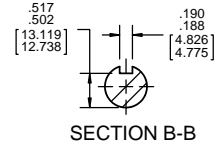
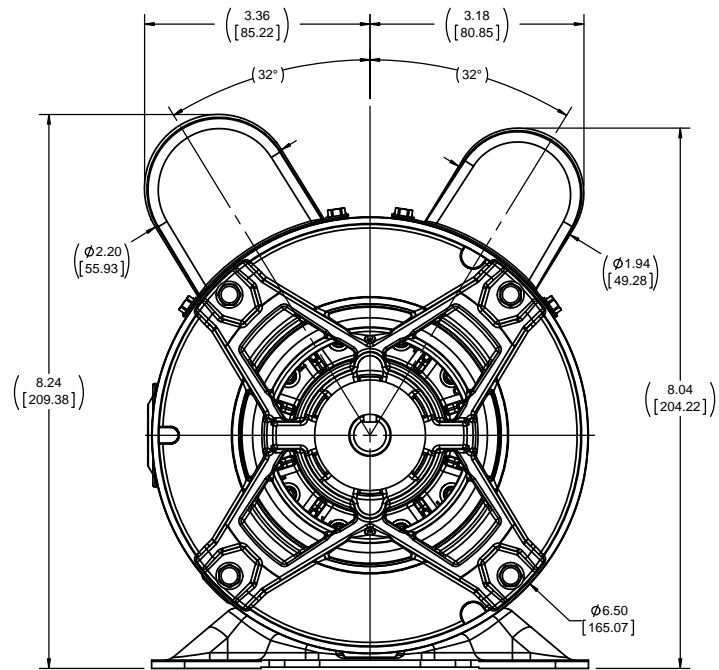
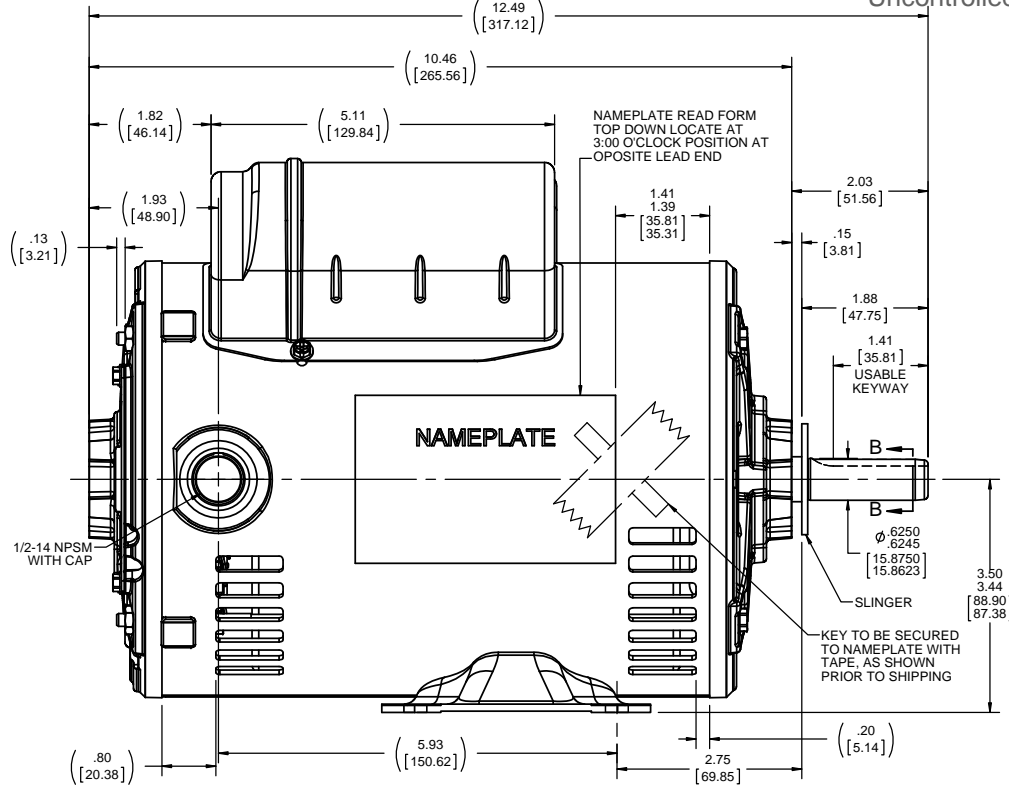
Nameplate Specifications


Output HP	.75 Hp	Output KW	0.56 kW
Frequency	60 Hz	Voltage	115/230 V
Current	6.6/3.3 A	Speed	1725 rpm
Service Factor	1.25	Phase	1
Duty	Continuous	Insulation Class	B
Frame	56	Enclosure	Drip Proof
Thermal Protection	Thermally Protected	Ambient Temperature	40 °C
UL	Recognized	CSA	Y
CE	Y		

Technical Specifications

Electrical Type	Shaded Pole	Starting Method	Across The Line
Poles	4	Rotation	Selective Counterclockwise
Mounting	Rigid Base	Drive End Bearing	Ball
Opp Drive End Bearing	Ball	Frame Material	Rolled Steel
Shaft Type	NEMA 56	Overall Length	12.49 in
Frame Length	6.75 in	Shaft Diameter	0.625 in
Shaft Extension	2.03 in		

This is an uncontrolled document once printed or downloaded and is subject to change without notice. Date Created:30/10/2019



DRAWING REVISION A		REVISION BY	DATE	TOLERANCES UNLESS OTHERWISE SPECIFIED:		DRAWN BY R.ZAMARRON	 Regal Beloit America, Inc.
ECO	ECO-0111712	APPROVED BY	DATE	DEC.	INCH mm ANGLE	DATE 10-27-2016	
NEW MODEL RELEASE				.XX	±0.1 [±2.5]	APPROVED BY	DESCRIPTION OUTLINE
COPYRIGHT REGAL BELOIT AMERICA, INC. ALL RIGHTS RESERVED.				.XX	±0.03 [±0.76]	DATE	MATERIAL 56FR, DP, 1-PHASE
PROPRIETARY AND CONFIDENTIAL INFORMATION - THIS DOCUMENT IS THE PROPERTY OF REGAL BELOIT AMERICA, INC. FORMERLY AND CONTAINS OWNER'S PROPRIETARY INFORMATION. ANY PERSON, CORPORATION OR OTHER FIRM RECEIVING IT IS DEEMED, BY RECEIVING IT, TO AGREE THAT IT, AND/OR ANY PART OF IT, SHALL NOT BE DISCLOSED TO ANY PERSON, CORPORATION OR OTHER ENTITY, DUPLICATED, AND/OR USED, EXCEPT AS EXPRESSLY APPROVED IN WRITING IN ADVANCE BY OWNER. THIS DOCUMENT SHALL BE RETURNED TO OWNER UPON REQUEST. IT MAY BE SUBJECT TO CERTAIN RESTRICTIONS UNDER APPLICABLE EXPORT CONTROL LAWS AND REGULATIONS.				.XXX	±0.005 [±0.127]	REFERENCE	PROCESS FINISH
				.XXXX	±0.0005 [±0.0127]	MATERIAL	
				REMOVE BURRS & BREAK SHARP EDGES: .003/.015 [0.076/.381] X 45° CORNER FILLETS: R.02 [51]		THIRD ANGLE PROJECTION	DRAWING NUMBER OL56100175-001
				MACHINED SURFACES: 125 3.2 INCH/mm		SIZE	SHEET 1 OF 1
				mm SHOWN IN [BRACKETS]		C	