

# PRODUCT INFORMATION PACKET



Model No: C157LES  
Catalog No: C157LES  
1/4 HP General Purpose Motor, 1 phase, 1800 RPM, 115/230 V, 48 Frame, ODP  
Single Phase ODP Motors



Regal and Century are trademarks of Regal Beloit Corporation or one of its affiliated companies.  
©2019 Regal Beloit Corporation, All Rights Reserved. MC017097E





**Nameplate Specifications**

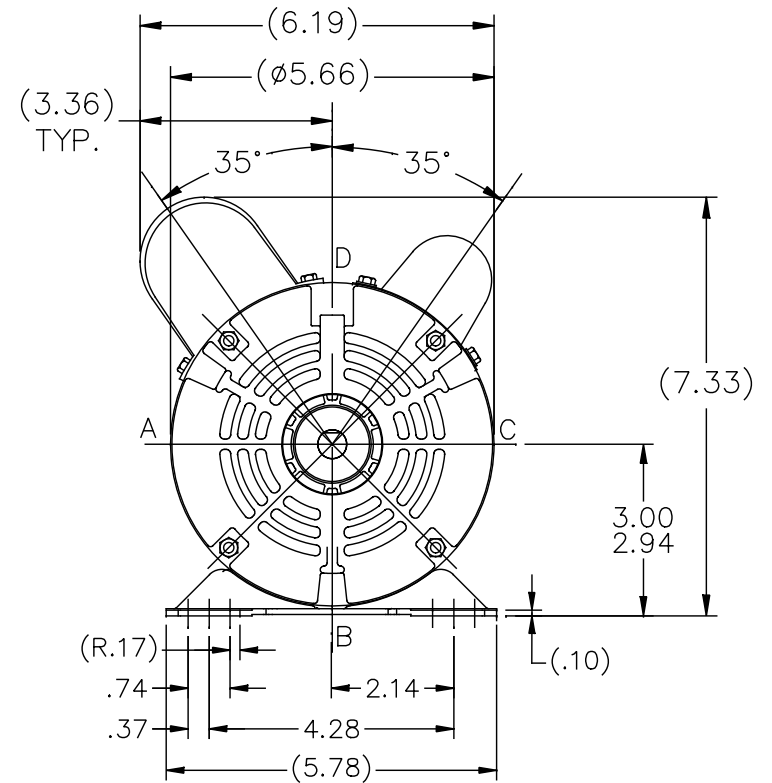
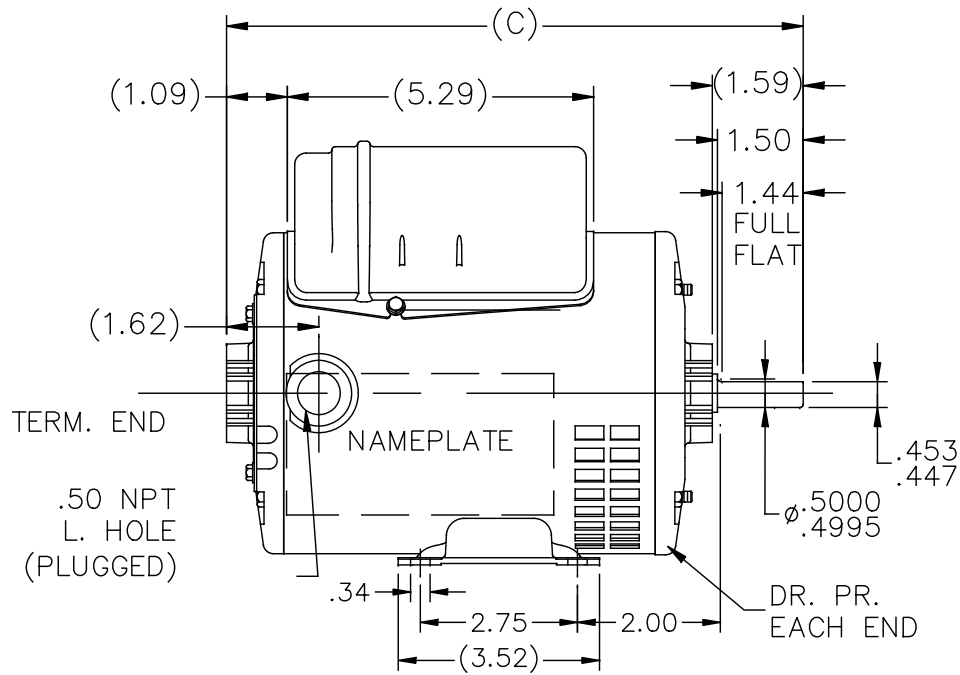
Output HP	<b>1/4 Hp</b>	Output KW	<b>0.19 kW</b>
Frequency	<b>60 Hz</b>	Voltage	<b>115/230 V</b>
Current	<b>2.4/1.2 A</b>	Speed	<b>1725 rpm</b>
Service Factor	<b>1.35</b>	Phase	<b>1</b>
Duty	<b>Continuous</b>	Insulation Class	<b>B</b>
Frame	<b>48</b>	Enclosure	<b>Open Drip Proof</b>
Thermal Protection	<b>Automatic</b>	Ambient Temperature	<b>40 °C</b>
UL	<b>Recognized</b>	CSA	<b>Y</b>
CE	<b>Y</b>		

**Technical Specifications**

Electrical Type	<b>Shaded Pole</b>	Starting Method	<b>Across The Line</b>
Poles	<b>4</b>	Rotation	<b>Counterclockwise/Clockwise</b>
Mounting	<b>Rigid Base</b>	Drive End Bearing	<b>Ball</b>
Opp Drive End Bearing	<b>Ball</b>	Frame Material	<b>Rolled Steel</b>
Shaft Type	<b>Flat</b>	Overall Length	<b>10.34 in</b>
Frame Length	<b>7.13 in</b>	Shaft Diameter	<b>0.500 in</b>
Shaft Extension	<b>1.50 in</b>		

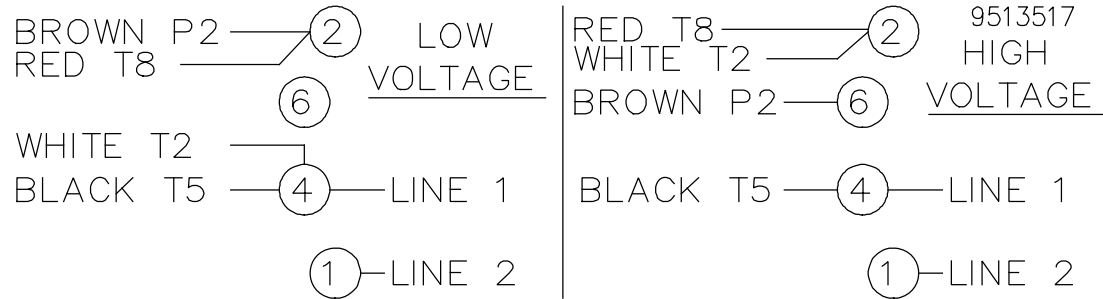
This is an uncontrolled document once printed or downloaded and is subject to change without notice. Date Created:30/10/2019

SS404232



DASH	FR	C	DASH	FR	C
625	48	9.84	725	48	10.84
650	48	10.09	750	48	11.09
675	48	10.34	775	48	11.34
700	48	10.59	800	48	11.59

		TOLERANCES UNLESS SPECIFIED		REGAL™ Regal Beloit America, Inc.		DRAWN AS 11/21/16		
		DEC.	INCHES			CHK	PVR 11/21/16	
		.X	±.1	TITLE OUTLINE 48 FRAME		APPD		
		.XX	±.03			SCALE 1:1		
		.XXX	±.005			REF SS404128		
A	CREATED NEW DRAWING	AS 11/21/16	PVR	.XXXX	±.0005	FMF		
NO.	REVISION	BY & DATE	CHK	ANG	±7'30"	PREV		
THIS DRAWING IN DESIGN AND DETAIL IS OUR PROPERTY AND MUST NOT BE USED EXCEPT IN CONNECTION WITH OUR WORK ALL RIGHTS OF DESIGN AND INVENTION ARE RESERVED THIS IS AN ELECTRONICALLY GENERATED DOCUMENT - DO NOT SCALE THIS PRINT			RFP	CAD FILE SS404232		SIZE A	DRAWING NO. PAGE 1 OF 1 SS404232	REV. A
			DIST	WP				



ROTATION CCW-OPE TO REVERSE EITHER VOLTAGE  
 INTERCHANGE BLACK(T5) WITH RED(T8) LEADS

				TOLERANCES UNLESS SPECIFIED			DRAWN TOM 06-21-1988			
				DEC.	INCHES		CHK	GK	06-21-1988	
				.X	±.1		APPD	FG	06-21-1988	
3	ADDED T MARKINGS	DS	07/19/2018	VC	.XX ±.02	TITLE CONNECTION DIAGRAM	SCALE 1=1			
2	REDRAWN IN AUTOCAD	TAT	10-22-2004	ML	.XXX ±.005		REF			
1	NEW DRAWING	TOM	06-24-1988		.XXXX ±.0005		MAT'L. FMF			
NO.	REVISION	BY & DATE	CHK	ANG	±7'30"	FINISH	PREV			
THIS DRAWING IN DESIGN AND DETAIL IS OUR PROPERTY AND MUST NOT BE USED EXCEPT IN CONNECTION WITH OUR WORK ALL RIGHTS OF DESIGN AND INVENTION ARE RESERVED THIS IS AN ELECTRONICALLY GENERATED DOCUMENT - DO NOT SCALE THIS PRINT				RFP	CAD FILE 9513517		SIZE	DRAWING NO.	PAGE OF	REV.
				DIST			A	9513517	3	3