

PRODUCT INFORMATION PACKET



Model No: C105L

Catalog No: C105L

1/3 HP Fan and Blower HVAC/R Motor, 1 phase, 1800 RPM, 115/230 V, 48 Frame, ODP
Self Cooled Motors



Regal and Century are trademarks of Regal Beloit Corporation or one of its affiliated companies.

©2019 Regal Beloit Corporation, All Rights Reserved. MC017097E

REGAL



Nameplate Specifications

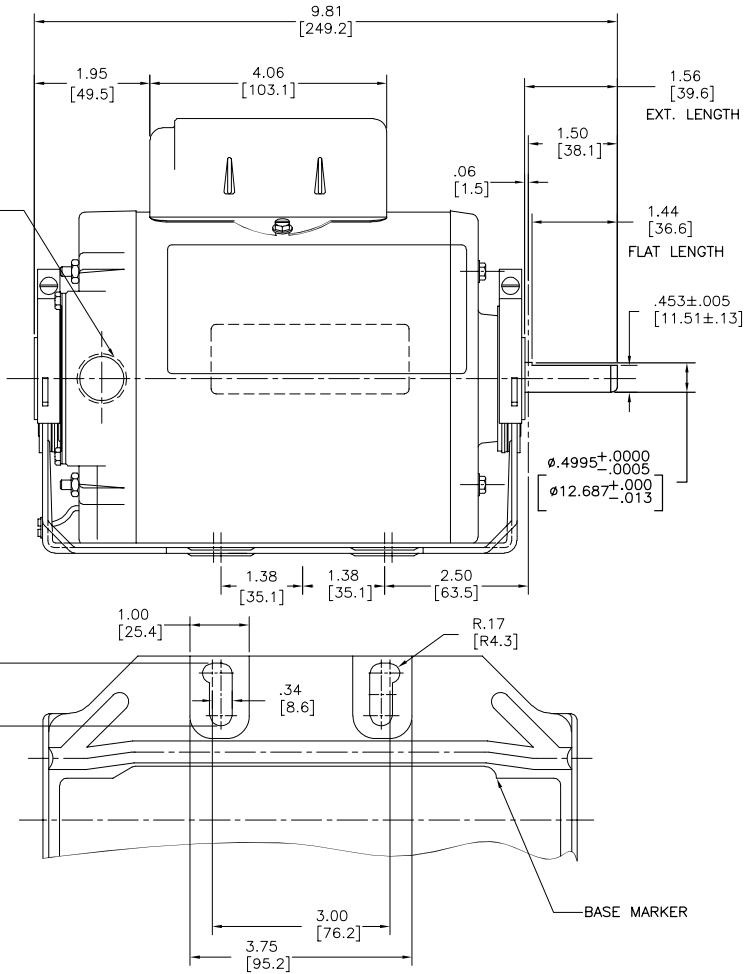
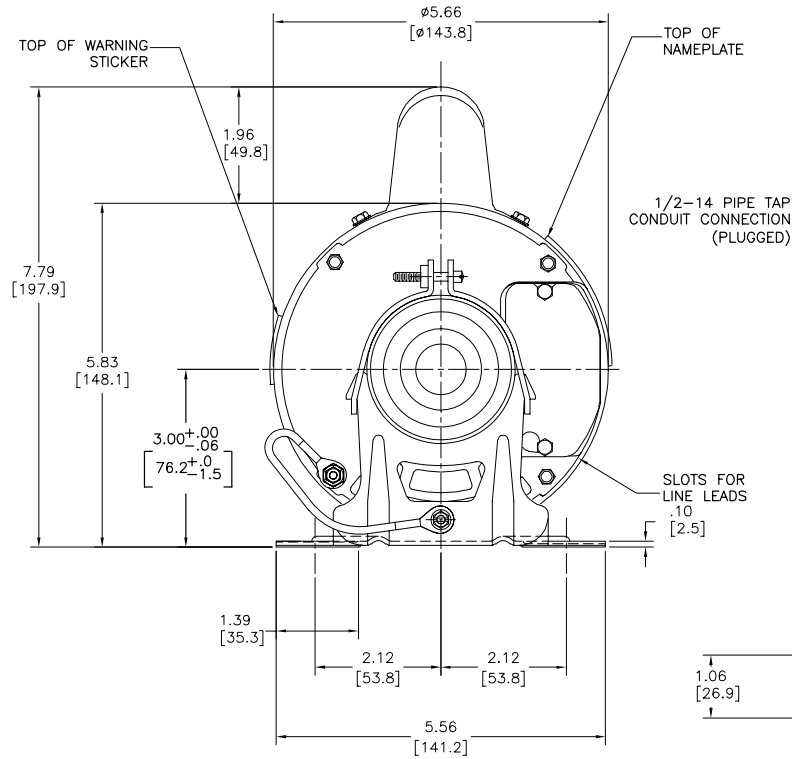
Output HP	1/3 Hp	Output KW	0.25 kW
Frequency	60 Hz	Voltage	115/230 V
Current	5.68/2.84 A	Speed	1725 rpm
Service Factor	1.35	Phase	1
Duty	Continuous	Insulation Class	B
Frame	48	Enclosure	Open Drip Proof
Thermal Protection	None	Ambient Temperature	40 °C
UL	No	CSA	Y
CE	N		

Technical Specifications

Electrical Type	Capacitor Start Induction Run	Starting Method	Across The Line
Poles	4	Rotation	Reversible
Mounting	Resilient Base	Drive End Bearing	Ball
Opp Drive End Bearing	Ball	Frame Material	Rolled Steel
Shaft Type	Flat	Overall Length	9.86 in
Frame Length	5.44 in	Shaft Diameter	0.500 in
Shaft Extension	1.62 in		

This is an uncontrolled document once printed or downloaded and is subject to change without notice. Date Created:30/10/2019

REV	ECO	REV BY	DATE	APPD	DATE
G	0025577	H.ZHANG	04-24-2012	B.SHEN	04-24-2012



NOTES:
1. ALL DIMENSIONS ARE REFERENCE UNLESS OTHERWISE SPECIFIED.

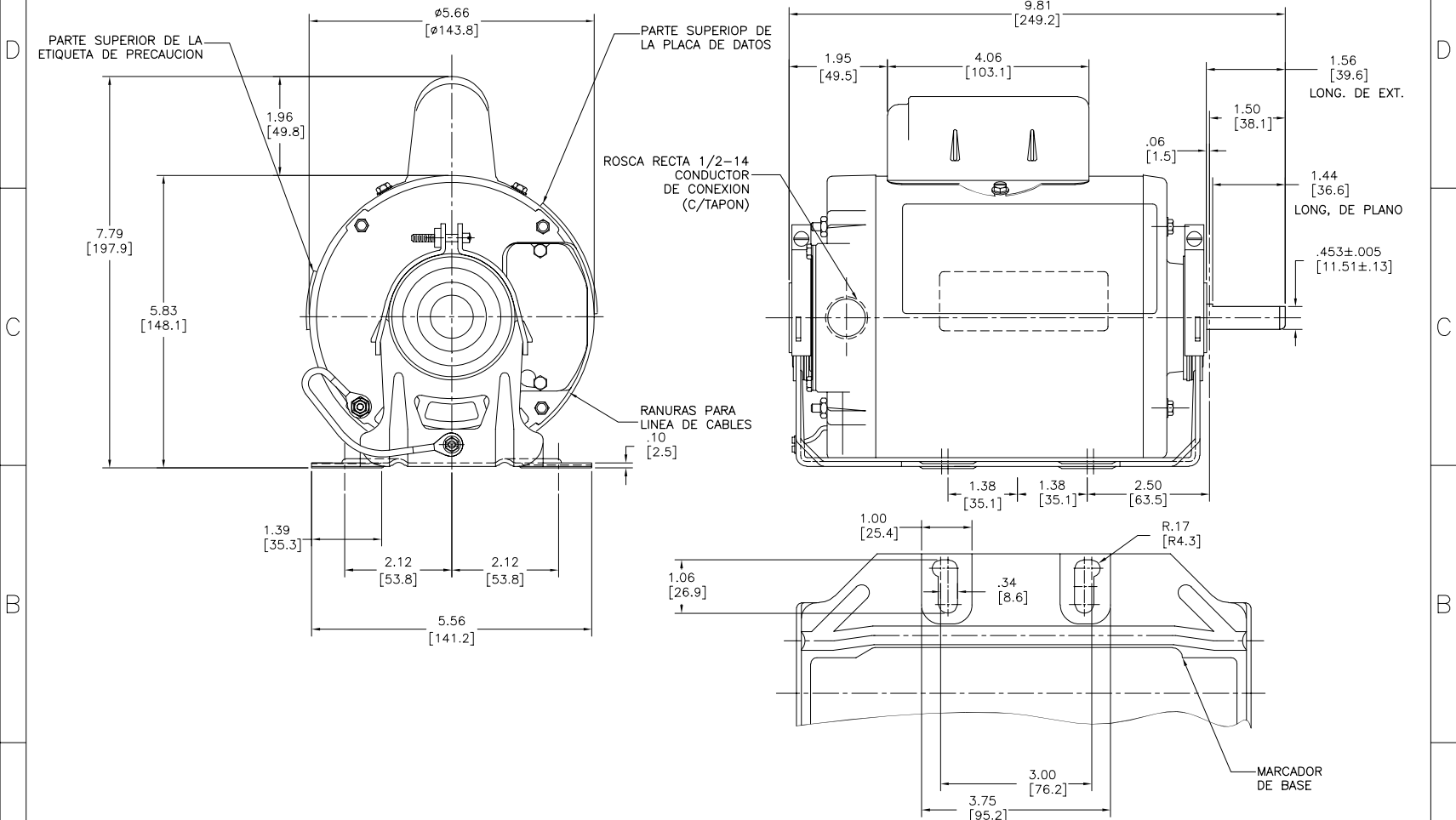
GEOMETRIC CHARACTERISTICS & SYMBOLS	
▭	FLATNESS
—	STRAIGHTNESS
∠	ANGULARITY
⊥	PERPENDICULARITY (SQUARENESS)
∥	PARALLELISM
○	ROUNDNESS (CIRCULARITY)
⊘	CYLINDRICITY
⌒	PROFILE OF ANY SURFACE
⌒	PROFILE OF ANY LINE
↗	RUNOUT
⊕	TRUE POSITION
⊙	CONCENTRICITY
≡	SYMMETRY
ASME Y14.5M 1994	

UNLESS OTHERWISE SPECIFIED DIM. TOLERANCES ARE AS FOLLOWS:
 INCH X XX XXX XXXX
 ±.1 ±.02 ±.005 ±.0005
 mm ±0.5 ±0.13 ±0.013
 ANG. ±.50 DEG
 REMOVE BURRS & BREAK SHARP EDGES:
 INCH .003-.015 mm 0.1-.04
 CORNER FILLETS TO:
 INCH .020 mm 0.5
 MACHINE SURFACES:
 INCH 125 mm 3.2
 METRIC DIMS. SHOWN IN [BRACKETS]

DR BY:	SH	11-08-2007
APPD:		
THIRD ANGLE PROJECTION	EDS DATE 11-11-2011	FORMAT REV G
CONFIDENTIAL: THIS DRAWING AND ITS INFORMATION ARE THE EXCLUSIVE AND CONFIDENTIAL PROPERTY OF REGAL-BELOIT CORPORATION AND ARE NOT TO BE DISCLOSED, DUPLICATED, DISTRIBUTED OR OTHERWISE USED WITHOUT THE WRITTEN CONSENT OF REGAL-BELOIT CORPORATION. -ALL RIGHTS RESERVED.		

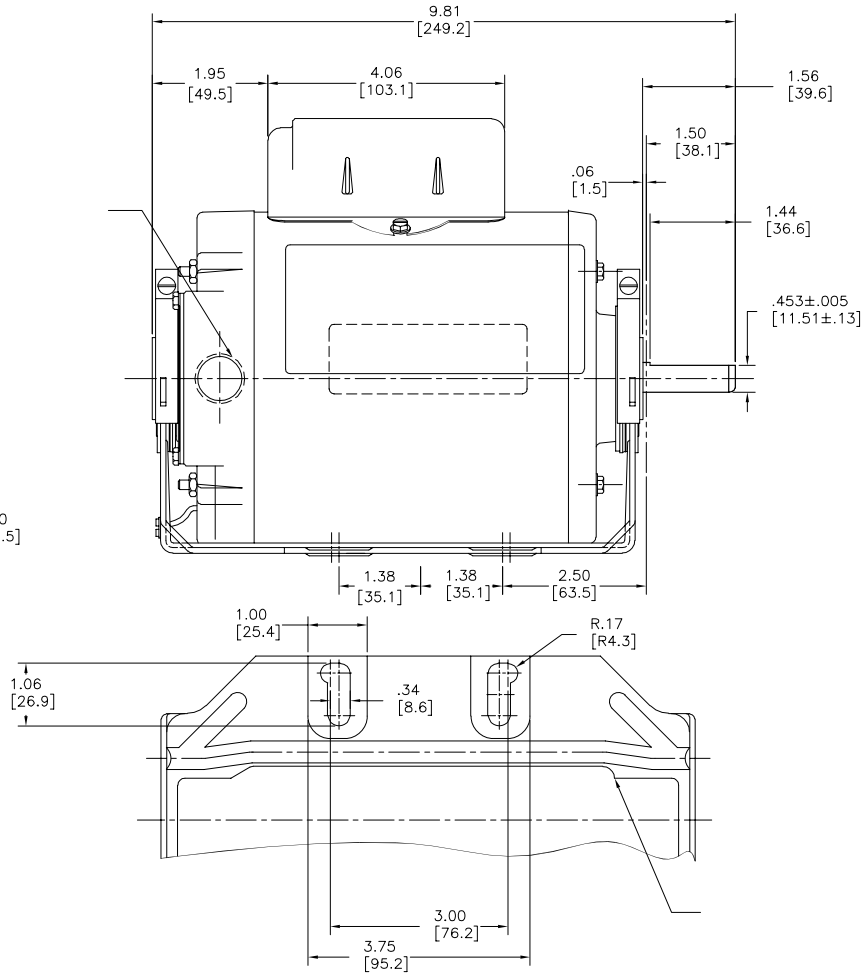
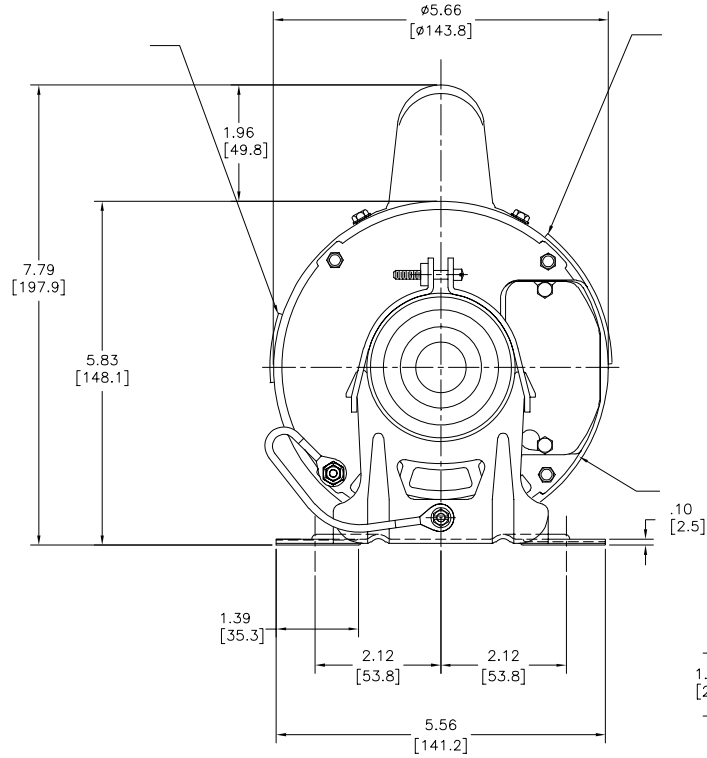
DESCRIPTION	
OUTLINE	
SIZE	DWG NO
C	C105L
SCALE	SHEET
NONE	1

REVISION:	ECO	REVISADO POR:	FECHA:	APROBADO POR:	FECHA:
G	0025577	H.ZHANG	04-24-2012	B.SHEN	04-24-2012



CARACTERISTICAS DE GEOMETRIA Y SIMBOLOS ▽ PLANICIDAD — RECTITUD ∠ ANGULARIDAD ⊥ PERPENDICULARIDAD (A ESQUADRA) // PARALELISMO ○ REDONDEZ (CIRCULARIDAD) ∅ CILINDRICIDAD ~ PERFIL DE CUALQUIER SUPERFICIE ~ PERFIL DE CUALQUIER LINEA † VARIACION ⊕ POSICION REAL ⊙ CONCENRICIDAD = SIMETRIA	A MENOS QUE SE ESPECIFIQUE DE OTRA MANERA, LAS TOLERANCIAS DE LAS DIMS. SON LAS SIGUIENTES: PULG ±.1 ±.02 ±.005 ±.0005 mm ±0.5 ±0.13 ±0.013 ANG. ±50 GRADOS ELIMINAR REBABAS Y ORILLAS FILOSAS DEL BORDE. FILETEAR ESQUINA: PULG .020 mm 0.5 MAQUINAR SUPERFICIES PULG 125 mm 3.2 DIMS METRICAS MOSTRADAS [PARENTESIS]	DIBUJADO POR: SH	11-08-2007	
		APROBADO POR:	FECHA EDS: 11-11-2011 REV. FORMATO: G	
CONFIDENCIAL: ESTE DIBUJO Y SU INFORMACION SON PROPIEDAD DE USO EXCLUSIVO Y CONFIDENCIAL DE REGAL-BELOIT CORPORATION, Y NO DEBERAN SER REVELADOS, DUPLICADOS, DISTRIBUIDOS O USARSE DE OTRA MANERA SIN EL CONSENTIMIENTO ESCRITO DE REGAL-BELOIT CORPORATION. -TODOS LOS DERECHOS RESERVADOS.		TERCER ANGULO DE PROYECCION	TAMANO: C	NUMERO DE DIBUJO: C105L
		ESCALA: NONE	HOJA: 1	

版本	ECO	编制	日期	批准	日期
G	0025577	H.ZHANG	04-24-2012	B.SHEN	04-24-2012



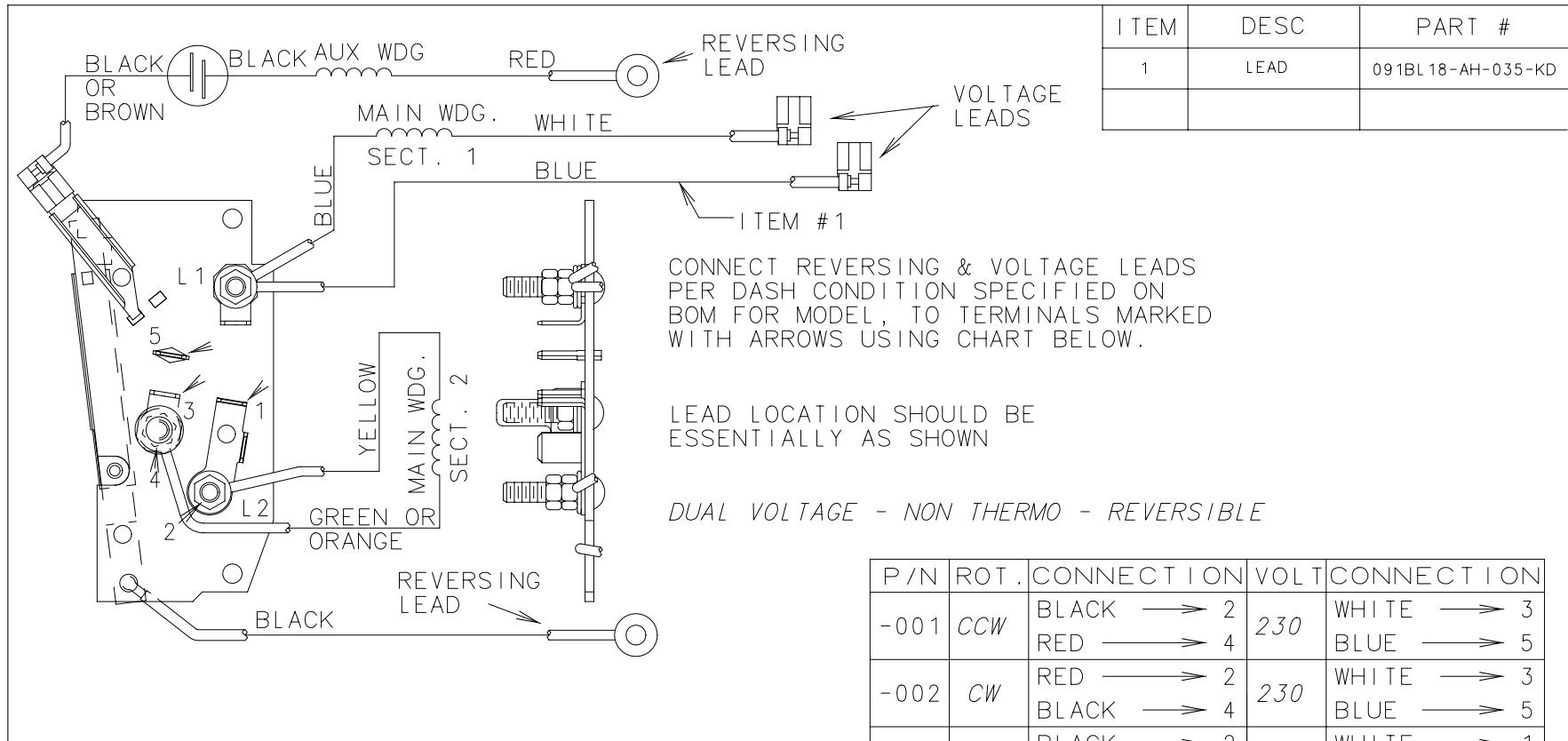
形位公差	除另有注明
□ 平面度	尺寸公差如下:
— 直线度	英寸 X XX XXX XXXX
∠ 倾斜度	毫米 ±.1 ±.02 ±.005 ±.0005
⊥ 垂直度	英寸 ±0.5 ±0.13 ±0.013
∥ 平行度	角度 ±.50 度
○ 圆度	清理毛刺和尖棱
⊙ 圆跳动	英寸 .003-.015 毫米 0.1-0.4
⊖ 面轮廓度	内圆角
⌒ 线轮廓度	英寸 .020 毫米 0.5
⊕ 圆跳动	表面粗糙度
⊖ 位置度	英寸 125 米制 3.2
⊖ 同轴度	米制尺寸显示在 []
⊖ 对称度	

ASME Y14.5M 1994

绘图:	SH	11-08-2007
批准:		
第三角投影	图纸格式发布日期 11-11-2011	图纸格式版本 G
机密: 本图纸及相关信息所有权归REGAL-BELOIT CORPORATION. 未经REGAL-BELOIT CORPORATION书面授权, 不得泄露、复制、传播或作其他用途。—版权所有		



名称	OUTLINE	
图幅	C	图号 C105L
比例	NONE	页号 1



CONNECT REVERSING & VOLTAGE LEADS PER DASH CONDITION SPECIFIED ON BOM FOR MODEL, TO TERMINALS MARKED WITH ARROWS USING CHART BELOW.

LEAD LOCATION SHOULD BE ESSENTIALLY AS SHOWN

DUAL VOLTAGE - NON THERMO - REVERSIBLE

P/N	ROT.	CONNECTION	VOLT	CONNECTION
-001	CCW	BLACK → 2	230	WHITE → 3
		RED → 4		BLUE → 5
-002	CW	RED → 2	230	WHITE → 3
		BLACK → 4		BLUE → 5
-003	CCW	BLACK → 2	115	WHITE → 1
		RED → 4		BLUE → 3
-004	CW	RED → 2	115	WHITE → 1
		BLACK → 4		BLUE → 3

7/26/02	REVISE AND REDRAW ADD ITEM 1	MS	MG	0218082
DATE	CHANGED FROM	ENG	DRF	NOTICE
		APPROVED		

- GEOMETRIC CHARACTERISTICS & SYMBOLS
- FLATNESS
 - STRAIGHTNESS
 - ∠ ANGULARITY
 - ⊥ PERPENDICULARITY (SQUARENESS)
 - // PARALLELISM
 - ROUNDNESS (CIRCULARITY)
 - ⊘ CYLINDRICITY
 - △ PROFILE OF ANY SURFACE
 - ⊖ PROFILE OF ANY LINE
 - ↻ RUNOUT
 - ⊕ TRUE POSITION
 - ◎ CONCENTRICITY

UNLESS OTHERWISE SPECIFIED DIMENSION TOLERANCES ARE AS FOLLOWS

.X .XX .XXX
INCHES ±.02 ±.005
METRIC ±.5 ±.13

ANGLES ±.50 DEG
REMOVE BURRS AND BREAK SHARP EDGES .003-.015, CORNER FILLETS TO .020 MACHINE SURFACES 125✓

CONFIDENTIAL: THIS DRAWING AND ITS INFORMATION ARE THE EXCLUSIVE AND CONFIDENTIAL PROPERTY OF A.O. SMITH CORP. AND ARE NOT TO BE DISCLOSED, DUPLICATED, DISTRIBUTED OR OTHERWISE USED WITHOUT THE WRITTEN CONSENT OF A.O. SMITH CORP.

MATERIAL -
PROCESS -

DRAWN GRASTY 07/24/02
APPROVED -
REFERENCE -
APPLICATION -

A.O. SMITH A DIVISION OF A.O. SMITH CORPORATION
ELECTRICAL PRODUCTS COMPANY
TIPP CITY, OHIO
COPYRIGHT 1995

DESCRIPTION TYPE FJ/FZ CONNECTION DIAG. EXTERNAL

SIZE **A** PART NUMBER 619436