

PRODUCT INFORMATION PACKET



Model No: C024

Catalog No: C024

3/4 HP OEM Replacement (Except HVAC) Motor, 1 phase, 1200 RPM, 208-230 V, 56Y Frame, ODP
OEM Replacement (Except HVAC) Motors



Regal and Century are trademarks of Regal Beloit Corporation or one of its affiliated companies.

©2019 Regal Beloit Corporation, All Rights Reserved. MC017097E

REGAL



Nameplate Specifications

Output HP	3/4 Hp	Output KW	0.56 kW
Frequency	60 Hz	Voltage	208-230 V
Current	6.0 A	Speed	1075 rpm
Service Factor	1	Phase	1
Duty	Continuous	Insulation Class	B
Frame	K56Y	Enclosure	Open Drip Proof
Thermal Protection	Thermally Protected	Ambient Temperature	40 °C
UL	Recognized	CSA	Y
CE	N		

Technical Specifications

Electrical Type	Permanent Split Capacitor, Single Or Dual Voltage	Starting Method	Across The Line
Poles	6	Rotation	Counterclockwise
Mounting	Cushion Base	Drive End Bearing	Ball
Opp Drive End Bearing	Ball	Frame Material	Rolled Steel
Shaft Type	Flat	Overall Length	24.70 in
Frame Length	5.50 in	Shaft Diameter	0.665 in
Shaft Extension	7.5 in		

This is an uncontrolled document once printed or downloaded and is subject to change without notice. Date Created:04/11/2019

GROUP	TYPE	FRAME	"C"	(BS)	(HUB-TO-HUB)
-01	CX	K56Z	24.70/24.30	5.37	9.50

REV	REFERENCE ECH	REFERENCE PROJECT	REV BY	DATE	APPD	DATE
F		01274601	marque	11-15-2005	marque	11-15-2005

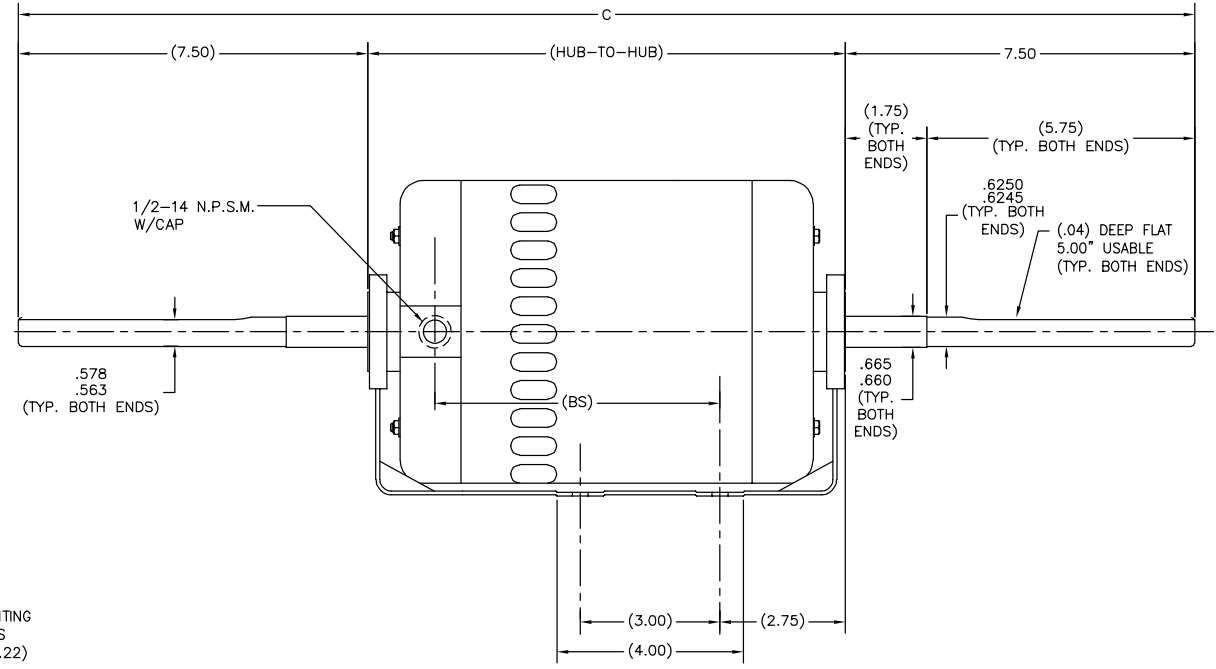
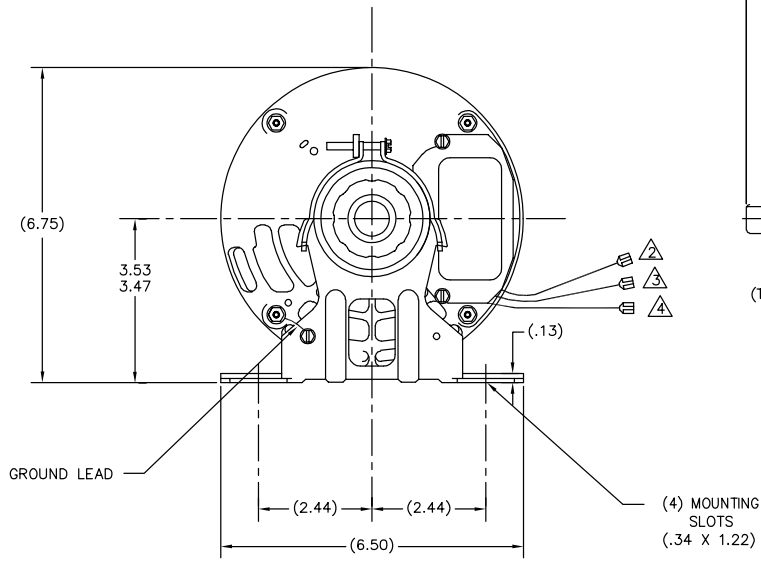
NOTES (1) ALL DIMENSIONS SHOWN IN PARENTHESIS ARE REFERENCE DIMENSIONS. ALL OTHER DIMENSIONS ARE TOLERANCED PER THE FOLLOWING CHART UNLESS OTHERWISE SPECIFIED.

"C" DIM. = +/- .055
 SHAFT EXT. = +/- .034
 LEAD LENGTHS = +/- 1.00
 EXTENDED THRU-BOLTS = +/- .050
 ANGULAR DIMS. = +/- 2 DEGS.

(3) LINE LEADS (RED, BLACK, AND BROWN) ARE TO BE 22.00" LONG + 2.00 - .00 FROM LEAD EXIT TO END OF TERMINALS.

LINE LEADS ARE TO EXIT MOTOR VIA CORD HOLE NOTCH.

LINE LEADS ARE TO BE TERMINATED WITH STRAIGHT ON FEMALE TYPE TERMINALS.



GEOMETRIC CHARACTERISTICS & SYMBOLS □ FLATNESS — STRAIGHTNESS ∠ ANGULARITY ⊥ PERPENDICULARITY (SQUARENESS) ∥ PARALLELISM ○ ROUNDNESS (CIRCULARITY) ⌀ CIRCULARITY ~ PROFILE OF ANY SURFACE ~ PROFILE OF ANY LINE ↗ RUNOUT * TRUE POSITION ⊙ CONCENTRICITY = SYMMETRY	UNLESS OTHERWISE SPECIFIED DIM. TOLERANCES ARE AS FOLLOWS: X XX XXX XXXX INCH ±.1 ±.02 ±.005 ±.0005 mm ±0.5 ±0.13 ±0.015 ANG. ±.50 DEG REMOVE BURRS & BREAK SHARP EDGES: INCH .003-.015 mm 0.1-0.4 CORNER FILLETS TO: INCH .020 mm 0.5 MACHINE SURFACES: INCH 125 mm 32 METRIC DIMS. SHOWN IN [BRACKETS]	DR BY: HEU	01/17/1990	ELECTRICAL PRODUCTS COMPANY A DIVISION OF A. O. SMITH CORPORATION EST. 1965
		APPD: MH	01-25-1990	
THIRD ANGLE PROJECTION		EDS DATE	FORMAT REV B	CONFIDENTIAL: THIS DRAWING AND ITS INFORMATION ARE THE EXCLUSIVE AND CONFIDENTIAL PROPERTY OF A.O. SMITH CORP. AND ARE NOT TO BE DISCLOSED, DUPLICATED, DISTRIBUTED OR OTHERWISE USED WITHOUT THE WRITTEN CONSENT OF A.O. SMITH CORP. -ALL RIGHTS RESERVED.
		SIZE: D	DWG NO: 178682	SHEET 1

GROUP	TYPE	FRAME	"C"	(BS)	(HUB-TO-HUB)
-01	CX	K56Z	24.70/24.30	5.37	9.50

REV	REFERENCE EGN	REFERENCE PROJECT	REV BY	DATE	APPD	DATE
F		01274601	marque	11-15-2005	marque	11-15-2005

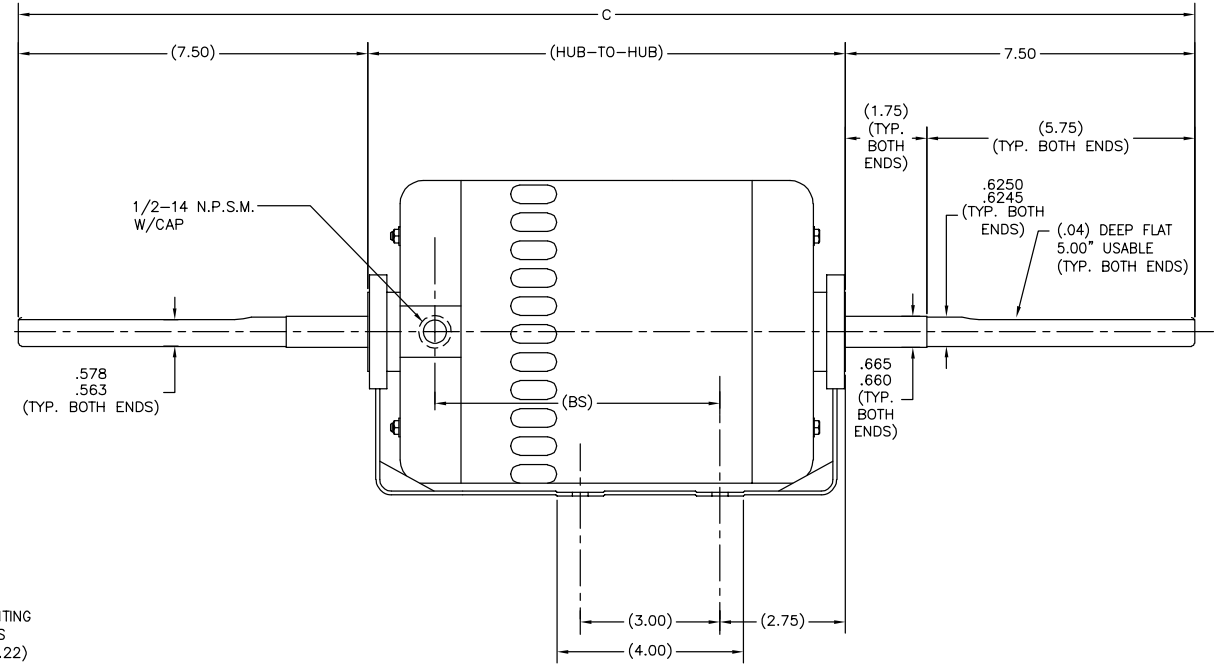
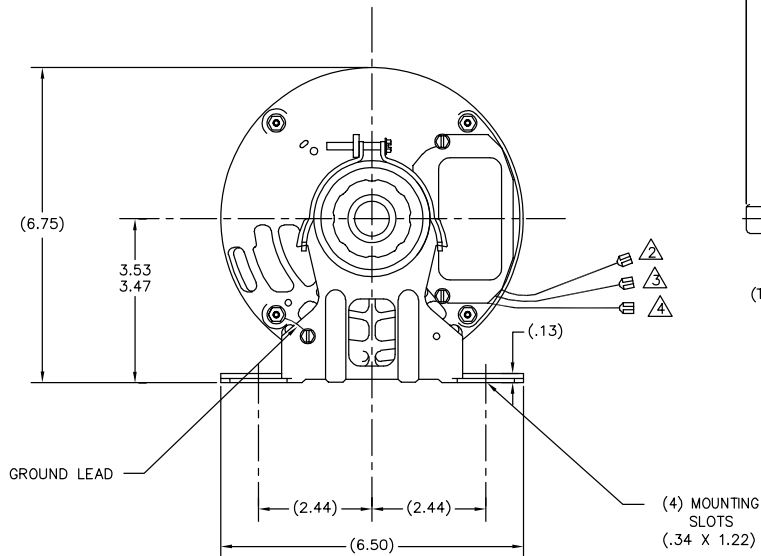
NOTES (1) ALL DIMENSIONS SHOWN IN PARENTHESIS ARE REFERENCE DIMENSIONS. ALL OTHER DIMENSIONS ARE TOLERANCED PER THE FOLLOWING CHART UNLESS OTHERWISE SPECIFIED.

"C" DIM. = +/- .055
 SHAFT EXT. = +/- .034
 LEAD LENGTHS = +/- 1.00
 EXTENDED THRU-BOLTS = +/- .050
 ANGULAR DIMS. = +/- 2 DEGS.

(3) LINE LEADS (RED, BLACK, AND BROWN) ARE TO BE 22.00" LONG + 2.00 - .00 FROM LEAD EXIT TO END OF TERMINALS.

LINE LEADS ARE TO EXIT MOTOR VIA CORD HOLE NOTCH.

LINE LEADS ARE TO BE TERMINATED WITH STRAIGHT ON FEMALE TYPE TERMINALS.



GEOMETRIC CHARACTERISTICS & SYMBOLS □ FLATNESS — STRAIGHTNESS ∠ ANGULARITY ⊥ PERPENDICULARITY (SQUARENESS) ∥ PARALLELISM ○ ROUNDNESS (CIRCULARITY) ⌀ CIRCULARITY ~ PROFILE OF ANY SURFACE ~ PROFILE OF ANY LINE ↗ RUNOUT * TRUE POSITION ⊙ CONCENTRICITY = SYMMETRY	UNLESS OTHERWISE SPECIFIED DIM. TOLERANCES ARE AS FOLLOWS: X XX XXX XXXX INCH ±.1 ±.02 ±.005 ±.0005 mm .0.5 .013 .0015	DR BY: HEU	01/17/1990	ELECTRICAL PRODUCTS COMPANY A DIVISION OF A. O. SMITH CORPORATION 178682
		APPD: MH	01-25-1990	
THIRD ANGLE PROJECTION		EDS DATE: 01-25-1990 FORMAT REV B		SIZE: D DWG NO: 178682 SCALE: NONE SHEET: 1
CONFIDENTIAL: THIS DRAWING AND ITS INFORMATION ARE THE EXCLUSIVE AND CONFIDENTIAL PROPERTY OF A.O. SMITH CORP. AND ARE NOT TO BE DISCLOSED, DUPLICATED, DISTRIBUTED OR OTHERWISE USED WITHOUT THE WRITTEN CONSENT OF A.O. SMITH CORP. -ALL RIGHTS RESERVED.				

GROUP	TYPE	FRAME	"C"	(BS)	(HUB-TO-HUB)
-01	CX	K56Z	24.70/24.30	5.37	9.50

REV	REFERENCE ECN	REFERENCE PROJECT	REV BY	DATE	APPD	DATE
F		01274601	marque	11-15-2005	marque	11-15-2005

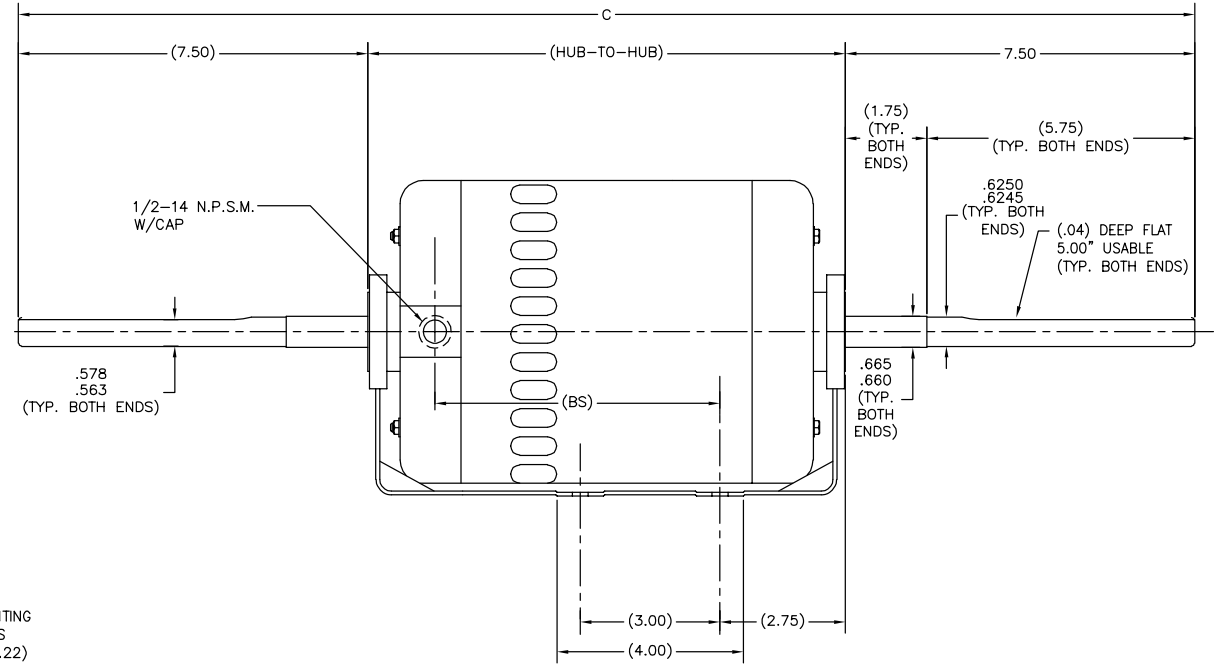
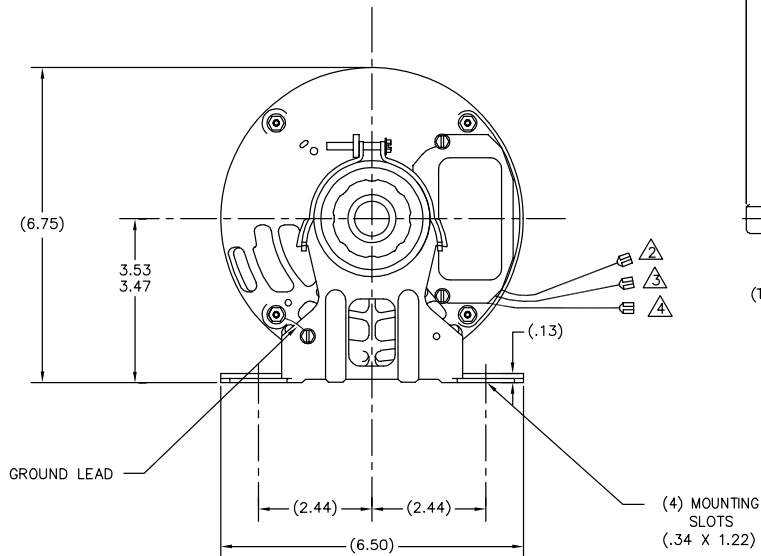
NOTES (1) ALL DIMENSIONS SHOWN IN PARENTHESIS ARE REFERENCE DIMENSIONS. ALL OTHER DIMENSIONS ARE TOLERANCED PER THE FOLLOWING CHART UNLESS OTHERWISE SPECIFIED.

"C" DIM. = +/- .055
 SHAFT EXT. = +/- .034
 LEAD LENGTHS = +/- 1.00
 EXTENDED THRU-BOLTS = +/- .050
 ANGULAR DIMS. = +/- 2 DEGS.

(3) LINE LEADS (RED, BLACK, AND BROWN) ARE TO BE 22.00" LONG + 2.00 - .00 FROM LEAD EXIT TO END OF TERMINALS.

LINE LEADS ARE TO EXIT MOTOR VIA CORD HOLE NOTCH.

LINE LEADS ARE TO BE TERMINATED WITH STRAIGHT ON FEMALE TYPE TERMINALS.



GEOMETRIC CHARACTERISTICS & SYMBOLS □ FLATNESS — STRAIGHTNESS ∠ ANGULARITY ⊥ PERPENDICULARITY (SQUARENESS) ∥ PARALLELISM ○ ROUNDNESS (CIRCULARITY) ⌀ CIRCULARITY ▽ PROFILE OF ANY SURFACE ~ PROFILE OF ANY LINE ↗ RUNOUT ★ TRUE POSITION ⊙ CONCENTRICITY ≡ SYMMETRY	UNLESS OTHERWISE SPECIFIED DIM. TOLERANCES ARE AS FOLLOWS: X XX XXX XXXX INCH ±.1 ±.02 ±.005 ±.0005 mm .0.5 .013 .0015	DR BY: HEU	01/17/1990	ELECTRICAL PRODUCTS COMPANY A DIVISION OF A.O. SMITH CORPORATION 178682
		APPD: MH	01-25-1990	
THIRD ANGLE PROJECTION		EDS DATE: 01-25-1990 FORMAT REV B		SIZE: D DWG NO: 178682 SCALE: NONE SHEET: 1
CONFIDENTIAL: THIS DRAWING AND ITS INFORMATION ARE THE EXCLUSIVE AND CONFIDENTIAL PROPERTY OF A.O. SMITH CORP. AND ARE NOT TO BE DISCLOSED, DUPLICATED, DISTRIBUTED OR OTHERWISE USED WITHOUT THE WRITTEN CONSENT OF A.O. SMITH CORP. -ALL RIGHTS RESERVED.				