

# PRODUCT INFORMATION PACKET



Model No: B701  
Catalog No: B701  
1.0 HP Fan and Blower HVAC/R Motor, 1 phase, 3600 RPM, 208-230/115 V, 56 Frame, ODP  
Self Cooled Motors



Regal and Century are trademarks of Regal Beloit Corporation or one of its affiliated companies.  
©2019 Regal Beloit Corporation, All Rights Reserved. MC017097E

REGAL



**Nameplate Specifications**

Output HP	1.0 Hp	Output KW	0.75 kW
Frequency	60 Hz	Voltage	208-230/115 V
Current	6.6-6.0/12.0 A	Speed	3450 rpm
Service Factor	1.25	Phase	1
Duty	Continuous	Insulation Class	A
Frame	K56	Enclosure	Drip Proof
Thermal Protection	Thermally Protected	Ambient Temperature	40 °C
UL	Recognized	CSA	Y
CE	N		

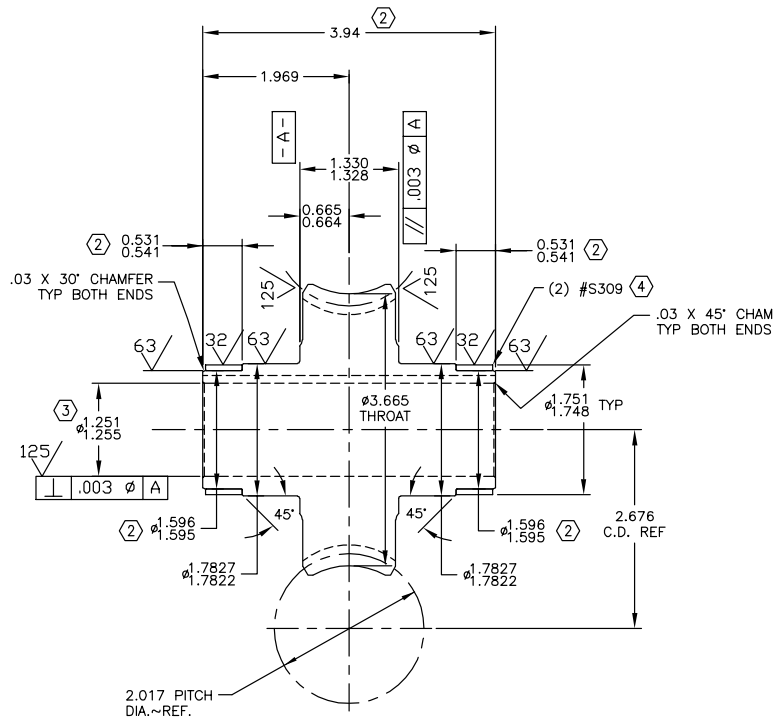
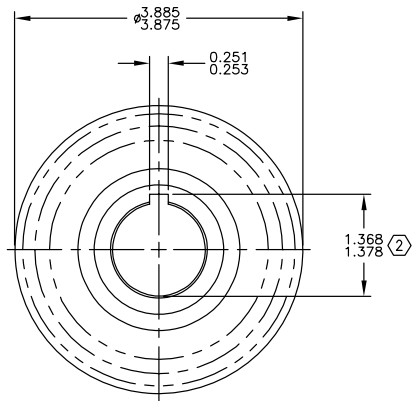
**Technical Specifications**

Electrical Type	Capacitor Start, Induction Run, Single Or Dual Voltage	Starting Method	Across The Line
Poles	2	Rotation	Reversible Counterclockwise
Mounting	Cushion Base	Drive End Bearing	Sleeve
Opp Drive End Bearing	Sleeve	Frame Material	Rolled Steel
Shaft Type	Keyed	Overall Length	11.44 in
Frame Length	5.50 in	Shaft Diameter	0.625 in
Shaft Extension	1.94 in		

This is an uncontrolled document once printed or downloaded and is subject to change without notice. Date Created:04/11/2019

1 2 3 4

PART NO.  
B701  
ALT. DESC. OR EDP NO.  
B701  
ANNF SEQUENCE NO. 00142635



**WORM GEAR DATA**

- No. OF TEETH \_\_\_\_\_ 20
- PITCH DIA. \_\_\_\_\_ 3.333
- NORM. DIAMETRAL PITCH \_\_\_\_\_ 6
- NORM. PRESSURE ANGLE \_\_\_\_\_ 14.5°
- ADDENDUM \_\_\_\_\_ .166
- WHOLE DEPTH, REF. \_\_\_\_\_ .359
- LEAD ANGLE \_\_\_\_\_ 9° 23'
- HAND \_\_\_\_\_ L.H.
- LEAD \_\_\_\_\_ 1.0472
- THROAT DIA. \_\_\_\_\_ 3.665
- AGMA QUALITY \_\_\_\_\_ 6

**WORM DATA**

- PITCH DIA. \_\_\_\_\_ 2.017
- HAND \_\_\_\_\_ L.H.
- No. OF THREADS \_\_\_\_\_ 1

REF:  
B674-1, B29A-26C, B692

REV.	W.O. NO.	ZONE	DESCRIPTION	BY	DATE	ALL DIMENSIONS IN INCHES UNLESS OTHERWISE SPECIFIED.	THIS PRINT IS CONFIDENTIAL AND IS THE PROPERTY OF DURST, DIV. REGAL-BELOIT CORP.	<b>DURST</b> DIVISION OF REGAL-BELOIT CORP. P.O. BOX 208 BELOIT, WISCONSIN 53511
4	26572	C3	ADDED QTY (2) #309 SLEEVES	JLP	11/1/05	ALLOW 12 FINISH STOCK ON MACHINED SURFACES. FILLETS AND RADI 1/2 MAX. MACHINING TOLERANCES	THIS PRINT SHALL NOT BE USED, COPIED OR REPRODUCED IN WHOLE OR IN PART, NOR SHALL THE CONTENTS BE RECALCULATED IN ANY MANNER TO ANYONE, UNLESS WRITTEN PERMISSION IS OBTAINED FROM DURST, DIV. REGAL-BELOIT CORP.	
3	26491	C3	1.251/1.255 DIA WAS 1.251/1.253	JLP	9/14/05	X ± .030 FRACTION ± 1/64 30X ± 010 ANGLE ± 30' 300X ± .005 125 FINISH	MATERIAL B686, CASTING	
2	26097	C3	ADDED 1.596/1.595 DIA STEP EA SIDE	JLP	7/13/05	MODEL A1021	WHERE USED N/A	
1		N/A	RELEASE TO PRODUCTION	JLP	7/14/04	DRAWN BY JLP	DATE 7/14/04	
							SCALE NONE	THIRD ANGLE PROJECT
							PART NO. B701	SIZE C

SHEET 1 OF 1