

PRODUCT INFORMATION PACKET



Model No: B699
Catalog No: B699
1.0 HP General Purpose Motor, 1 phase, 1200 RPM, 115/230 V, 56 Frame, TEFC
Single Phase TEFC Motors



Regal and Century are trademarks of Regal Beloit Corporation or one of its affiliated companies.
©2019 Regal Beloit Corporation, All Rights Reserved. MC017097E

The REGAL logo is a grey rectangular box with the word 'REGAL' in white, bold, uppercase letters. It is positioned on a blue and black halftone background that runs vertically down the right side of the page.

REGAL



Nameplate Specifications

Output HP	1.0 Hp	Output KW	0.75 kW
Frequency	60 Hz	Voltage	115/230 V
Current	13.6/6.8 A	Speed	1140 rpm
Service Factor	1	Phase	1
Duty	Continuous	Insulation Class	B
Frame	56	Enclosure	Totally Enclosed Fan Cooled
Thermal Protection	Automatic	Ambient Temperature	40 °C
UL	Recognized	CSA	Y
CE	N		

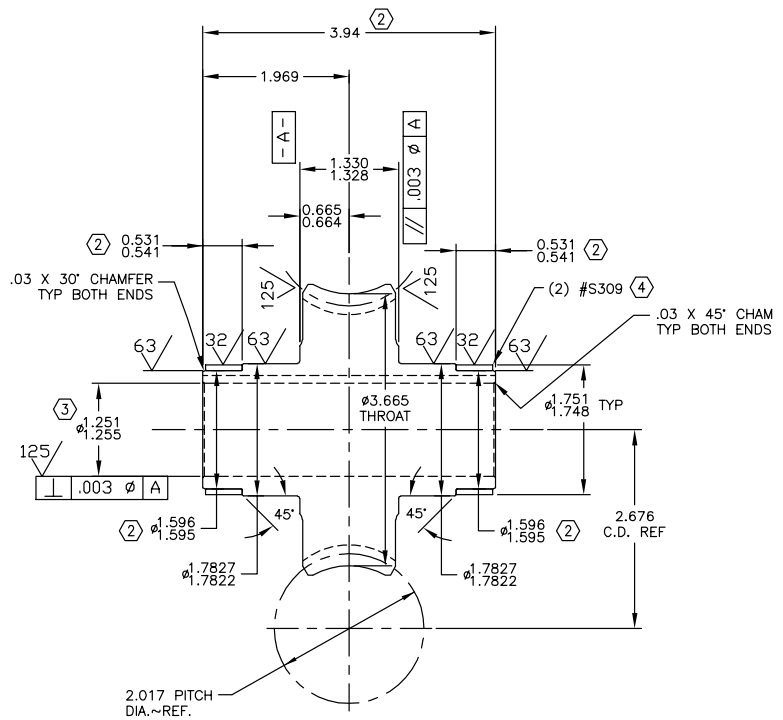
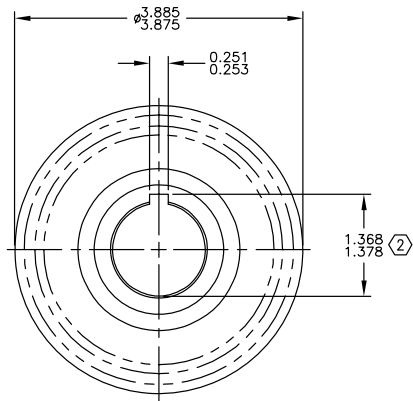
Technical Specifications

Electrical Type	Capacitor Start, Capacitor Run, Single Or Dual Voltage	Starting Method	Across The Line
Poles	6	Rotation	Clockwise/Counterclockwise
Mounting	Resilient Base	Drive End Bearing	Ball
Opp Drive End Bearing	Ball	Frame Material	Rolled Steel
Shaft Type	Keyed	Overall Length	14.11 in
Frame Length	7.50 in	Shaft Diameter	0.625 in
Shaft Extension	1.88 in		

This is an uncontrolled document once printed or downloaded and is subject to change without notice. Date Created:30/10/2019

1 2 3 4

PART NO.
B699
ALT. DESC. OR EDP NO.
B699
ANNF SEQUENCE NO. 00142632



WORM GEAR DATA

No. OF TEETH	20
PITCH DIA.	3.333
NORM. DIAMETRAL PITCH	6
NORM. PRESSURE ANGLE	14.5°
ADDENDUM	.166
WHOLE DEPTH, REF.	.359
LEAD ANGLE	9° 23'
HAND	L.H.
LEAD	1.0472
THROAT DIA.	3.665
AGMA QUALITY	6

WORM DATA

PITCH DIA.	2.017
HAND	L.H.
No. OF THREADS	2

REF:
B674-1, B29-NJ46, B689

REV.	W.O. NO.	ZONE	DESCRIPTION	BY	DATE	ALL DIMENSIONS IN INCHES UNLESS OTHERWISE SPECIFIED.	THIS PRINT IS CONFIDENTIAL AND IS THE PROPERTY OF DURST, DIV. REGAL-BELOIT CORP.	DURST DIVISION OF REGAL-BELOIT CORP. P.O. BOX 208 BELOIT, WISCONSIN 53511
4	26572	C3	ADDED QTY (2) #S309 SLEEVES	JLP	11/1/05	ALLOW 12 FINISH STOCK ON MACHINED SURFACES. FILETS AND RADI 1/2 MAX. MACHINING TOLERANCES X ± .030 FRACTION ± 1/64 .00X ± .010 ANGLE ± 30' .00X ± .005 125 FINISH	THIS PRINT SHALL NOT BE USED, COPIED OR REPRODUCED IN WHOLE OR IN PART, NOR SHALL THE CONTENTS BE RECALCULATED IN ANY MANNER TO ANYONE, UNLESS WRITTEN PERMISSION IS OBTAINED FROM DURST, DIV. REGAL-BELOIT CORP.	
3	26491	C3	1.251/1.255 DIA WAS 1.251/1.253	JLP	9/14/05			MATERIAL
2	26097	C3	ADDED 1.596/1.595 DIA STEP EA SIDE	JLP	7/13/05	MODEL	WHERE USED	B686, CASTING WORM GEAR, FINISHED
1	N/A	N/A	RELEASE TO PRODUCTION	JLP	7/14/04	SCALE	THIRD ANGLE PROJECT	
						DRAWN BY: JLP DATE: 7/14/04	PART NO.: B699	SIZE: C

SHEET 1 OF 1