

PRODUCT INFORMATION PACKET



Model No: B674

Catalog No: B674

1.000 HP General Purpose Farm Duty Motor, 1 phase, 3600 RPM, 208-230/115 V, 56 Frame, TEFC
Single Phase Farm Duty Motors



Regal and Century are trademarks of Regal Beloit Corporation or one of its affiliated companies.

©2019 Regal Beloit Corporation, All Rights Reserved. MC017097E

The REGAL logo consists of the word 'REGAL' in a bold, white, sans-serif font, set within a dark grey, trapezoidal shape that tapers to the right. This logo is positioned on a blue, textured vertical band that runs down the right side of the page.

REGAL



Nameplate Specifications

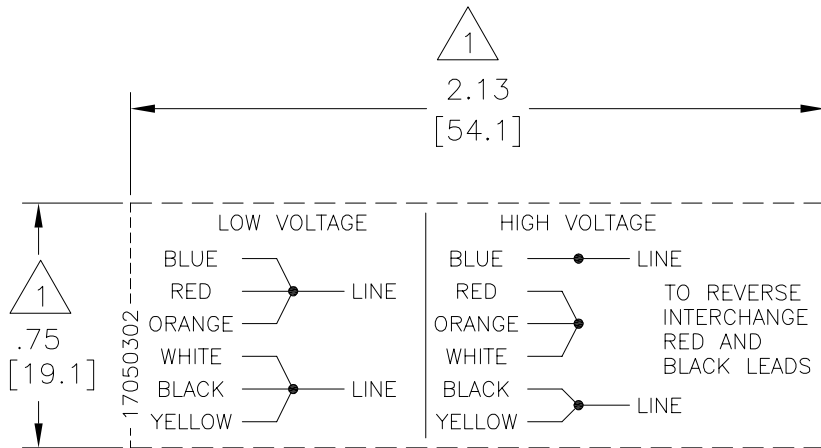
Output HP	1.000 Hp	Output KW	0.75 kW
Frequency	60 Hz	Voltage	208-230/115 V
Current	6.1-6.0/12.0 A	Speed	3450 rpm
Service Factor	1.15	Phase	1
Duty	Continuous	Insulation Class	B
Frame	J56	Enclosure	Totally Enclosed Fan Cooled
Thermal Protection	None	Ambient Temperature	40 °C
UL	Recognized	CSA	Y
CE	N		

Technical Specifications

Electrical Type	Capacitor Start, Induction Run, Single Or Dual Voltage	Starting Method	Across The Line
Poles	2	Rotation	Reversible Counterclockwise
Mounting	Rigid Base	Drive End Bearing	Ball
Opp Drive End Bearing	Ball	Frame Material	Rolled Steel
Shaft Type	Keyed	Overall Length	12.24 in
Frame Length	5.13 in	Shaft Diameter	0.625 in
Shaft Extension	1.94 in		

This is an uncontrolled document once printed or downloaded and is subject to change without notice. Date Created:04/11/2019

REV	ECO	REV BY	DATE	APPD	DATE
Y	ECO-0022098	J. COX	04-24-2012	C. McREYNOLDS	04-24-2012



NOTES:

1. DOTTED BOX REPRESENTS TOTAL PRINTED AREA ALLOWED FOR CONNECTION DIAGRAM TO FIT IN. THIS AREA DOES NOT INCLUDE THE BORDER AROUND THE CONNECTION DIAGRAM. SEE NAMEPLATE DRAWING 170500 OR 170501 FOR LOCATION.
2. DETAILS ARE NOT TO BE COPIED FROM DRAWING, BUT ARE TO BE REPRODUCED FROM ORIGINAL ARTWORK FURNISHED.
3. CHARACTERS ARE TO BE A MINIMUM OF .03[.8] TO .06[1.5] MAXIMUM IN HEIGHT.

GEOMETRIC CHARACTERISTICS & SYMBOLS

- ▭ FLATNESS
- STRAIGHTNESS
- ∠ ANGULARITY
- ⊥ PERPENDICULARITY (SQUARENESS)
- ∥ PARALLELISM
- ROUNDNESS (CIRCULARITY)
- ⊘ CYLINDRICITY
- △ PROFILE OF ANY SURFACE
- ⌒ PROFILE OF ANY LINE
- ↺ RUNOUT
- ⊕ TRUE POSITION
- ⊗ CONCENTRICITY
- ⊖ SYMMETRY

ASME Y14.5M 1994

UNLESS OTHERWISE SPECIFIED
DIM. TOLERANCES ARE AS FOLLOWS:

INCH	±.1	±.02	±.005	±.0005
mm	±0.5	±0.13	±0.013	

ANG. ±.50 DEG
REMOVE BURRS & BREAK SHARP EDGES:
INCH .003-.015 mm 0.1-0.4

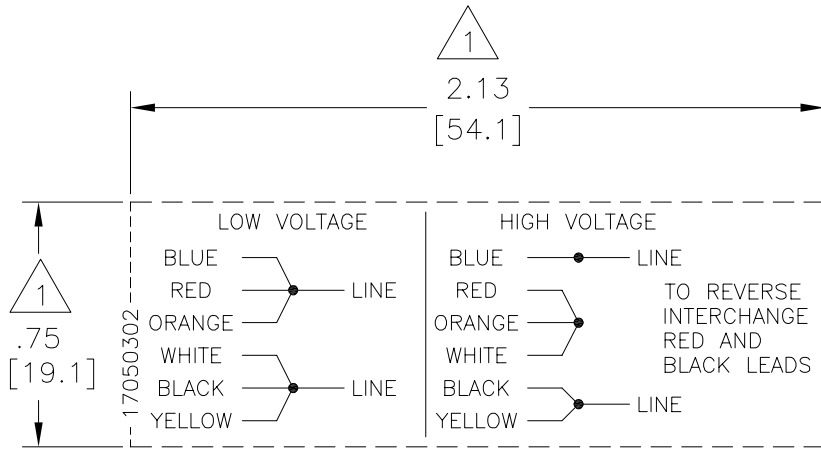
CORNER FILLETS TO:
INCH .020 mm 0.5
MACHINE SURFACES:
INCH 125 mm 3.2

METRIC DIMS. SHOWN IN [BRACKETS]

DR BY:	MLC	03-04-1985
APPD:	MLC	03-13-1985
THIRD ANGLE PROJECTION		EDS DATE 11-11-2011 FORMAT REV G
CONFIDENTIAL: THIS DRAWING AND ITS INFORMATION ARE THE EXCLUSIVE AND CONFIDENTIAL PROPERTY OF REGAL-BELOIT CORPORATION AND ARE NOT TO BE DISCLOSED, DUPLICATED, DISTRIBUTED OR OTHERWISE USED WITHOUT THE WRITTEN CONSENT OF REGAL-BELOIT CORPORATION. -ALL RIGHTS RESERVED.		

DESCRIPTION CONN DIAGRAM-NAMEPLATE	
SIZE A	DWG NO 17050302
SCALE NONE	SHEET 1

REVISION:	ECO	REVISADO POR:	J. COX	FECHA:	04-24-2012	APROBADO POR:	C. McREYNOLDS	FECHA:	04-24-2012
Y	ECO-0022098								



NOTAS:

1. LA CAJA PUNTEADA REPRESENTA EL AREA TOTAL IMPRESA PERMITIDA PARA EL DIAGRAMA DE CONEXION PARA QUE ENCAJE EN ESTA AREA NO INCLUYE EL BORDE AL REDEDOR DEL DIAGRAMA DE CONEXION. VER DIBUJO DE PLACA DE DATOS 170500 O 170501 PARA UBICACION.
2. LOS DETALLES NO DEBEN SER COPIADOS DEL DIBUJO, PERO VA A SER REPRODUCIDA DEL TRABAJO ORIGINAL SUMINISTRADO.
3. LOS CARACTERES SON DE UN MINIMO DE .03[.8] A .06[1.5] EN ALTURA MAXIMA.

CARACTERISTICAS DE GEOMETRIA Y SIMBOLOS

- ∇ PLANICIDAD
- RECTITUD
- ∠ ANGULARIDAD
- ⊥ PERPENDICULARIDAD (A ESCUADRA)
- // PARALELISMO
- REDONDEZ (CIRCULARIDAD)
- ⊘ CILINDRICIDAD
- △ PERFIL DE CUALQUIER SUPERFICIE
- ∩ PERFIL DE CUALQUIER LINEA
- ↗ VARIACION
- ⊕ POSICION REAL
- ⊙ CONCENTRICIDAD
- ⊖ SIMETRIA

ASME Y14.5M 1994

A MENOS QUE SE ESPECIFIQUE DE OTRA MANERA, LAS TOLERANCIAS DE LAS DIMS. SON LAS SIGUIENTES:

PULG ±.1 ±.02 ±.005 ±.0005
 mm ±0.5 ±0.13 ±0.013

ANG. ±.50 GRADOS

ELIMINAR REBABAS Y ORILLAS FILOSAS DEL BORDE.

PULG .003-.015 mm 0.1-0.4

FILETEAR ESQUINA: PULG .020 mm 0.5

MAQUINAR SUPERFICIES

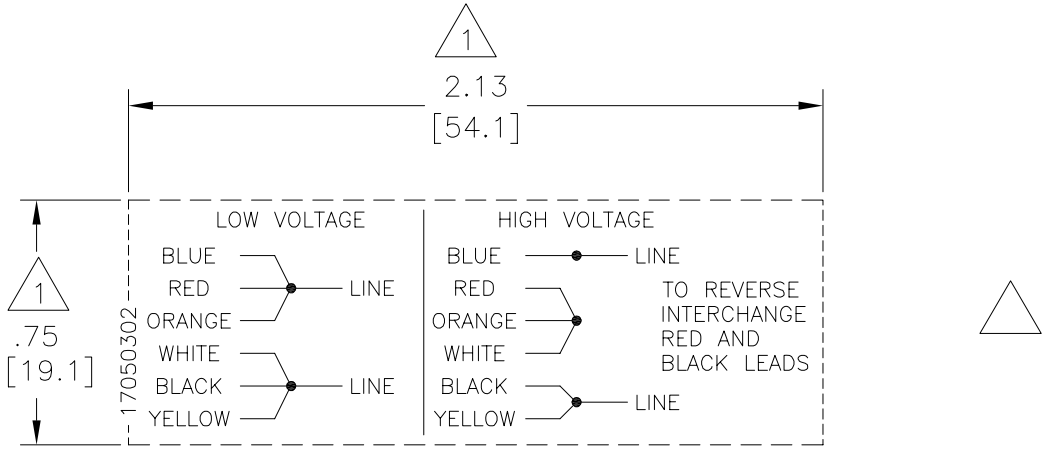
PULG 125 mm 3.2

DIMS METRICAS MOSTRADAS [PARENTESIS]

DIBUJADO POR:	MLC	03-04-1985
APROBADO POR:	MLC	03-13-1985
TERCER ANGULO DE PROYECCION		FECHA EDS: 11-11-2011 REV. FORMATO: G
CONFIDENCIAL: ESTE DIBUJO Y SU INFORMACION SON PROPIEDAD DE USO EXCLUSIVO Y CONFIDENCIAL DE REGAL-BELOIT CORPORATION Y NO DEBERAN SER REVELADOS, DUPLICADOS, DISTRIBUIDOS O USARSE DE OTRA MANERA SIN EL CONSENTIMIENTO ESCRITO DE REGAL-BELOIT CORPORATION.-TODOS LOS DERECHOS RESERVADOS.		

		REGAL-BELOIT CORPORATION
DESCRIPCION: CONN DIAGRAM-NAMEPLATE		
TAMAÑO: A	NUMERO DE DIBUJO: 17050302	
ESCALA: NONE		HOJA: 1

版本	ECO	编制	日期	批准	日期
Y	ECO-0022098	J. COX	04-24-2012	C. McREYNOLDS	04-24-2012



形位公差	ASME Y14.5M 1994
□ 平面度	
— 直线度	
∠ 倾斜度	
⊥ 垂直度	
∥ 平行度	
○ 圆度	
⊘ 圆柱度	
⊙ 面轮廓度	
⊖ 线轮廓度	
⊕ 圆跳动	
⊗ 位置度	
⊙ 同轴度	
≡ 对称度	

除另有注明
尺寸公差如下:

英寸	X	XX	XXX	XXXX
毫米	±.1	±.02	±.005	±.0005
毫米	±0.5	±0.13	±0.013	

角度 ±.50 度
清理毛刺和尖棱
英寸 .003-.015 毫米 0.1-0.4
内圆角
英寸 .020 毫米 0.5
表面粗糙度
英制 125 米制 3.2
米制尺寸显示在 []

绘图:	MLC	03-04-1985
批准:	MLC	03-13-1985
第三角投影		图纸格式发布日期 11-11-2011 图纸格式版本 G
机密:本图纸及相关信息所有权归REGAL-BELOIT CORPORATION. 未经REGAL-BELOIT CORPORATION书面授权, 不得泄露、复制、传播或作其他用途。--版权所有		

名称 CONN DIAGRAM-NAMEPLATE	
图幅 A	图号 17050302
比例 NONE	页号 1