

PRODUCT INFORMATION PACKET



Model No: B598

Catalog No: B598

3/4 HP Milk Pump Duty Motor, 3 phase, 3600 RPM, 208-230 V, 56HCZ Frame, TENV
Low Voltage NEMA Milk Pump Duty Motors



Regal and Century are trademarks of Regal Beloit Corporation or one of its affiliated companies.

©2019 Regal Beloit Corporation, All Rights Reserved. MC017097E

The REGAL logo consists of the word 'REGAL' in a bold, white, sans-serif font, set against a dark grey rectangular background with a slight shadow effect.

REGAL



Nameplate Specifications

Output HP	3/4 Hp	Output KW	0.56 kW
Frequency	60 Hz	Voltage	208-230 V
Current	2.5-2.4 A	Speed	3450 rpm
Service Factor	1	Phase	3
Duty	Continuous	Insulation Class	B
Frame	L56HCZ	Enclosure	Totally Enclosed Non Ventilated
Thermal Protection	Thermally Protected	Ambient Temperature	40 °C
UL	Recognized	CSA	Y
CE	N		

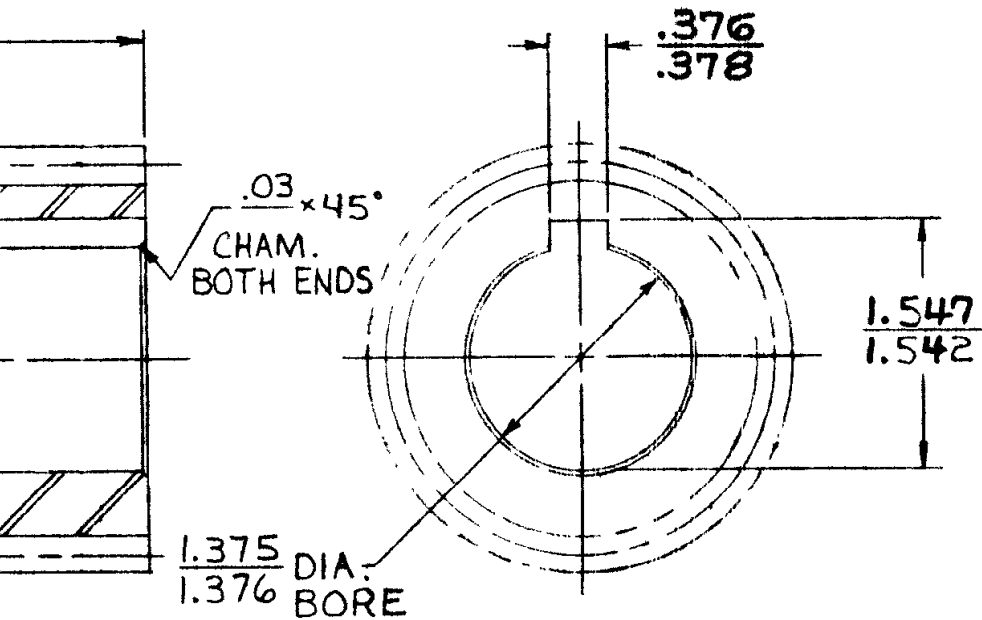
Technical Specifications

Electrical Type	Polyphase	Starting Method	Across The Line
Poles	2	Rotation	Reversible
Mounting	Rigid Base	Drive End Bearing	Ball
Opp Drive End Bearing	Ball	Frame Material	Rolled Steel
Shaft Type	Keyed	Overall Length	12.20 in
Frame Length	6.25 in	Shaft Diameter	0.625 in
Shaft Extension	1.88 in		

This is an uncontrolled document once printed or downloaded and is subject to change without notice. Date Created:30/10/2019

Uncontrolled Copy

B598
EDP# 02-0598-00-22



WORM THREAD DATA:	
NO. OF THREADS	1
DIAMETRAL PITCH	8
PRESSURE ANGLE	14 1/2°
PITCH DIAMETER	2.402
HAND	RIGHT
AXIAL PITCH (REF)	.3927
LEAD (REF)	.3927
LEAD ANGLE (REF)	2° 59'
MAJOR DIAMETER (REF)	2.652
MINOR DIAMETER	2.113
ADDENDUM	.125
WHOLE DEPTH (APPROX)	.2696
PIN MEASUREMENT	
OVER PINS	2.696/2.690
PIN DIAMETER	.2031
WORM GEAR MATE	B416

*MATT.
ROLLED BAR STOCK ~12' LENGTH

APPROVED VENDOR
ROLLED THREADS UNLIMITED, LTD.
NEW BERLIN, WI.

REF: B414