

PRODUCT INFORMATION PACKET



Model No: B592

Catalog No: B592

3/4 HP Milk Pump Duty Motor, 1 phase, 3600 RPM, 208-230 V, 56HCZ Frame, TENV
Low Voltage NEMA Milk Pump Duty Motors



Regal and Century are trademarks of Regal Beloit Corporation or one of its affiliated companies.

©2019 Regal Beloit Corporation, All Rights Reserved. MC017097E

REGAL



Nameplate Specifications

Output HP	3/4 Hp	Output KW	0.56 kW
Frequency	60 Hz	Voltage	208-230 V
Current	4.0-3.8 A	Speed	3450 rpm
Service Factor	1	Phase	1
Duty	Continuous	Insulation Class	B
Frame	L56HCZ	Enclosure	Totally Enclosed Non Ventilated
Thermal Protection	Thermally Protected	Ambient Temperature	40 °C
UL	Recognized	CSA	Y
CE	N		

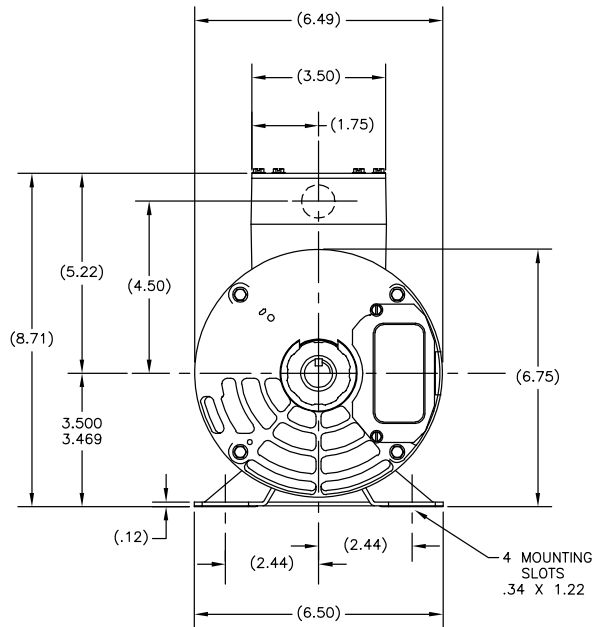
Technical Specifications

Electrical Type	Permanent Split Capacitor, Single Or Dual Voltage	Starting Method	Across The Line
Poles	2	Rotation	Reversible Clockwise
Mounting	Rigid Base	Drive End Bearing	Ball
Opp Drive End Bearing	Ball	Frame Material	Rolled Steel
Shaft Type	Keyed	Overall Length	11.62 in
Frame Length	6.25 in	Shaft Diameter	0.625 in
Shaft Extension	3.50 in		

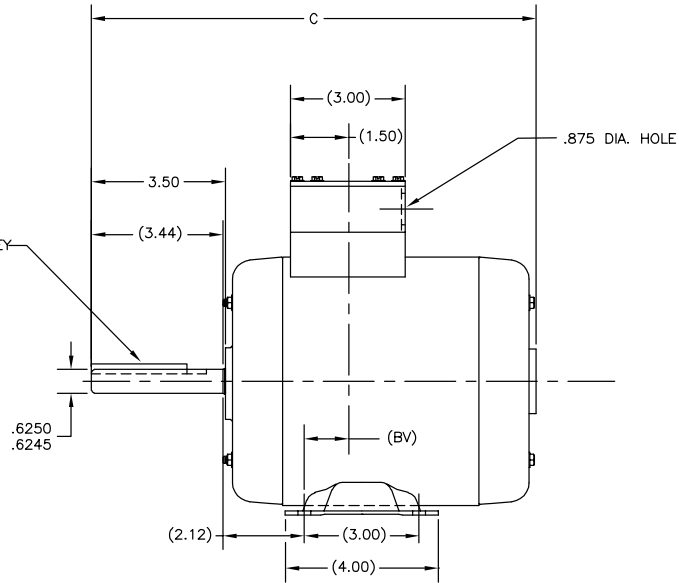
This is an uncontrolled document once printed or downloaded and is subject to change without notice. Date Created:04/11/2019

REV	ECO	REV BY	DATE	APPD	DATE
D	0001321	AJB	07-23-2008	AJB	07-23-2008

GRP.	FRAME	C	BV
-01	J56Y	11.62	1.14



.1895/.1875 (.09)
 PROFILED KEYWAY
 2.91 USEABLE LENGTH
 3/16 X 3/16 X 2.50 KEY



GEOMETRIC CHARACTERISTICS & SYMBOLS

- ▭ FLATNESS
- STRAIGHTNESS
- ∠ ANGULARITY
- ⊥ PERPENDICULARITY (SQUARENESS)
- ∥ PARALLELISM
- ROUNDNESS (CIRCULARITY)
- ⊘ CYLINDRICITY
- ⌒ PROFILE OF ANY SURFACE
- ⌒ PROFILE OF ANY LINE
- ⊕ RUNOUT
- ⊕ TRUE POSITION
- ⊙ CONCENTRICITY
- ⊖ SYMMETRY

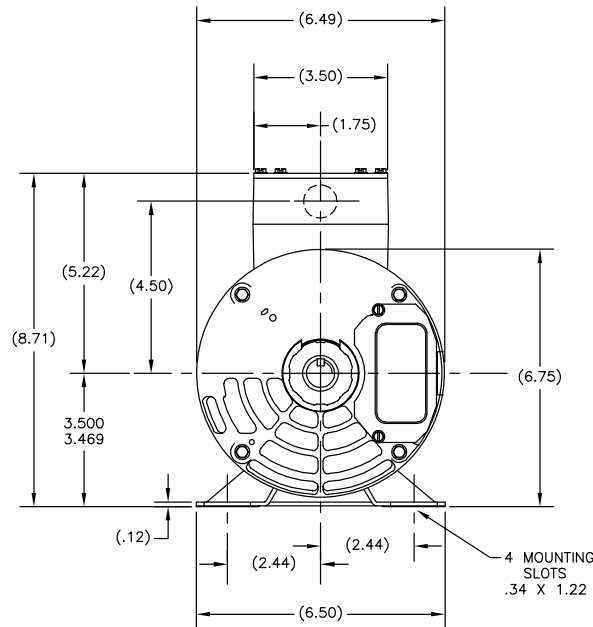
UNLESS OTHERWISE SPECIFIED
 DIM. TOLERANCES ARE AS FOLLOWS:
 INCH X XX XXX XXXX
 ±.1 ±.02 ±.005 ±.0005
 mm ±0.5 ±0.13 ±0.013
 ANG. ±.50 DEG
 REMOVE BURRS & BREAK SHARP EDGES:
 INCH .003-.015 mm 0.1-.04
 CORNER FILLETS TO:
 INCH .020 mm 0.5
 MACHINE SURFACES:
 INCH 125 mm 3.2
 METRIC DIMS. SHOWN IN [BRACKETS]

DR BY:	ERS	07-06-1994
APPD:	SAS	07-15-1994
THIRD ANGLE PROJECTION		EDS DATE 01-21-2007 FORMAT REV F
CONFIDENTIAL: THIS DRAWING AND ITS INFORMATION ARE THE EXCLUSIVE AND CONFIDENTIAL PROPERTY OF A.O. SMITH CORP. AND ARE NOT TO BE DISCLOSED, DUPLICATED, DISTRIBUTED OR OTHERWISE USED WITHOUT THE WRITTEN CONSENT OF A.O. SMITH CORP. -ALL RIGHTS RESERVED. ASME Y14.5M 1994		

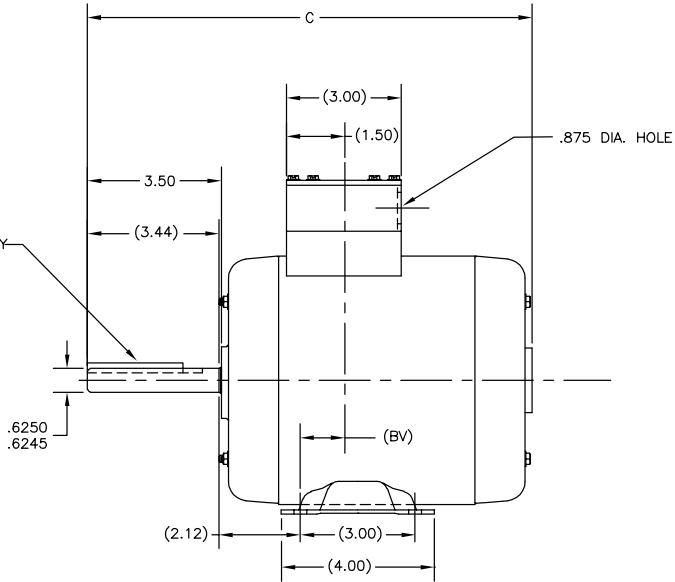
	ELECTRICAL PRODUCTS COMPANY A DIVISION OF A.O. SMITH CORPORATION
DESCRIPTION OUTLINE 56FR BB OP/EN	
SIZE C	DWG NO 185526
SCALE NONE	SHEET 1

REVISION:	ECO	REVISADO POR:	FECHA:	APROBADO POR:	FECHA:
D	0001321	AJB	07-23-2008	AJB	07-23-2008

GRP.	FRAME	C	BV
-01	J56Y	11.62	1.14



.1895/.1875 (.09)
PROFILED KEYWAY
2.91 USEABLE LENGTH
3/16 X 3/16 X 2.50 KEY



CARACTERISTICAS DE GEOMETRIA Y SIMBOLOS
 ▽ PLANICIDAD
 — RECTITUD
 ∠ ANGULARIDAD
 ⊥ PERPENDICULARIDAD (A ESCUADRA)
 // PARALELISMO
 ○ REDONDEZ (CIRCULARIDAD)
 ⌀ CILINDRICIDAD
 ⌒ PERFIL DE CUALQUIER SUPERFICIE
 ⌒ PERFIL DE CUALQUIER LINEA
 † VARIACION
 ⊕ POSICION REAL
 ⊙ CONCENRICIDAD
 ⊖ SIMETRIA

A MENOS QUE SE ESPECIFIQUE DE OTRA MANERA, LAS TOLERANCIAS DE LAS DIMS. SON LAS SIGUIENTES:
 PULG ±.1 ±.02 ±.005 ±.0005
 mm ±0.5 ±0.13 ±0.013
 ANG. ±.50 GRADOS
 ELIMINAR REBABAS Y ORILLAS FILOSAS DEL BORDE.
 FILETEAR ESQUINA: PULG .003-.015 mm 0.1-0.4
 MAQUINAR SUPERFICIES
 PULG .125 mm .32
 DIMS METRICAS MOSTRADAS [PARENTESIS]

DIBUJADO POR:	ERS	07-06-1994
APROBADO POR:	SAS	07-15-1994
TERCER ANGULO DE PROYECCION	⊕	FECHA EDS: 01-21-2007 REV. FORMATO: F

CONFIDENCIAL: ESTE DIBUJO Y SU INFORMACION SON PROPIEDAD DE USO EXCLUSIVO Y CONFIDENCIAL DE A.O.SMITH CORP. Y NO DEBERAN SER REVELADOS, DUPLICADOS, DISTRIBUIDOS O USARSE DE OTRA MANERA SIN EL CONSENTIMIENTO ESCRITO DE A.O. SMITH CORP.
 -TODOS LOS DERECHOS RESERVADOS.ASME Y14.5M 1994

ACSmith ELECTRICAL PRODUCTS COMPANY
Innovation has a name. A DIVISION OF A. O. SMITH CORPORATION

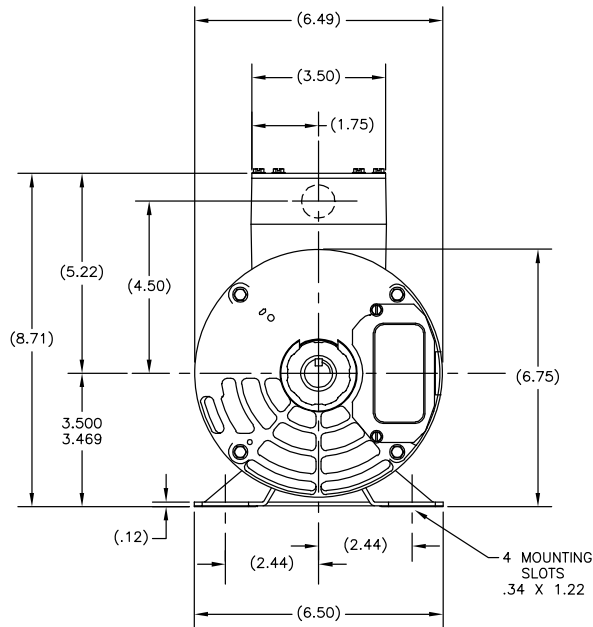
DESCRIPCION: OUTLINE
 56FR BB OP/EN

TAMAÑO: C NUMERO DE DIBUJO: 185526

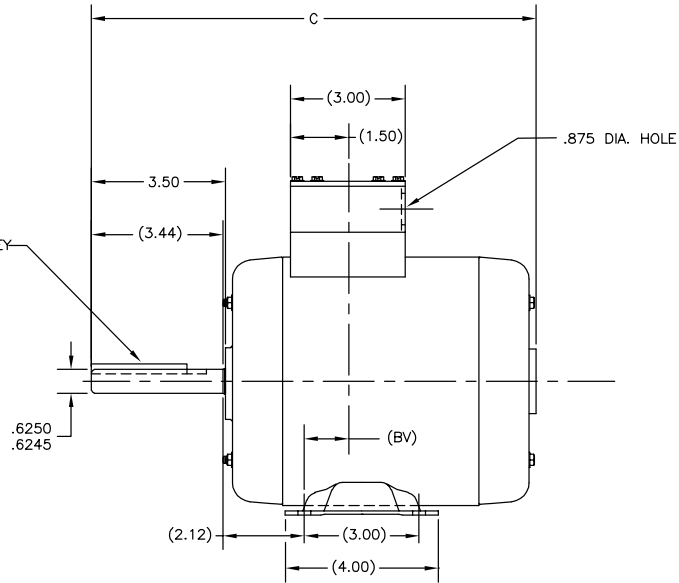
ESCALA: NONE HOJA: 1

版本	ECO	编制	日期	批准	日期
D	0001321	AJB	07-23-2008	AJB	07-23-2008

GRP.	FRAME	C	BV
-01	J56Y	11.62	1.14



.1895/.1875 (.09)
 PROFILED KEYWAY
 2.91 USEABLE LENGTH
 3/16 X 3/16 X 2.50 KEY



形位公差	除另有注明
□ 平面度	尺寸公差如下:
— 直线度	英寸 X XX XXX XXXX
∠ 倾斜度	英寸 ±.1 ±.02 ±.005 ±.0005
⊥ 垂直度	毫米 ±0.5 ±0.13 ±0.013
∥ 平行度	角度 ±.50 度
○ 圆度	清理毛刺和尖棱
⊙ 圆跳动	英寸 .003-.015 毫米 0.1-0.4
⌒ 面轮廓度	内圆角
⌒ 线轮廓度	英寸 .020 毫米 0.5
⊕ 圆跳动	表面粗糙度
⊕ 位置度	英制 125 米制 3.2
⊕ 同轴度	米制尺寸显示在 []
⊕ 对称度	

除另有注明	尺寸公差如下:
英寸 X XX XXX XXXX	
英寸 ±.1 ±.02 ±.005 ±.0005	
毫米 ±0.5 ±0.13 ±0.013	
角度 ±.50 度	
清理毛刺和尖棱	
英寸 .003-.015 毫米 0.1-0.4	
内圆角	
英寸 .020 毫米 0.5	
表面粗糙度	
英制 125 米制 3.2	
米制尺寸显示在 []	

绘图:	ERS	07-06-1994
批准:	SAS	07-15-1994
第三角投影	图框格式发布日期 01-21-2007	图框格式版本 F
机密: 本图纸及相关信息所有权归A. O. SMITH公司所有。未经A. O. SMITH公司书面授权, 不得泄露、复制、传播或作其他用途。—版权所有		
ASME Y14.5M 1994		

		ELECTRICAL PRODUCTS COMPANY A DIVISION OF A. O. SMITH CORPORATION
名称		
OUTLINE		
56FR BB OP/EN		
图幅	图号	
C	185526	
比例	NONE	页号 1