

PRODUCT INFORMATION PACKET



Model No: B418
Catalog No: B418
1/3 HP General Purpose Motor, 1 phase, 3600 RPM, 115/230 V, 56 Frame, TEFC
Single Phase TEFC Motors



Regal and Century are trademarks of Regal Beloit Corporation or one of its affiliated companies.
©2019 Regal Beloit Corporation, All Rights Reserved. MC017097E

The REGAL logo is a grey, trapezoidal shape with the word 'REGAL' in white, bold, uppercase letters inside. It is positioned on a blue and black halftone background that tapers to the right.

REGAL



Nameplate Specifications

Output HP	1/3 Hp	Output KW	0.25 kW
Frequency	60 Hz	Voltage	115/230 V
Current	5.2/2.6 A	Speed	3450 rpm
Service Factor	1	Phase	1
Duty	Continuous	Insulation Class	B
Frame	56	Enclosure	Totally Enclosed Fan Cooled
Thermal Protection	Automatic	Ambient Temperature	40 °C
UL	Recognized	CSA	Y
CE	N		

Technical Specifications

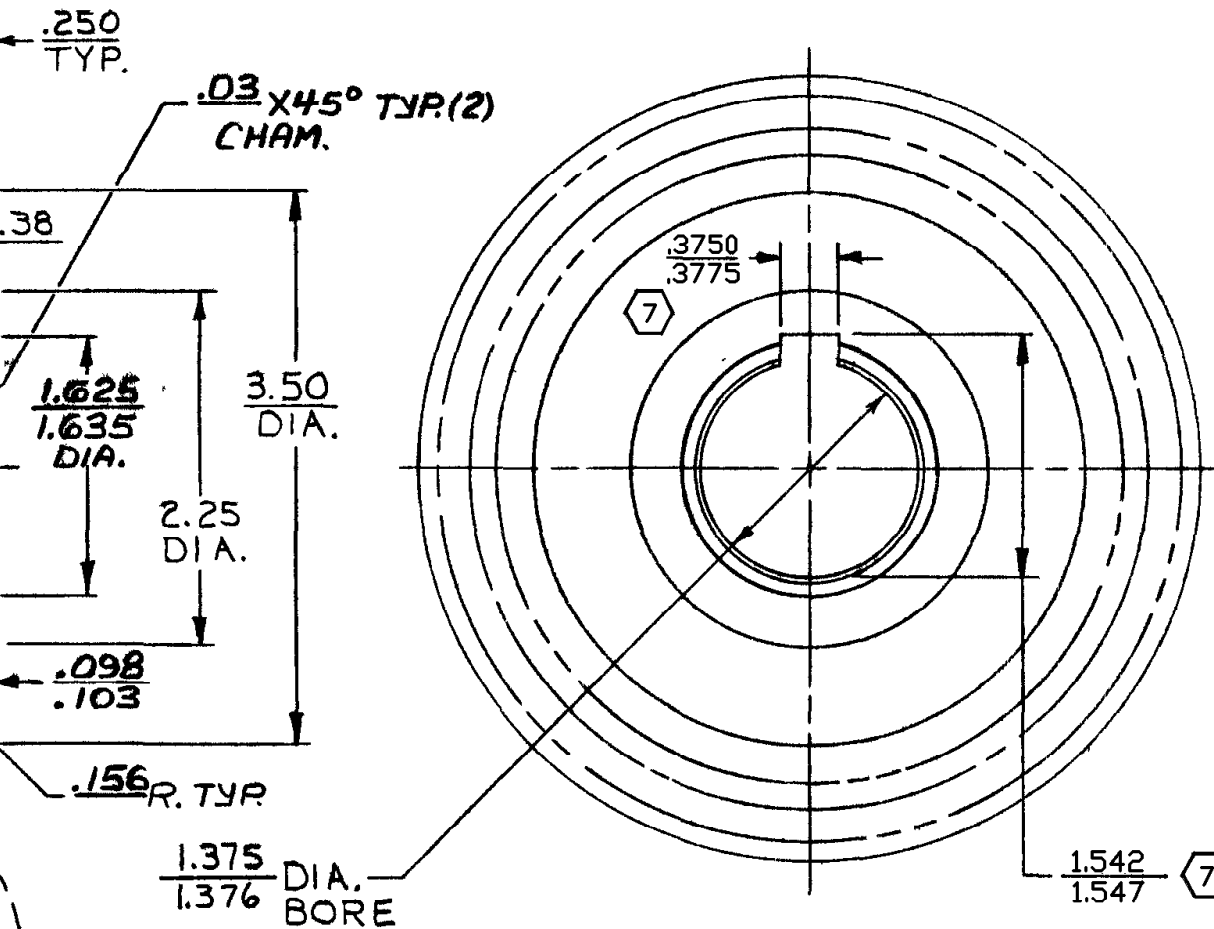
Electrical Type	Capacitor Start, Induction Run, Single Or Dual Voltage	Starting Method	Across The Line
Poles	2	Rotation	Reversible Counterclockwise
Mounting	Resilient Base	Drive End Bearing	Ball
Opp Drive End Bearing	Ball	Frame Material	Rolled Steel
Shaft Type	Keyed	Overall Length	11.21 in
Frame Length	4.13 in	Shaft Diameter	0.625 in
Shaft Extension	1.94 in		

This is an uncontrolled document once printed or downloaded and is subject to change without notice. Date Created:04/11/2019

Uncontrolled Copy

B418

EDP#02-0418-00-22



WORM GEAR DATA:	
NO. OF TEETH	24
DIAMETRAL PITCH	5.596
PRESSURE ANGLE	14 1/2°
PITCH DIAMETER	4.289
HAND	LEFT
HELIX ANGLE	20° 59'
LEAD	2.2456
ADDENDUM	.223
DEDENDUM	.153
WHOLE DEPTH (APPROX)	.376
CENTER DISTANCE	3.076
PROCESS BACKLASH	
WORM THREAD DATA:	
NO. OF THREADS	4
PITCH DIAMETER	1.863
HAND	LEFT
AXIAL PITCH (REF)	.5614
LEAD (REF)	2.2456
LEAD ANGLE (REF)	20° 59'
BACKLASH (ASSEMBLED)	.006 / .008
WORM MATE <u>831-235</u>	

7	23554	9/27/00	KWY WAS .376/.378 & 1.547/1.542	TAM
---	-------	---------	---------------------------------	-----

6	13075	4/12/93	WAS 4.735	JS
---	-------	---------	-----------	----

This drawing and the information contained hereon is the exclusive property of Durst Division Regal Plant Corp. and shall not be reproduced, used or disclosed to others except as authorized through

MACH TOL
X ± .030
XXX ± .005

Needs!

DURST