

# PRODUCT INFORMATION PACKET



Model No: B417  
Catalog No: B417  
1/4 HP General Purpose Motor, 1 phase, 3600 RPM, 115/230 V, 56 Frame, TEFC  
Single Phase TEFC Motors



Regal and Century are trademarks of Regal Beloit Corporation or one of its affiliated companies.  
©2019 Regal Beloit Corporation, All Rights Reserved. MC017097E

The REGAL logo is the word 'REGAL' in a bold, white, sans-serif font, set against a dark grey, trapezoidal background. This logo is positioned on a vertical blue gradient bar that runs down the right side of the page.

REGAL



**Nameplate Specifications**

Output HP	1/4 Hp	Output KW	0.19 kW
Frequency	60 Hz	Voltage	115/230 V
Current	4.8/2.4 A	Speed	3450 rpm
Service Factor	1	Phase	1
Duty	Continuous	Insulation Class	B
Frame	H56	Enclosure	Totally Enclosed Fan Cooled
Thermal Protection	Automatic	Ambient Temperature	40 °C
UL	Recognized	CSA	Y
CE	N		

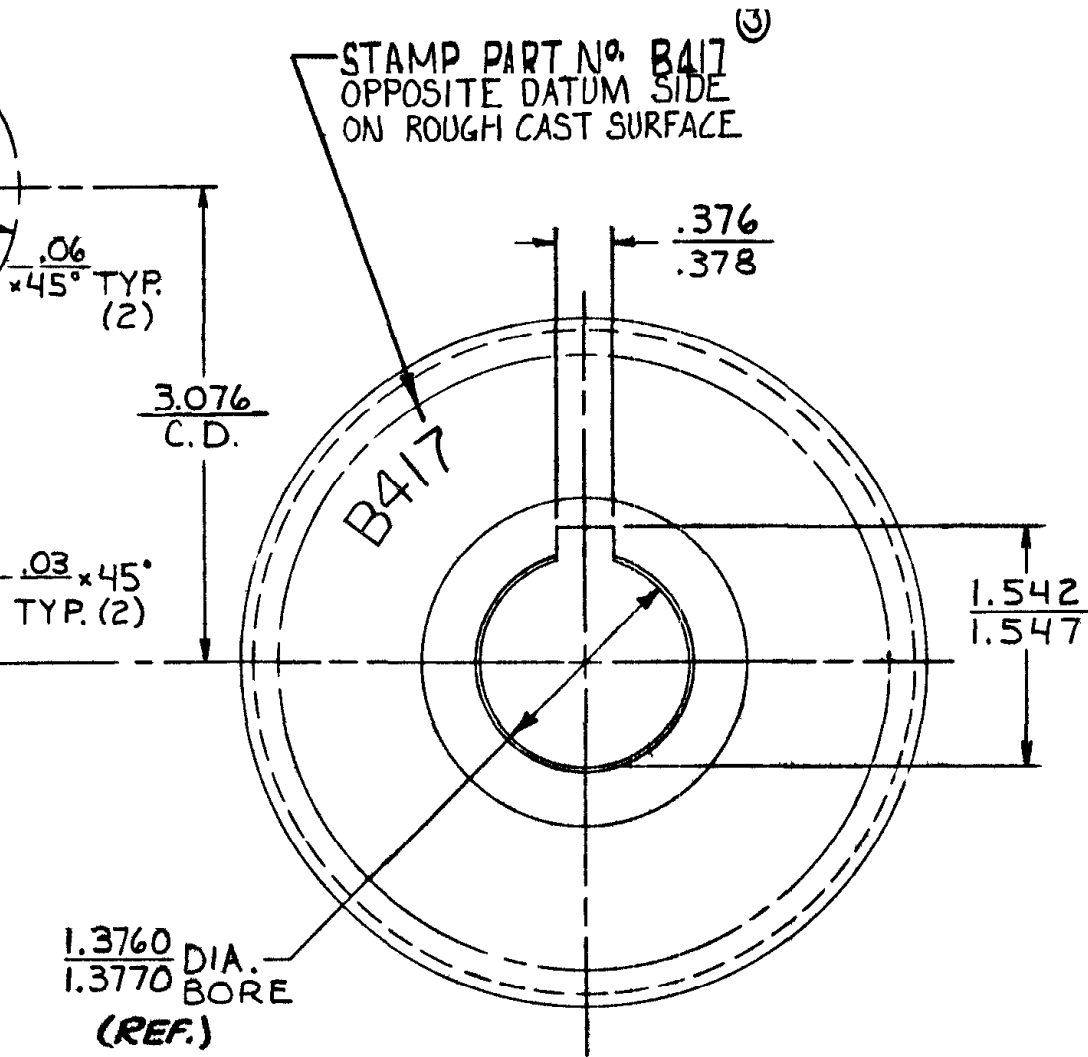
**Technical Specifications**

Electrical Type	Capacitor Start, Induction Run, Single Or Dual Voltage	Starting Method	Across The Line
Poles	2	Rotation	Reversible
Mounting	Resilient Base	Drive End Bearing	Ball
Opp Drive End Bearing	Ball	Frame Material	Rolled Steel
Shaft Type	Keyed	Overall Length	11.21 in
Frame Length	4.13 in	Shaft Diameter	0.625 in
Shaft Extension	1.94 in		

This is an uncontrolled document once printed or downloaded and is subject to change without notice. Date Created:04/11/2019

Uncontrolled Copy

B417  
02-0417-00-22



WORM GEAR DATA :  
 N° TEETH \_\_\_\_\_ 24  
 PITCH DIA. (REF.) \_\_\_\_\_ 4.000  
 ADDEN. (REF.) \_\_\_\_\_ .1666  
 WHOLE DEPTH \_\_\_\_\_ .3262

WORM NOMINAL DIMENSIONS  
 PART N° \_\_\_\_\_ **B415**  
 N° THREADS \_\_\_\_\_ 3  
 AXIAL PITCH \_\_\_\_\_ .5236  
 LEAD (REF.) \_\_\_\_\_ 1.5708  
 HAND \_\_\_\_\_ R.H.  
 PRESSURE ANGLE \_\_\_\_\_ 20°  
 PITCH DIA. \_\_\_\_\_ 2.152  
 LEAD ANGLE \_\_\_\_\_ 13°4'48"  
 CT'R. DIST. \_\_\_\_\_ 3.076  
 BACKLASH (ASS'Y.) \_\_\_\_\_ .006-.008  
 DIA. PITCH \_\_\_\_\_ 6