

PRODUCT INFORMATION PACKET



Model No: B178
Catalog No: B178
3.0 HP General Purpose Motor, 1 phase, 3600 RPM, 208-230 V, 56H Frame, ODP
Single Phase ODP Motors



Regal and Century are trademarks of Regal Beloit Corporation or one of its affiliated companies.
©2019 Regal Beloit Corporation, All Rights Reserved. MC017097E

The REGAL logo consists of the word 'REGAL' in a bold, white, sans-serif font, set against a dark grey rectangular background with a slight shadow effect.

REGAL



Nameplate Specifications

Output HP	3.0 Hp	Output KW	2.2 kW
Frequency	60 Hz	Voltage	208-230 V
Current	13.5-12.5 A	Speed	3450 rpm
Service Factor	1.15	Phase	1
Duty	Continuous	Insulation Class	B
Frame	M56H	Enclosure	Drip Proof
Thermal Protection	Thermally Protected	Ambient Temperature	40 °C
UL	Recognized	CSA	Y
CE	N		

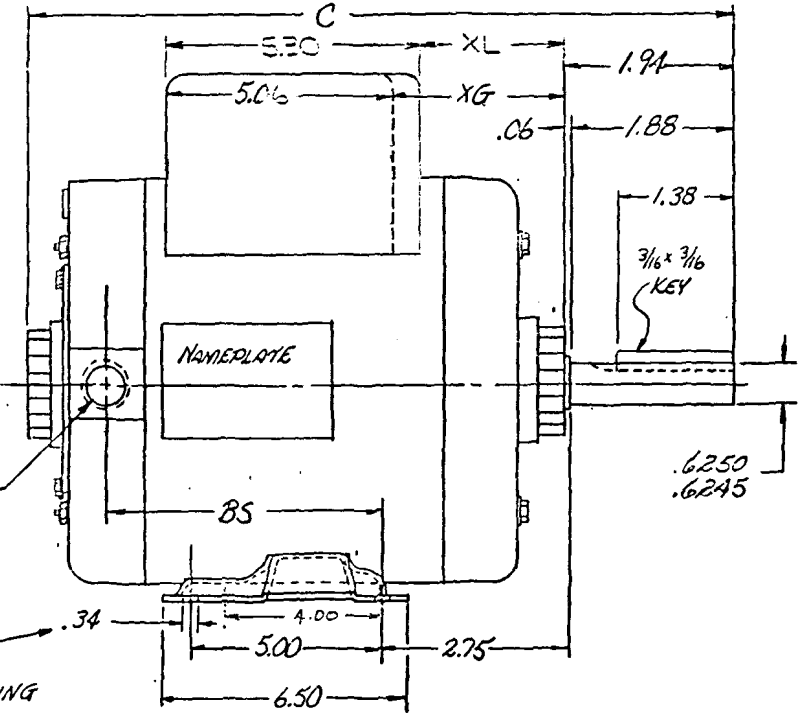
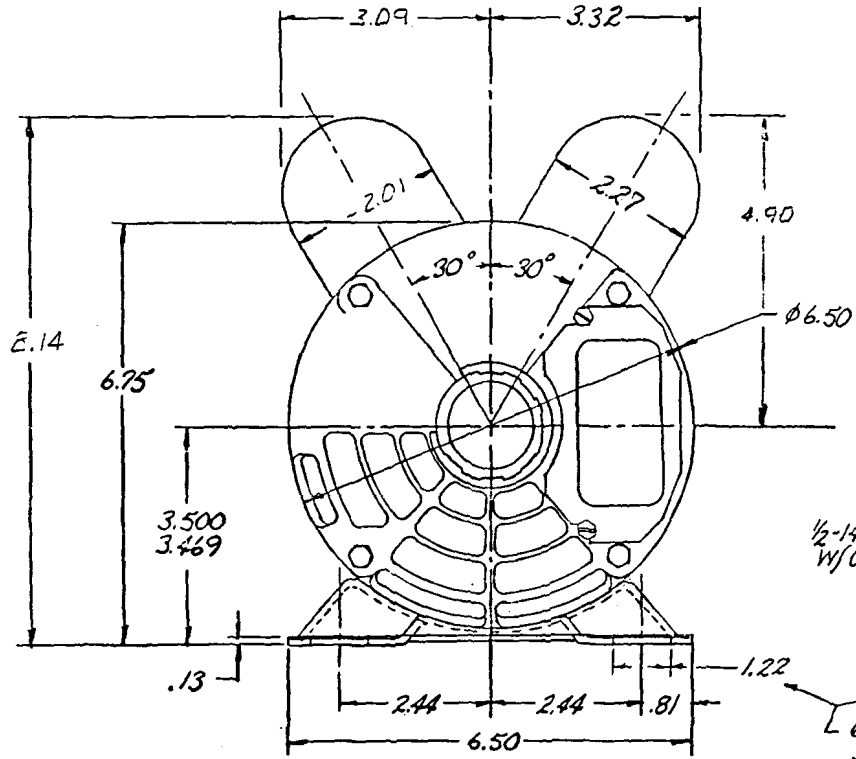
Technical Specifications

Electrical Type	Capacitor Start, Capacitor Run, Single Or Dual Voltage	Starting Method	Across The Line
Poles	2	Rotation	Reversible Counterclockwise
Mounting	Rigid Base	Drive End Bearing	Ball
Opp Drive End Bearing	Ball	Frame Material	Rolled Steel
Shaft Type	Keyed	Overall Length	12.69 in
Frame Length	6.75 in	Shaft Diameter	0.625 in
Shaft Extension	1.94 in		

This is an uncontrolled document once printed or downloaded and is subject to change without notice. Date Created:04/11/2019

DO NOT SCALE DRAWING

DJS	GP NO	TYPE	FRAME SIZE	FORM	C	BS	XG	XL			
1	01	CP	N56H	KHH	13.19	7.12	3.96	3.72			
1	02	CP	N56H	KHH	12.69	6.62	3.46	3.22			



SM TO 162951 & 154994 SPEC. 58867

REVISIONS	DESCRIPTION
1	8-168508-00
2	ZHS RUN DRP COVER DIM. 69934 RH 12-1-88
3	ADDED GRP DZ CS 176417 5/16/89
4	E30190 IN CHG LENGTH OF CAP COVER 3/24 12/5/90

THIRD ANGLE PROJECTION		Century Electric, Inc. 1831 Chestnut Street, St. Louis, Missouri 63168		CENTURY	
TITLE 0056 DWG O-LINE BB OP/ENCL					
DRN. P.M. 2-20-85 APPD.	CKD. MLK 2-25-85 SCALE N	CONT. CODE 5	DRG. NO. 170449	SIZE B	CLASS NO. 1920