

PRODUCT INFORMATION PACKET



Model No: B172ES
Catalog No: B172ES
1/2 HP General Purpose Motor, 1 phase, 3600 RPM, 115/230 V, 48 Frame, ODP
Single Phase ODP Motors



Regal and Century are trademarks of Regal Beloit Corporation or one of its affiliated companies.
©2019 Regal Beloit Corporation, All Rights Reserved. MC017097E





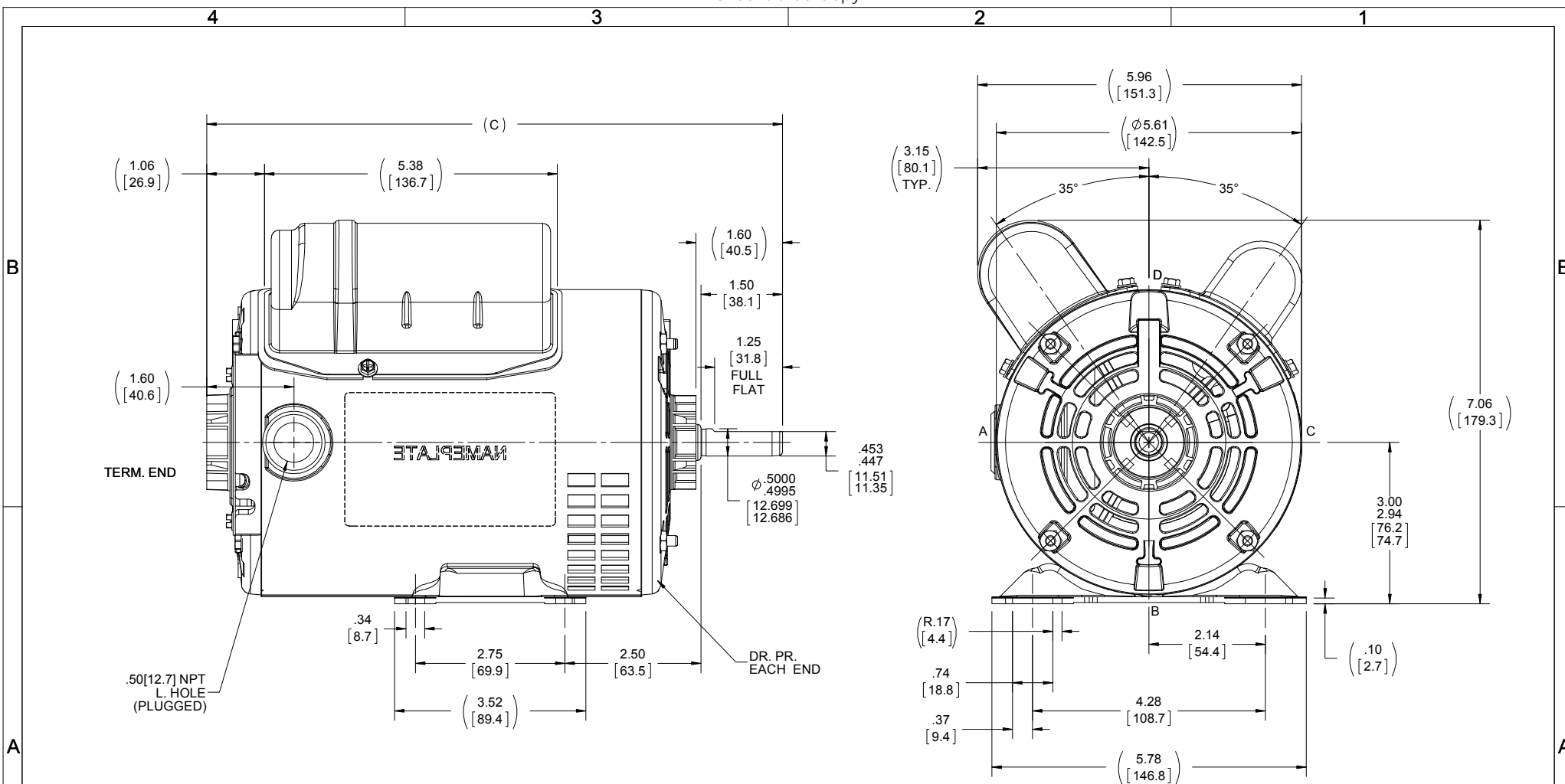
Nameplate Specifications

Output HP	1/2 Hp	Output KW	0.37 kW
Frequency	60 Hz	Voltage	115/230 V
Current	4.4/2.2 A	Speed	3450 rpm
Service Factor	1.25	Phase	1
Duty	Continuous	Insulation Class	B
Frame	48	Enclosure	Drip Proof
Thermal Protection	None	Ambient Temperature	40 °C
UL	Recognized	CSA	Y
CE	Y		

Technical Specifications

Electrical Type	Shaded Pole	Starting Method	Across The Line
Poles	2	Rotation	Reversible Counterclockwise
Mounting	Rigid Base	Drive End Bearing	Ball
Opp Drive End Bearing	Ball	Frame Material	Rolled Steel
Shaft Type	Flat	Overall Length	10.59 in
Frame Length	7.13 in	Shaft Diameter	0.500 in
Shaft Extension	1.59 in		

This is an uncontrolled document once printed or downloaded and is subject to change without notice. Date Created:30/10/2019



DASH	C
625	9.84 [149.9]
650	10.09 [256.3]
675	10.34 [262.6]
700	10.59 [269.0]
725	10.84 [275.4]
750	11.09 [281.7]
775	11.34 [288.0]
800	11.59 [294.4]

DRAWING REVISION	REVISION BY	REV DATE/© DATE
B	S.MUDDA	05/07/2019
ECO-0166690	D SURYAWANSHI	05/07/2019

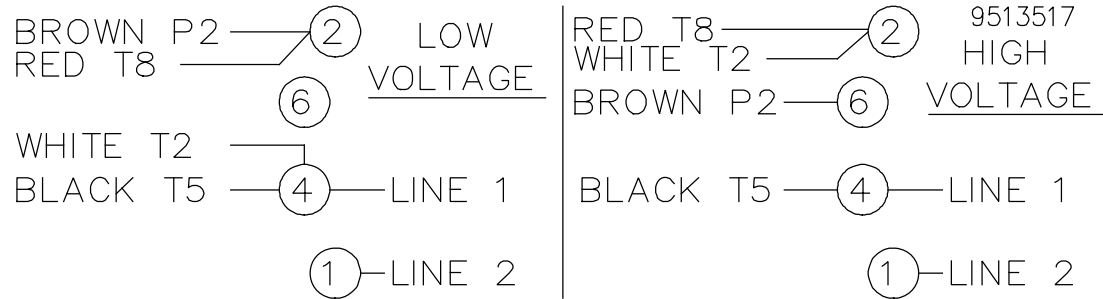
ECO DESCRIPTION
OUTLINE CONVERSION PROJECT
COPYRIGHT (PER REVISION DATE) REGAL BELOIT AMERICA, INC. ALL RIGHTS RESERVED. PROPRIETARY AND CONFIDENTIAL INFORMATION - THIS DOCUMENT IS THE PROPERTY OF REGAL BELOIT AMERICA, INC. (OWNER) AND CONTAINS OWNERS PROPRIETARY INFORMATION. ANY PERSON, CORPORATION OR OTHER FIRM RECEIVING IT IS DEEMED, BY RECEIVING IT, TO AGREE THAT IT, AND/OR ANY PART OF IT, SHALL NOT BE DISCLOSED TO ANY PERSON, CORPORATION OR OTHER ENTITY, DUPLICATED, AND/OR USED, EXCEPT AS EXPRESSLY APPROVED IN WRITING IN ADVANCE BY OWNER. THIS DOCUMENT SHALL BE RETURNED TO OWNER UPON REQUEST. IT MAY BE SUBJECT TO CERTAIN RESTRICTIONS UNDER APPLICABLE EXPORT CONTROL LAWS AND REGULATIONS.

TOLERANCES (EXCEPT AS NOTED):			
DEC.	INCH	mm	ANGLE
-X	-0.1	[±3]	±7° 30"
.XX	+0.03	[+0.8]	
.XXX	+0.005	[±0.13]	
.XXXX	+0.0005	[±0.013]	

REMOVE BURRS & BREAK SHARP EDGES: .003/.015 [0.08/38] X 45°
 CORNER FILLETS: R.02 [5]
 MACHINED SURFACES: 200 $\sqrt{\text{mm}}$ 5.1 $\sqrt{\text{mm}}$
 INCH $\sqrt{\text{mm}}$
 mm DIMENSIONS IN [BRACKETS] ARE FOR REFERENCE ONLY

DRAWN BY	DATE
JAH	11/19/2014
APPROVED BY	DATE
SM	11/19/2014
REFERENCE	THIRD ANGLE PROJECTION
606-0004	

Regal Beloit America, Inc.	
DESCRIPTION OUTLINE 48 FRAME	
MATERIAL	PROCESS/FINISH
SIZE B	DRAWING NUMBER SS404113
SHEET 1 OF 1	



ROTATION CCW-OPE TO REVERSE EITHER VOLTAGE
INTERCHANGE BLACK(T5) WITH RED(T8) LEADS

				TOLERANCES UNLESS SPECIFIED			DRAWN TOM 06-21-1988			
				DEC.	INCHES		CHK	GK	06-21-1988	
				.X	±.1		APPD	FG	06-21-1988	
3	ADDED T MARKINGS	DS	07/19/2018	VC	.XX ±.02	TITLE CONNECTION DIAGRAM	SCALE 1=1			
2	REDRAWN IN AUTOCAD	TAT	10-22-2004	ML	.XXX ±.005		REF			
1	NEW DRAWING	TOM	06-24-1988		.XXXX ±.0005		MAT'L. FMF			
NO.	REVISION	BY & DATE	CHK	ANG	±7'30"	FINISH	PREV			
THIS DRAWING IN DESIGN AND DETAIL IS OUR PROPERTY AND MUST NOT BE USED EXCEPT IN CONNECTION WITH OUR WORK ALL RIGHTS OF DESIGN AND INVENTION ARE RESERVED THIS IS AN ELECTRONICALLY GENERATED DOCUMENT - DO NOT SCALE THIS PRINT				RFP	CAD FILE 9513517		SIZE	DRAWING NO.	PAGE OF	REV.
				DIST			A	9513517	3	3