

PRODUCT INFORMATION PACKET



Model No: ARB2034L4
Catalog No: ARB2034L4

1/3 HP Fan and Blower HVAC/R Motor, 1 phase, 1800 RPM, 115/208-230 V, 56Z Frame, TEAO
Belt Drive Motors



Regal and Century are trademarks of Regal Beloit Corporation or one of its affiliated companies.
©2019 Regal Beloit Corporation, All Rights Reserved. MC017097E

REGAL



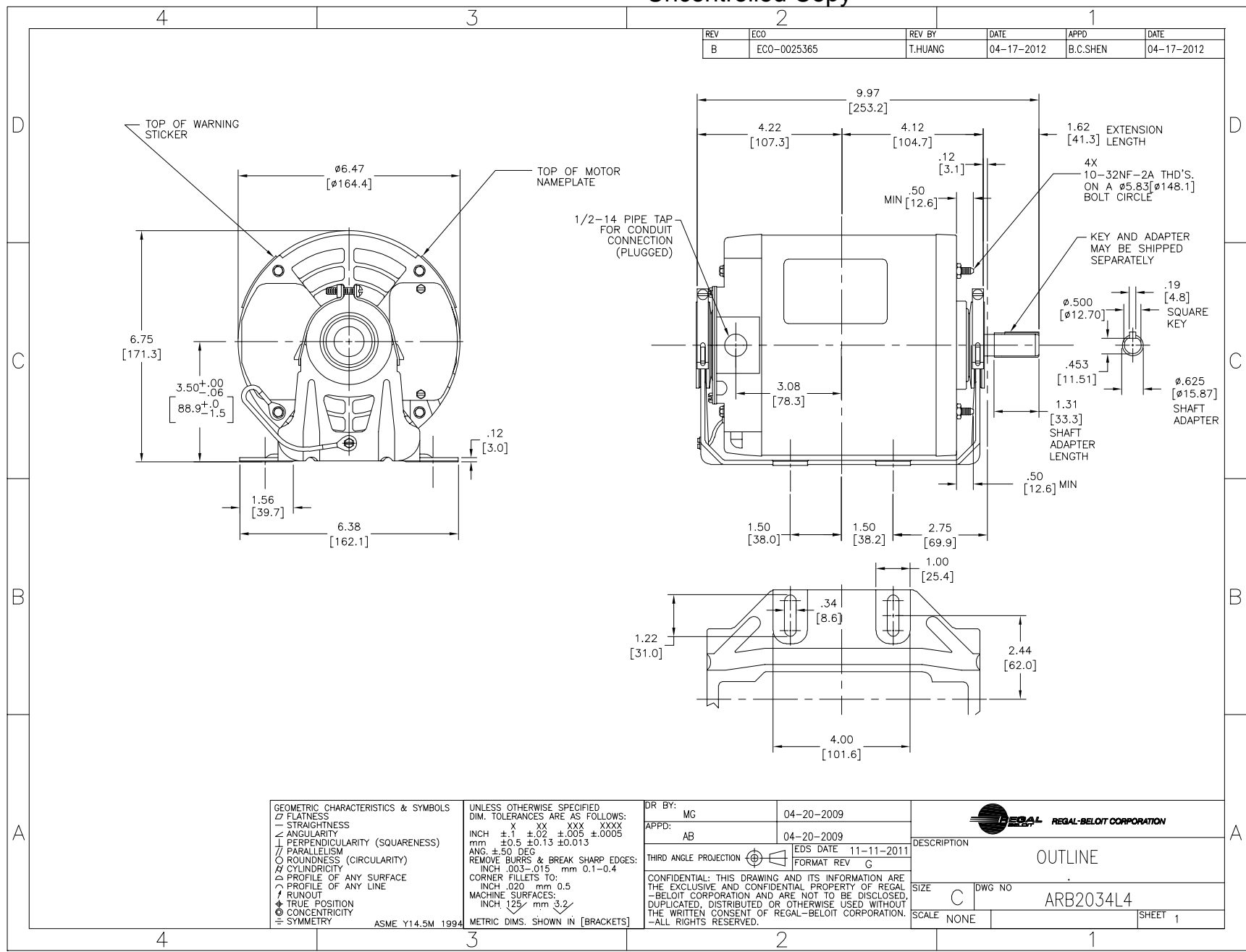
Nameplate Specifications

Output HP	1/3 Hp	Output KW	0.25 kW
Frequency	60 Hz	Voltage	115/208-230 V
Current	5.6/2.8 A	Speed	1725 rpm
Service Factor	1.35	Phase	1
Duty	Continuous	Insulation Class	B
Frame	56Z	Enclosure	Totally Enclosed Air Over
Thermal Protection	None	Ambient Temperature	40 °C
UL	Recognized	CSA	Y
CE	N		

Technical Specifications

Electrical Type	Split Phase	Starting Method	Across The Line
Poles	4	Rotation	Reversible
Mounting	Resilient Base	Drive End Bearing	Ball
Opp Drive End Bearing	Ball	Frame Material	Rolled Steel
Shaft Type	Keyed	Overall Length	9.97 in
Frame Length	5.19 in	Shaft Diameter	0.625 in
Shaft Extension	1.62 in		

This is an uncontrolled document once printed or downloaded and is subject to change without notice. Date Created:30/10/2019

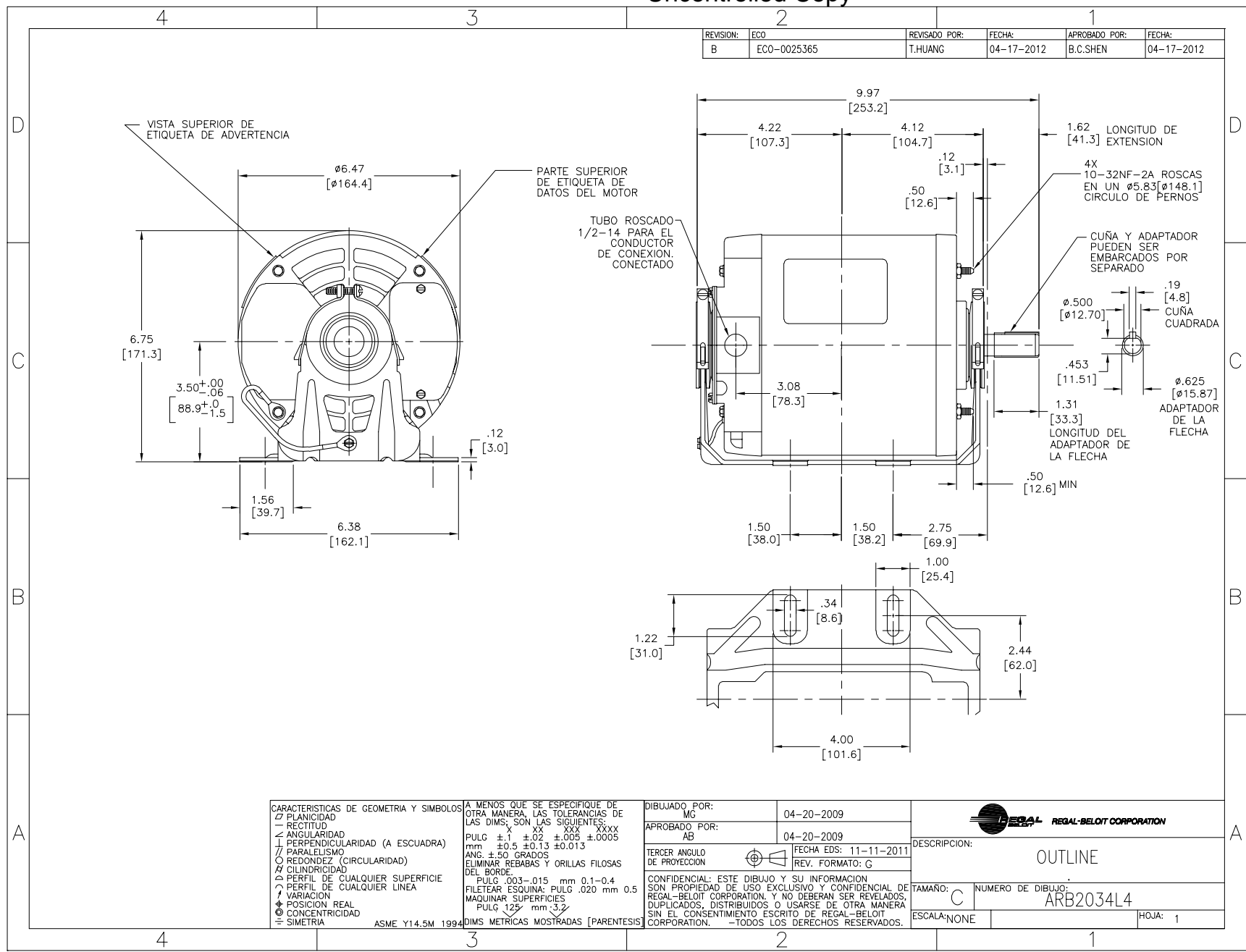


GEOMETRIC CHARACTERISTICS & SYMBOLS	
▭	FLATNESS
—	STRAIGHTNESS
∠	ANGULARITY
⊥	PERPENDICULARITY (SQUARENESS)
∥	PARALLELISM
○	ROUNDNESS (CIRCULARITY)
⊘	CYLINDRICITY
⌒	PROFILE OF ANY SURFACE
⌒	PROFILE OF ANY LINE
⊕	RUNOUT
⊕	TRUE POSITION
⊙	CONCENTRICITY
≡	SYMMETRY

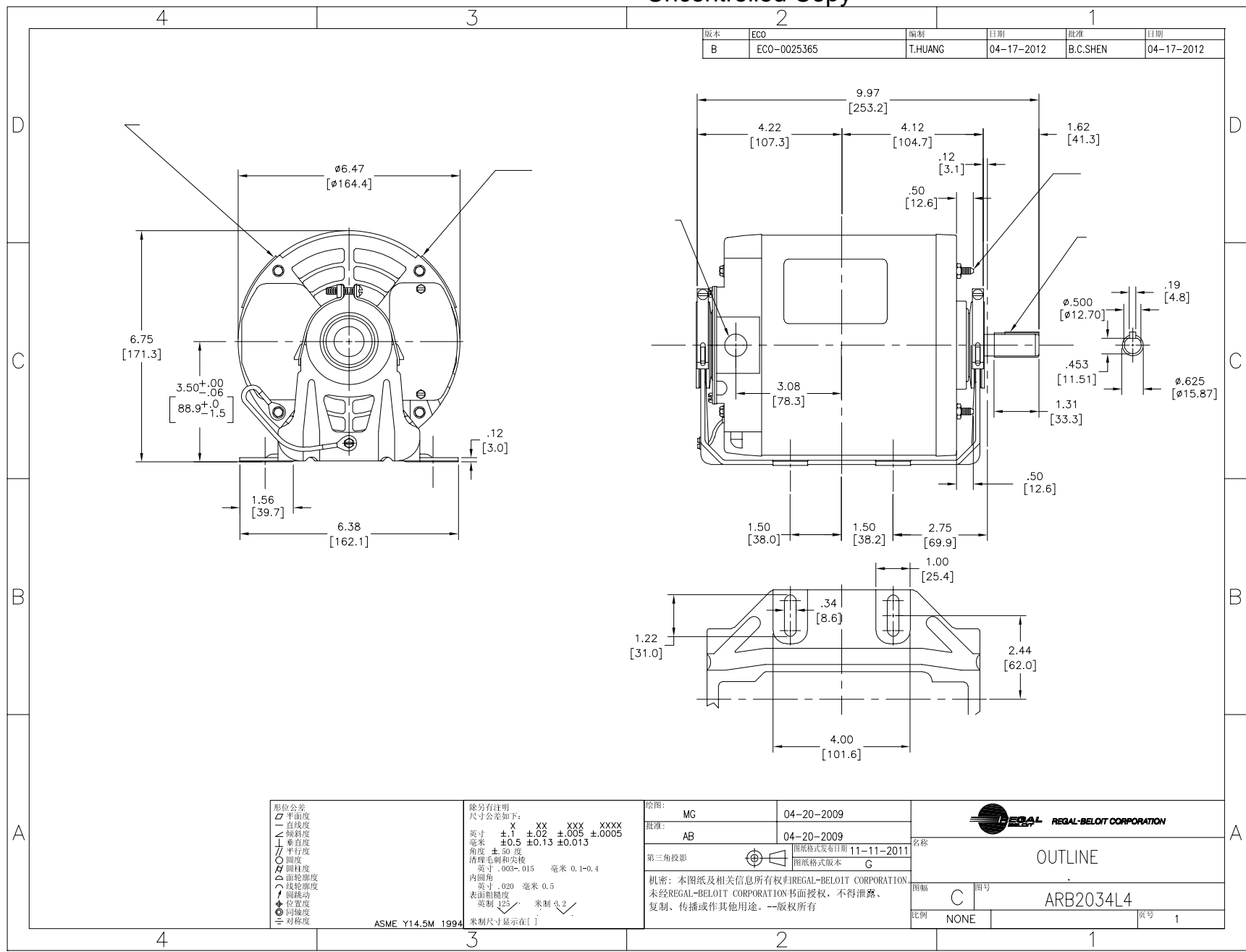
UNLESS OTHERWISE SPECIFIED DIM. TOLERANCES ARE AS FOLLOWS:	
INCH	$\pm .1$ $\pm .02$ $\pm .005$ $\pm .0005$
mm	± 0.5 ± 0.13 ± 0.013
ANG. $\pm .50$ DEG	
REMOVE BURRS & BREAK SHARP EDGES:	
INCH	.003-.015
mm	0.1-.04
CORNER FILLETS TO:	
INCH	.020
mm	0.5
MACHINE SURFACES:	
INCH	125
mm	3.2
METRIC DIMS. SHOWN IN [BRACKETS]	

DR BY:	MG	04-20-2009
APPD:	AB	04-20-2009
THIRD ANGLE PROJECTION		EDS DATE 11-11-2011 FORMAT REV C
CONFIDENTIAL: THIS DRAWING AND ITS INFORMATION ARE THE EXCLUSIVE AND CONFIDENTIAL PROPERTY OF REGAL-BELOIT CORPORATION AND ARE NOT TO BE DISCLOSED, DUPLICATED, DISTRIBUTED OR OTHERWISE USED WITHOUT THE WRITTEN CONSENT OF REGAL-BELOIT CORPORATION. -ALL RIGHTS RESERVED.		

DESCRIPTION	
OUTLINE	
SIZE	DWG NO
C	ARB2034L4
SCALE	SHEET
NONE	1



CARACTERISTICAS DE GEOMETRIA Y SIMBOLOS ▽ PLANICIDAD — RECTITUD ∠ ANGULARIDAD ⊥ PERPENDICULARIDAD (A ESQUADRA) // PARALELISMO ○ REDONDEZ (CIRCULARIDAD) ⌀ CILINDRICIDAD ~ PERFIL DE CUALQUIER SUPERFICIE ~ PERFIL DE CUALQUIER LINEA † VARIACION ⊕ POSICION REAL ⊙ CONCENTRICIDAD ≡ SIMETRIA	A MENOS QUE SE ESPECIFIQUE DE OTRA MANERA, LAS TOLERANCIAS DE LAS DIMS: SON LAS SIGUIENTES: PULG ±.1 ±.02 ±.005 ±.0005 mm ±0.5 ±0.13 ±0.013 ANG. ±50 GRADOS ELIMINAR REBABAS Y ORILLAS FILOSAS DEL BORDE. PULG .003-.015 mm 0.1-0.4 FILETEAR ESQUINA: PULG .020 mm 0.5 MAQUINAR SUPERFICIES PULG .125 mm .32 DIMS METRICAS MOSTRADAS [PARENTESIS]	DIBUJADO POR: MG	04-20-2009	REGAL-BELOIT CORPORATION
		APROBADO POR: AB	04-20-2009	
		TERCER ANGULO DE PROYECCION 	FECHA EDS: 11-11-2011 REV. FORMATO: C	TAMANO: C
		CONFIDENCIAL: ESTE DIBUJO Y SU INFORMACION SON PROPIEDAD DE USO EXCLUSIVO Y CONFIDENCIAL DE REGAL-BELOIT CORPORATION. Y NO DEBERAN SER REVELADOS, DUPLICADOS, DISTRIBUIDOS O USARSE DE OTRA MANERA SIN EL CONSENTIMIENTO ESCRITO DE REGAL-BELOIT CORPORATION. -TODOS LOS DERECHOS RESERVADOS.		NUMERO DE DIBUJO: ARB2034L4
		ESCALA: NONE	HOJA: 1	



版本	ECO	编制	日期	批准	日期
B	ECO-0025365	T.HUANG	04-17-2012	B.C.SHEN	04-17-2012

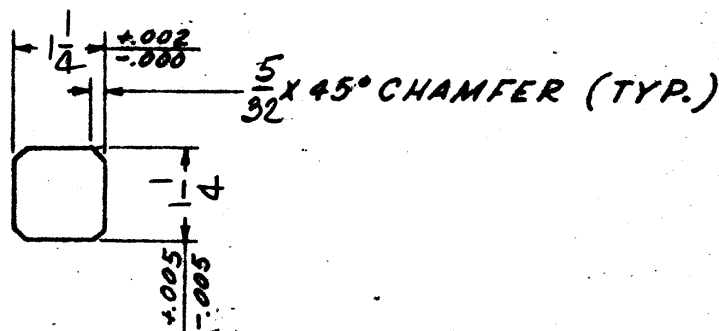
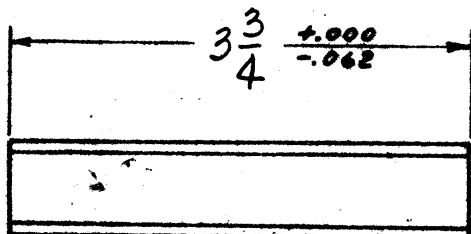
形位公差 □ 平面度 — 直线度 ∠ 倾斜度 ⊥ 垂直度 ∥ 平行度 ⊙ 圆度 ⊘ 圆跳动 ⌒ 面轮廓度 ⌚ 线轮廓度 ↗ 圆跳动 ↖ 位置度 ↕ 同轴度 ↔ 对称度	除另有注明 尺寸公差如下: 英寸 X XX XXX XXXX 毫米 ±.1 ±.02 ±.005 ±.0005 角度 ±.50 度 清理毛刺和尖棱 英寸 .003-.015 毫米 0.1-0.4 内圆角 英寸 .020 毫米 0.5 表面粗糙度 英制 125 米制 3.2 米制尺寸显示在 []
----------------------------------------------------------------------------------------------------------------------------	---------------------------------------------------------------------------------------------------------------------------------------------------------------------------------------

绘图:	MG	04-20-2009
批准:	AB	04-20-2009
第三角投影	⊕	图纸格式发布日期 11-11-2011 图纸格式版本 C
机密: 本图纸及相关信息所有权归REGAL-BELOIT CORPORATION 未经REGAL-BELOIT CORPORATION书面授权, 不得泄露、 复制、传播或作其他用途。--版权所有		

名称	OUTLINE
图幅	C 图号 ARB2034L4
比例	NONE 页号 1

REVISIONS							SUPERSEDED BY		LIMITS UNLESS NOTED
BY	NO. CHGS.	DESCRIPTION	E.C. NO.	BY	DATE	CHKD.	SUPERSEDES		

LIMITS UNLESS NOTED	
FRACTIONAL DIMENSIONS	
BETWEEN FINISHED SURFACES	± .018
BETWEEN UNFINISHED SURFACES	± .040
BETWEEN FINISHED AND UNFINISHED SURFACES	± .040
BREAK ALL SHARP EDGES	.018 MAX.
ANGLES	± 1/2°



MAT'L = KEYSTOCK

SCANNED
"A-SIZE DRAWING"

SCALE <i>NONE</i>	DATE	GEAR PRODUCTS OPERATIONS	KEY-SPECIAL	DWG. SIZE	REV.
DRAWN BY <i>S</i>	<i>9-5-69</i>	HEWITT ROBINS	CHAMFERED	<i>785619785</i>	
CHECKED BY					