





**Nameplate Specifications**

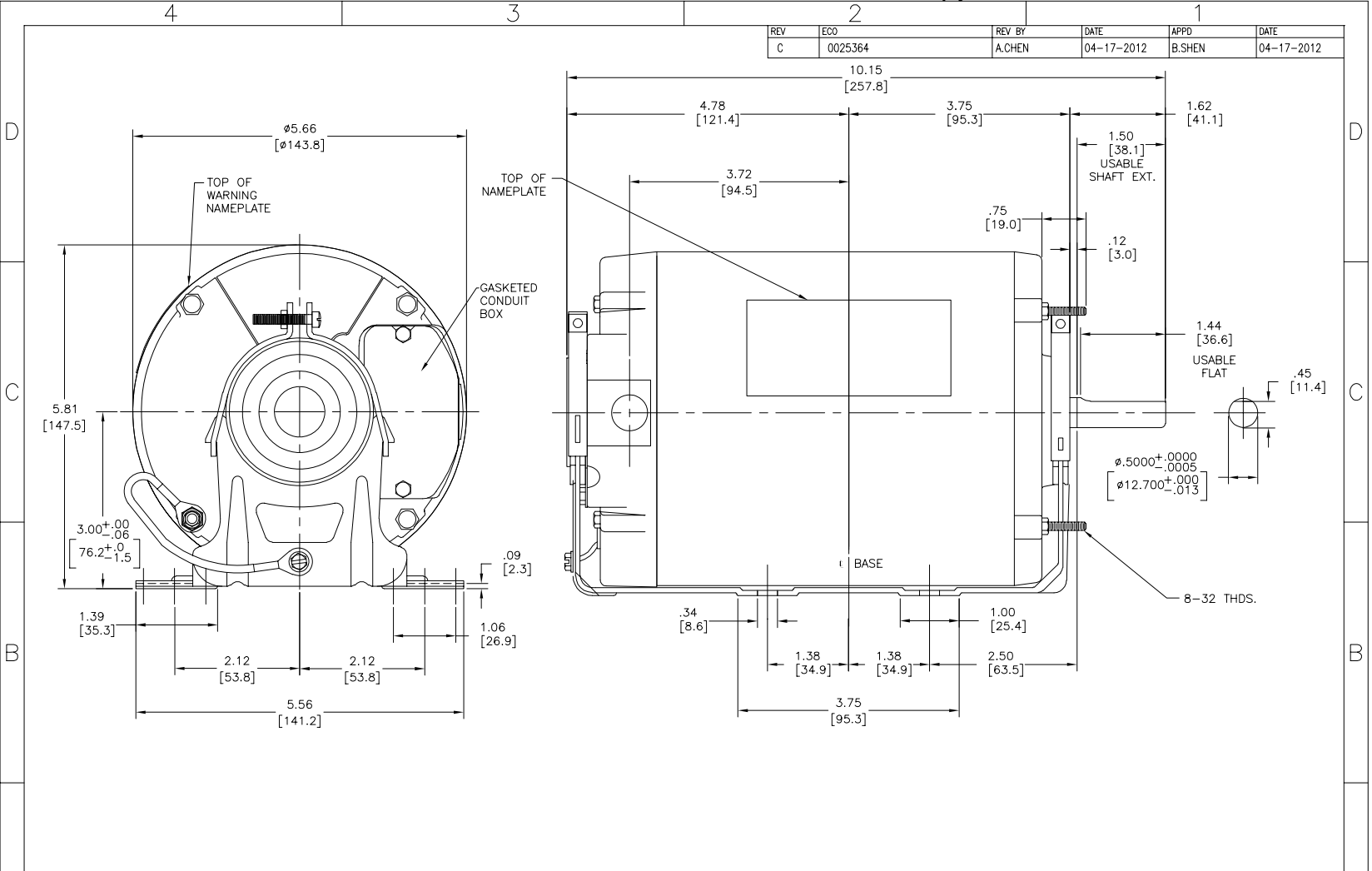
Output HP	.25 Hp	Output KW	0.19 kW
Frequency	60 Hz	Voltage	115/208-230 V
Current	6.2/2.8-3.1 A	Speed	1140 rpm
Service Factor	1	Phase	1
Duty	Continuous	Insulation Class	B
Frame	48Y	Enclosure	Totally Enclosed Air Over
Thermal Protection	None	Ambient Temperature	40 °C
UL	Recognized	CSA	Y
CE	N		

**Technical Specifications**

Electrical Type	Split Phase	Starting Method	Across The Line
Poles	6	Rotation	Reversible
Mounting	Resilient Base	Drive End Bearing	Ball
Opp Drive End Bearing	Ball	Frame Material	Rolled Steel
Shaft Type	Flat	Overall Length	10.15 in
Frame Length	5.69 in	Shaft Diameter	0.500 in
Shaft Extension	1.62 in		

This is an uncontrolled document once printed or downloaded and is subject to change without notice. Date Created:30/10/2019

REV	ECO	REV BY	DATE	APPD	DATE
C	0025364	A.CHEN	04-17-2012	B.SHEN	04-17-2012



GEOMETRIC CHARACTERISTICS & SYMBOLS

- FLATNESS
- STRAIGHTNESS
- ANGULARITY
- PERPENDICULARITY (SQUARENESS)
- PARALLELISM
- ROUNDNESS (CIRCULARITY)
- CYLINDRICITY
- PROFILE OF ANY SURFACE
- PROFILE OF ANY LINE
- RUNOUT
- TRUE POSITION
- CONCENTRICITY
- SYMMETRY

ASME Y14.5M 1994

UNLESS OTHERWISE SPECIFIED DIM. TOLERANCES ARE AS FOLLOWS:

INCH	X	XX	XXX	XXXX
	$\pm .1$	$\pm .02$	$\pm .005$	$\pm .0005$
mm	$\pm 0.5$	$\pm 0.13$	$\pm 0.013$	
ANG.	$\pm .50$	DEG		

REMOVE BURRS & BREAK SHARP EDGES:  
 INCH .003-.015 mm 0.1-0.4  
 CORNER FILLETS TO:  
 INCH .020 mm 0.5  
 MACHINE SURFACES:  
 INCH 125 mm 3.2  
 METRIC DIMS. SHOWN IN [BRACKETS]

DR BY: C. CARRILLO 02-04-2009

APPD: Matt Scott 02-04-2009

EDS DATE 11-11-2011  
 FORMAT REV G

THIRD ANGLE PROJECTION

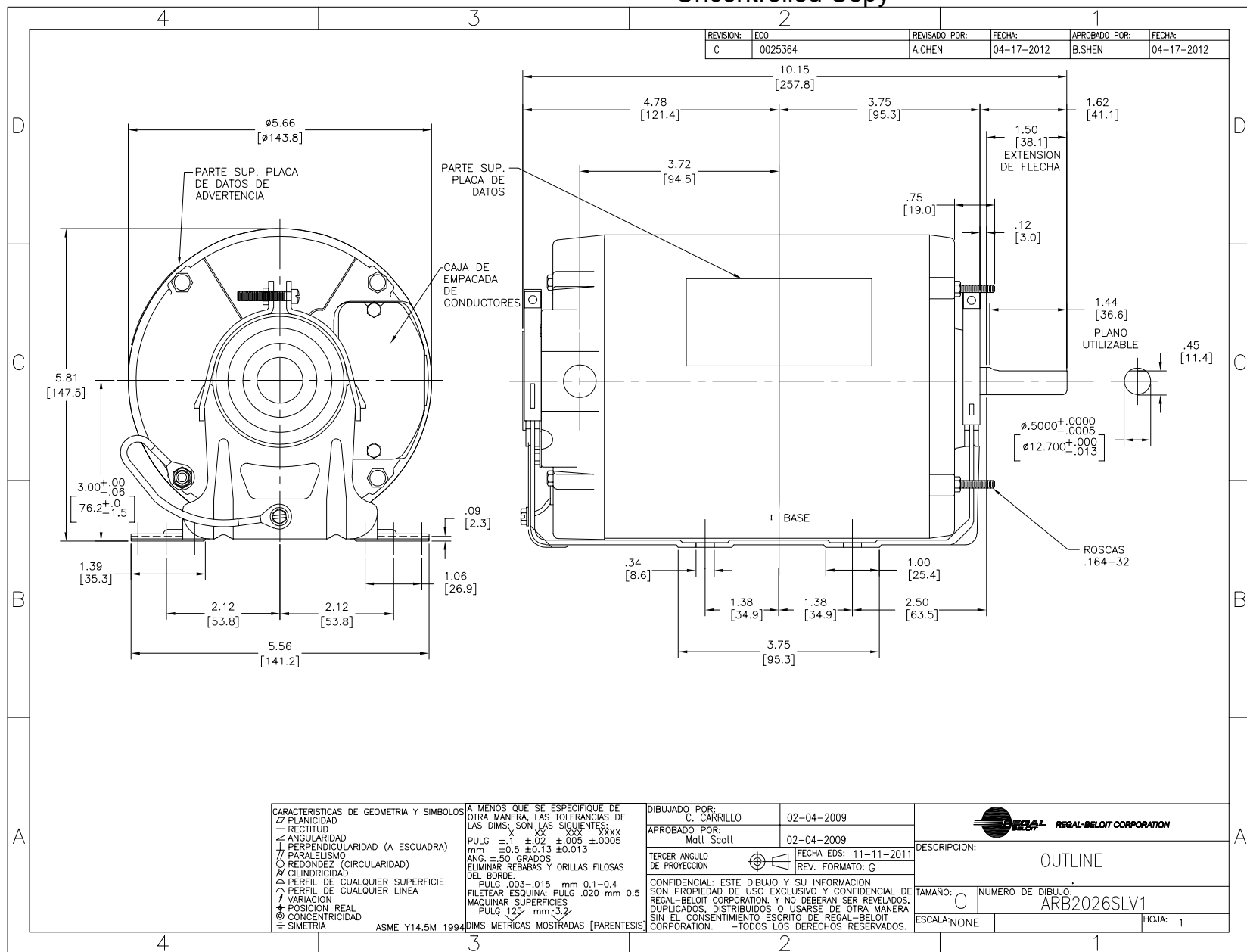
CONFIDENTIAL: THIS DRAWING AND ITS INFORMATION ARE THE EXCLUSIVE AND CONFIDENTIAL PROPERTY OF REGAL-BELOIT CORPORATION AND ARE NOT TO BE DISCLOSED, DUPLICATED, DISTRIBUTED OR OTHERWISE USED WITHOUT THE WRITTEN CONSENT OF REGAL-BELOIT CORPORATION. -ALL RIGHTS RESERVED.

REGAL-BELOIT CORPORATION

DESCRIPTION: OUTLINE

SIZE: C DWG NO: ARB2026SLV1

SCALE: NONE SHEET 1



<b>CARACTERÍSTICAS DE GEOMETRIA Y SIMBOLOS</b> ▽ PLANICIDAD — RECTITUD ∠ ANGULARIDAD ⊥ PERPENDICULARIDAD (A ESQUADRA) // PARALELISMO ○ REDONDEZ (CIRCULARIDAD) ∅ CILINDRICIDAD ∩ PERFIL DE CUALQUIER SUPERFICIE ∩ PERFIL DE CUALQUIER LINEA ↑ VARIACION ★ POSICION REAL ⊙ CONCENTRICIDAD = SIMETRIA	<b>A MENOS QUE SE ESPECIFIQUE DE OTRA MANERA, LAS TOLERANCIAS DE LAS DIMS. SON LAS SIGUIENTES:</b> PULG ±.1 ±.02 ±.005 ±.0005 mm ±0.5 ±0.13 ±0.013 ANG. ±50 GRADOS ELIMINAR REBASAS Y ORILLAS FILOSAS DEL BORDE. PULG .003-.015 mm 0.1-0.4 FILETEAR ESQUINA: PULG .020 mm 0.5 MAQUINAR SUPERFICIES PULG 125 mm .32	DIBUJADO POR: C. CARRILLO 02-04-2009 APROBADO POR: Matt Scott 02-04-2009	FECHA EDS: 11-11-2011 REV. FORMATO: G	DESCRIPCION: OUTLINE

