

# PRODUCT INFORMATION PACKET



Model No: AR2054  
Catalog No: AR2054  
1/2 HP Fan and Blower HVAC/R Motor, 1 phase, 1800 RPM, 115 V, 48 Frame, ODP  
Belt Drive Motors



Regal and Century are trademarks of Regal Beloit Corporation or one of its affiliated companies.  
©2019 Regal Beloit Corporation, All Rights Reserved. MC017097E

REGAL



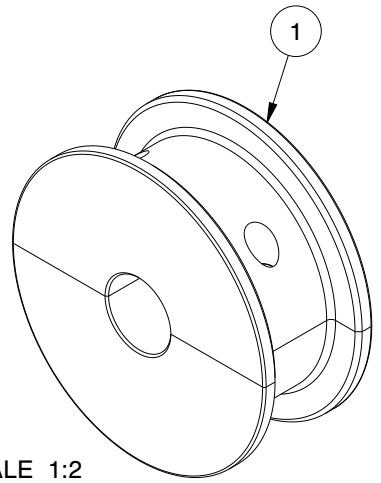
**Nameplate Specifications**

Output HP	<b>1/2 Hp</b>	Output KW	<b>0.37 kW</b>
Frequency	<b>60 Hz</b>	Voltage	<b>115 V</b>
Current	<b>7.2 A</b>	Speed	<b>1725 rpm</b>
Service Factor	<b>1.25</b>	Phase	<b>1</b>
Duty	<b>Continuous</b>	Insulation Class	<b>B</b>
Frame	<b>48</b>	Enclosure	<b>Open Drip Proof</b>
Thermal Protection	<b>Automatic</b>	Ambient Temperature	<b>40 °C</b>
UL	<b>No</b>	CSA	<b>Y</b>
CE	<b>N</b>		

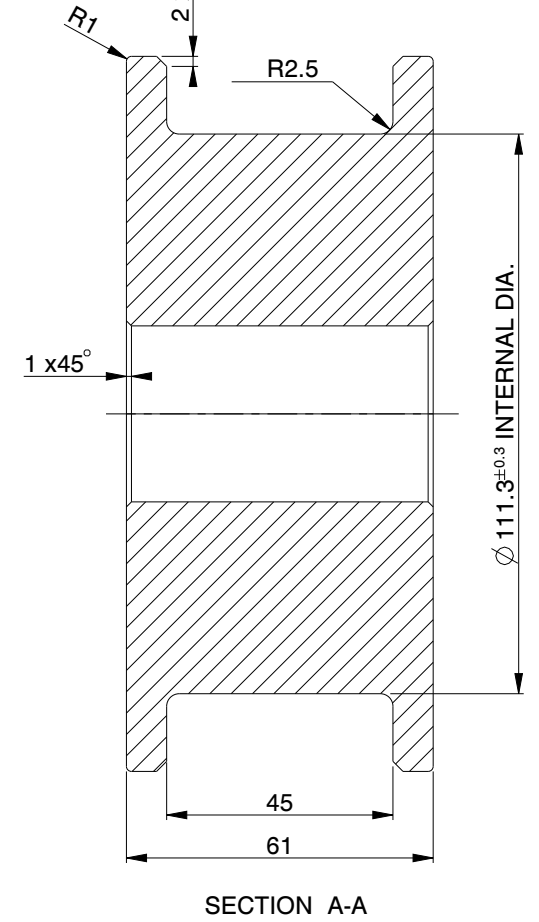
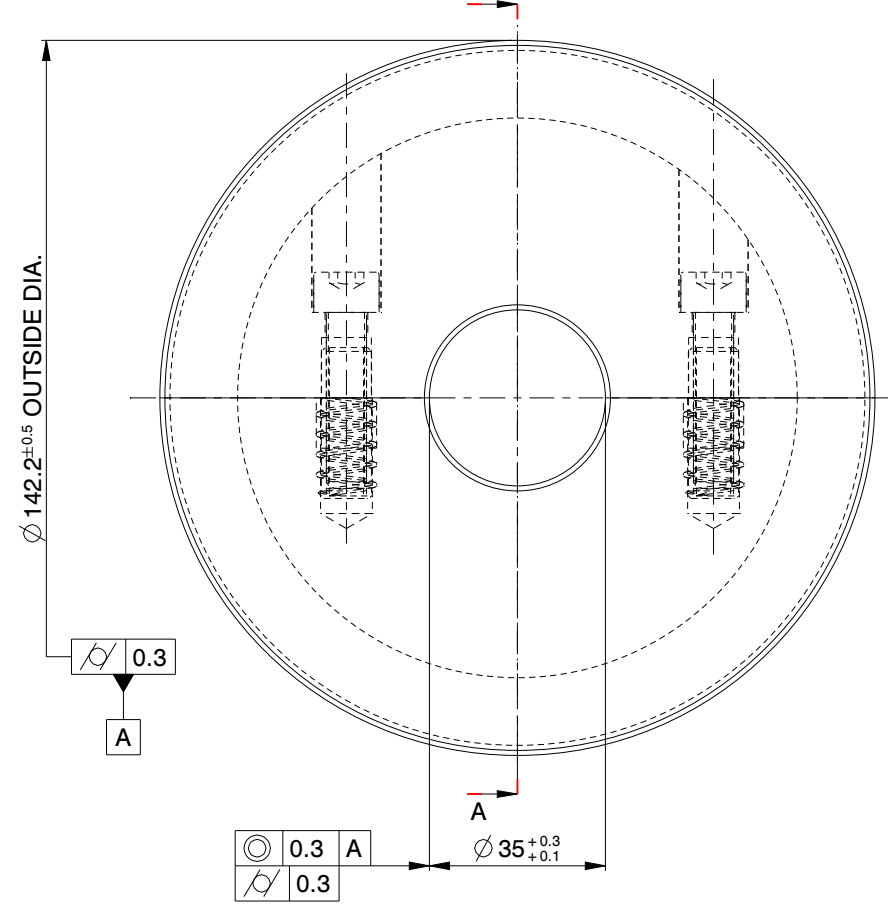
**Technical Specifications**

Electrical Type	<b>Split Phase</b>	Starting Method	<b>Across The Line</b>
Poles	<b>4</b>	Rotation	<b>Reversible</b>
Mounting	<b>Resilient Rings</b>	Drive End Bearing	<b>Sleeve</b>
Opp Drive End Bearing	<b>Sleeve</b>	Frame Material	<b>Rolled Steel</b>
Shaft Type	<b>Keyed</b>	Overall Length	<b>11.11 in</b>
Frame Length	<b>5.44 in</b>	Shaft Diameter	<b>0.625 in</b>
Shaft Extension	<b>1.62 in</b>		

This is an uncontrolled document once printed or downloaded and is subject to change without notice. Date Created:30/10/2019



SCALE 1:2



SECTION A-A

1	AA8706905	HDB-PA6-150-65-73-22	1	-	-
POS	PART NUMBER	ITEM DESCRIPTION	QTY	MATERIAL	COLOR

EXPERIMENTAL CODE	TOOL NUMBER / DIE NUMBER / EQUIPMENT NUMBER								
-	DOH	-							
MATERIAL DESCRIPTION	FLO	-							
MATERIAL COLOR	ZZ	-							
MATERIAL CODE	UNLESS INDIVIDUAL INDICATIONS, GENERAL TOLERANCES ACCORDING TO DIN ISO 2768 - MK								
WEIGHT	$\leq 6$	$\leq 6$	$\leq 30$	$\leq 120$	$\leq 315$	$\leq 1000$	$\leq 2000$	$\leq 4000$	$> 4000$
771.3 g	$\pm 0.1$	$\pm 0.2$	$\pm 0.3$	$\pm 0.5$	$\pm 0.8$	$\pm 1.2$	$\pm 2.0$	$\pm 3.0$	

**REGAL SYSTEM PLAST**

THE 2D DRAWING IS LEADING WITH RESPECT TO DIMENSIONS. FOR ALL DIMENSIONS NOT SPECIFICALLY MENTIONED REFER TO THE 3D MODEL.

DRAWN BY: M.BHAVIGADDI  
DATE: 01/08/2017

CHECKED BY: A.KADAM  
DATE: 02/08/2017

ITEM DESCRIPTION	820-23R35M-WMS		
LONG DESCRIPTION	SPROCKET		
PART NUMBER	12626		REV D
SIZE	A3	SHEET 1 / 2	SCALE 1:1
ECO	ECO-0128691		DO NOT SCALE THIS PRINT

COPYRIGHT SOLUS INDUSTRIAL INNOVATIONS, LLC AND SYSTEM PLAST SRL. ALL RIGHTS RESERVED. PROPRIETARY AND CONFIDENTIAL INFORMATION. THIS DOCUMENT IS THE PROPERTY OF SOLUS INDUSTRIAL INNOVATIONS, LLC AND SYSTEM PLAST SRL (OWNERS) AND CONTAINS OWNER'S PROPRIETARY INFORMATION. ANY PERSON, CORPORATION OR OTHER FIRM RECEIVING IT IS DEEMED, BY RECEIVING IT, TO AGREE THAT IT, AND/OR ANY PART OF IT, SHALL NOT BE DISCLOSED TO ANY OTHER PERSON, CORPORATION OR OTHER FIRM WITHOUT THE EXPRESS WRITTEN APPROVAL OF THE OWNERS. THIS DOCUMENT SHALL BE RETURNED TO OWNERS UPON REQUEST. IT MAY BE SUBJECT TO CERTAIN RESTRICTIONS UNDER APPLICABLE EXPORT CONTROL LAWS AND REGULATIONS.

PART NUMBER 12628

