

# PRODUCT INFORMATION PACKET



Model No: 924L  
Catalog No: 924L  
1/4-.07 HP 2 speed Fan and Blower HVAC/R Motor, 1 phase, 1800/1200 RPM, 115 V, 48Z Frame, ODP  
Belt Drive Motors



Regal and Century are trademarks of Regal Beloit Corporation or one of its affiliated companies.  
©2019 Regal Beloit Corporation, All Rights Reserved. MC017097E

REGAL



**Nameplate Specifications**

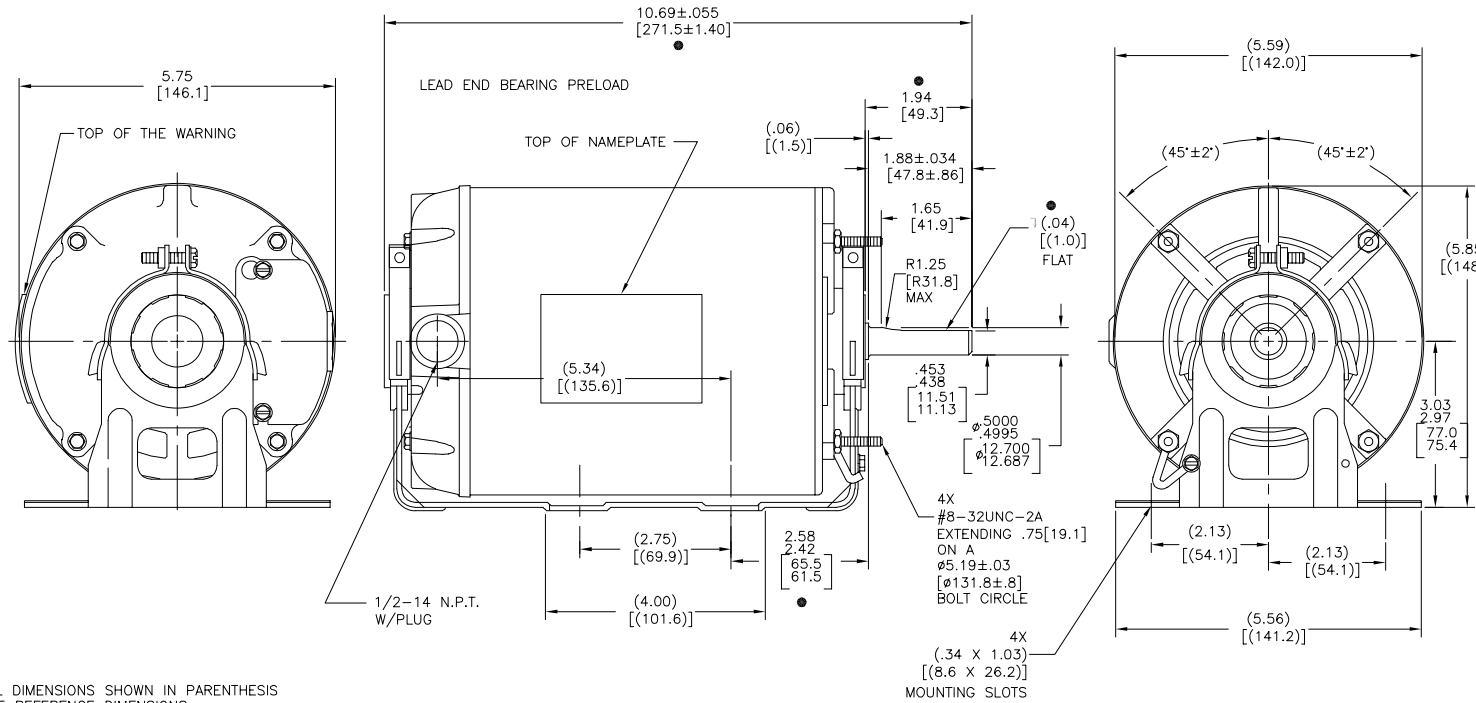
Output HP	<b>1/4-.07 Hp</b>	Output KW	<b>0.19 kW</b>
Frequency	<b>60 Hz</b>	Voltage	<b>115 V</b>
Current	<b>3.7/2.1 A</b>	Speed	<b>1725/1140 rpm</b>
Service Factor	<b>1</b>	Phase	<b>1</b>
Duty	<b>Continuous</b>	Insulation Class	<b>B</b>
Frame	<b>48Z</b>	Enclosure	<b>Open Drip Proof</b>
Thermal Protection	<b>None</b>	Ambient Temperature	<b>40 °C</b>
UL	<b>Recognized</b>	CSA	<b>Y</b>
CE	<b>N</b>		

**Technical Specifications**

Electrical Type	<b>Split Phase</b>	Starting Method	<b>Across The Line</b>
Poles	<b>4/6</b>	Rotation	<b>Reversible</b>
Mounting	<b>Resilient Base</b>	Drive End Bearing	<b>Ball</b>
Opp Drive End Bearing	<b>Ball</b>	Frame Material	<b>Rolled Steel</b>
Shaft Type	<b>Flat</b>	Overall Length	<b>10.69 in</b>
Frame Length	<b>5.94 in</b>	Shaft Diameter	<b>0.500 in</b>
Shaft Extension	<b>1.94 in</b>		

This is an uncontrolled document once printed or downloaded and is subject to change without notice. Date Created:30/10/2019

REV	ECO	REV BY	DATE	APPD	DATE
D	ECO-0033305	M.JOSEFOVSKY	05-15-2013	M.RAMIREZ	05-15-2013



ALL DIMENSIONS SHOWN IN PARENTHESIS ARE REFERENCE DIMENSIONS.

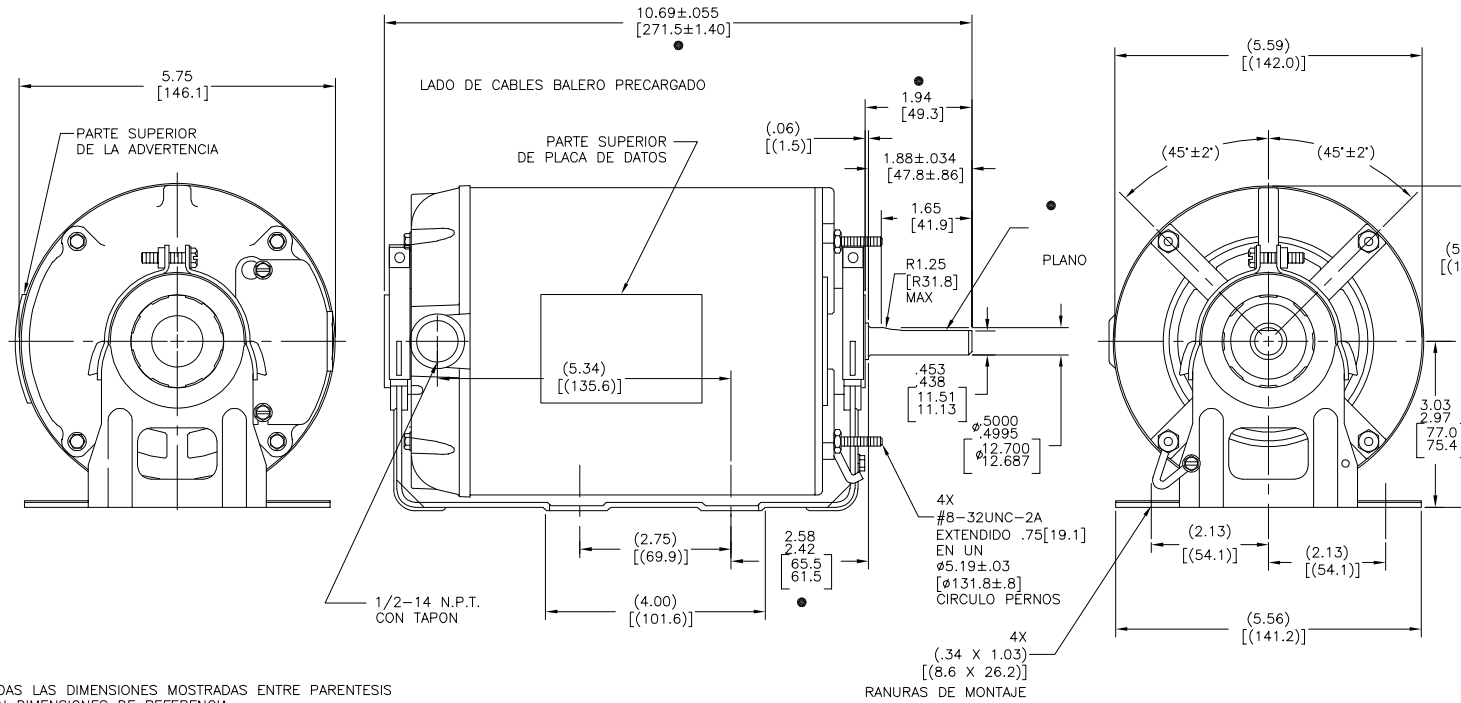
● = CRITICAL DIMENSION

CATALOG MOTOR 924L

<b>GEOMETRIC CHARACTERISTICS &amp; SYMBOLS</b> ▽ FLATNESS — STRAIGHTNESS ∠ ANGULARITY ⊥ PERPENDICULARITY (SQUARENESS) ∥ PARALLELISM ○ ROUNDNESS (CIRCULARITY) ⌀ CYLINDRICITY ▭ PROFILE OF ANY SURFACE ∩ PROFILE OF ANY LINE ⌒ ROUNDTOP ⬤ TRUE POSITION ⊙ CONCENTRICITY = SYMMETRY ASME Y14.5M 1994	UNLESS OTHERWISE SPECIFIED DIM. TOLERANCES ARE AS FOLLOWS: INCH X XX XXX XXXX ±.1 ±.02 ±.005 ±.0005 mm ±0.5 ±0.13 ±0.013 ANG. ±.50 DEG REMOVE BURRS & BREAK SHARP EDGES: INCH .003-.015 mm 0.1-0.4 CORNER FILLETS TO: INCH .020 mm 0.5 MACHINE SURFACES: INCH 125 mm 3.2 METRIC DIMS. SHOWN IN [BRACKETS]	DR BY: JH	02-11-2009	<b>REGAL-BELOIT CORPORATION</b> DESCRIPTION: MODEL-CFH-48FR OUTLINE SIZE: C DWG NO: 924L SCALE: NONE SHEET 1
		APPD: LH	02-11-2009	
		THIRD ANGLE PROJECTION	EDS DATE 11-11-2011 FORMAT REV H	
		CONFIDENTIAL: THIS DRAWING AND ITS INFORMATION ARE THE EXCLUSIVE AND CONFIDENTIAL PROPERTY OF REGAL-BELOIT CORPORATION AND ARE NOT TO BE DISCLOSED, DUPLICATED, DISTRIBUTED OR OTHERWISE USED WITHOUT THE WRITTEN CONSENT OF REGAL-BELOIT CORPORATION. -ALL RIGHTS RESERVED.		

# Uncontrolled Copy

REVISION: ECO	REVISADO POR: M.JOSEFOVSKY	FECHA: 05-15-2013	APROBADO POR: M.RAMIREZ	FECHA: 05-15-2013
D	ECO-0033305			



TODAS LAS DIMENSIONES MOSTRADAS ENTRE PARENTESIS SON DIMENSIONES DE REFERENCIA

● = DIMENSION CRITICA

MOTOR DE CATALOGO 924L

<b>CARACTERISTICAS DE GEOMETRIA Y SIMBOLOS</b> ▽ PLANICIDAD — RECTITUD ∠ ANGULARIDAD ⊥ PERPENDICULARIDAD (A ESQUADRA) // PARALELISMO ○ REDONDEZ (CIRCULARIDAD) ∅ CILINDRICIDAD ~ PERFIL DE CUALQUIER SUPERFICIE ~ PERFIL DE CUALQUIER LINEA f VARIACION ★ POSICION REAL ⊙ CONCENTRICIDAD = SIMETRIA	<b>A MENOS QUE SE ESPECIFIQUE DE OTRA MANERA, LAS TOLERANCIAS DE LAS DIMS. SON LAS SIGUIENTES:</b> PULG ±.1 ±.02 ±.005 ±.0005 mm ±0.5 ±0.13 ±0.013 ANG. ±50 GRADOS ELIMINAR REBABAS Y ORILLAS FILOSAS DEL BORDE. PULG .003-.015 mm 0.1-0.4 FILETEAR ESQUINA: PULG .020 mm 0.5 MAQUINAR SUPERFICIES PULG 12 mm 3.2	DIBUJADO POR: JH APROBADO POR: LH TERCER ANGULO DE PROYECCION	02-11-2009 02-11-2009 FECHA EDS: 11-11-2011 REV. FORMATO: H	<b>REGAL</b> <b>REGAL-BELOIT CORPORATION</b> DESCRIPCION: MODEL-CFH-48FR OUTLINE TAMAÑO: C NUMERO DE DIBUJO: 924L ESCALA: NONE HOJA: 1