

PRODUCT INFORMATION PACKET



Model No: 5BK3072
Catalog No: 5BK3072
3/4 HP General Purpose Motor, 3 phase, 3600 RPM, 575 V, 56 Frame, ODP
Three Phase ODP Motors



Regal and Century are trademarks of Regal Beloit Corporation or one of its affiliated companies.
©2019 Regal Beloit Corporation, All Rights Reserved. MC017097E

The REGAL logo consists of the word 'REGAL' in a bold, white, sans-serif font, set against a dark grey rectangular background with a slight shadow effect.

REGAL



Nameplate Specifications

Output HP	3/4 Hp	Output KW	0.56 kW
Frequency	60 Hz	Voltage	575 V
Current	1.05 A	Speed	3450 rpm
Service Factor	1.5	Phase	3
Duty	Continuous	Insulation Class	A
Frame	56	Enclosure	Open Drip Proof
Thermal Protection	Automatic	Ambient Temperature	40 °C
UL	No	CSA	Y
CE	N		

Technical Specifications

Electrical Type	Three Phase	Starting Method	Across The Line
Poles	2	Rotation	Reversible
Mounting	Resilient Base	Drive End Bearing	Ball
Opp Drive End Bearing	Ball	Frame Material	Rolled Steel
Shaft Type	Keyed	Overall Length	11.44 in
Frame Length	6.38 in	Shaft Diameter	0.600 in
Shaft Extension	1.9 in		

This is an uncontrolled document once printed or downloaded and is subject to change without notice. Date Created:30/10/2019

4

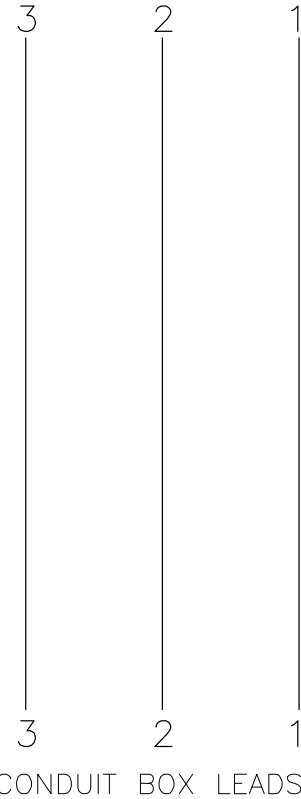
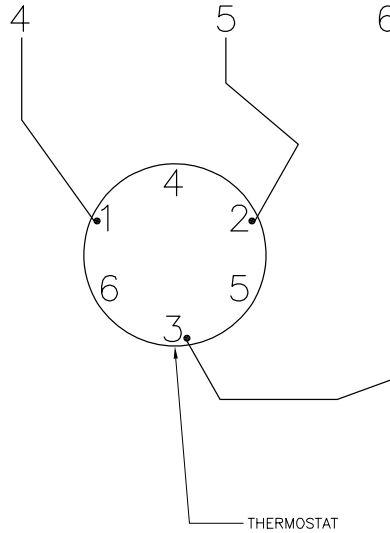
3

2

1

REV	ECO	REV BY	DATE	APPD	DATE
C	0001343	AJB	07-29-2008	AJB	07-29-2008

STATOR LEADS



CONDUIT BOX LEADS

GEOMETRIC CHARACTERISTICS & SYMBOLS

- ▭ FLATNESS
- STRAIGHTNESS
- ∠ ANGULARITY
- ⊥ PERPENDICULARITY (SQUARENESS)
- // PARALLELISM
- ROUNDNESS (CIRCULARITY)
- ⌀ CYLINDRICITY
- △ PROFILE OF ANY SURFACE
- ⌒ PROFILE OF ANY LINE
- ♣ RUNOUT
- ⊕ TRUE POSITION
- ◎ CONCENTRICITY
- ≡ SYMMETRY

UNLESS OTHERWISE SPECIFIED
DIM. TOLERANCES ARE AS FOLLOWS:

INCH	±.1	±.02	±.005	±.0005
mm	±0.5	±0.13	±0.013	

ANG. ±.50 DEG
REMOVE BURRS & BREAK SHARP EDGES:
INCH .003-015 mm 0.1-0.4
CORNER FILLETS TO:
INCH .020 mm 0.5
MACHINE SURFACES:
INCH 125 mm 3.2
METRIC DIMS. SHOWN IN [BRACKETS]

DR BY:	DRB	01-25-1961
APPD:	PN	01-27-1961
THIRD ANGLE PROJECTION		EDS DATE 01-21-2007 FORMAT REV F
CONFIDENTIAL: THIS DRAWING AND ITS INFORMATION ARE THE EXCLUSIVE AND CONFIDENTIAL PROPERTY OF A.O. SMITH CORP. AND ARE NOT TO BE DISCLOSED, DUPLICATED, DISTRIBUTED OR OTHERWISE USED WITHOUT THE WRITTEN CONSENT OF A.O. SMITH CORP. -ALL RIGHTS RESERVED. ASME Y14.5M 1994		

	ELECTRICAL PRODUCTS COMPANY <small>A DIVISION OF A.O. SMITH CORPORATION</small>
DESCRIPTION CONN DIAGRAM-EXTERNAL	
SIZE C	DWG NO 607394
SCALE NONE	SHEET 1

4

3

2

1

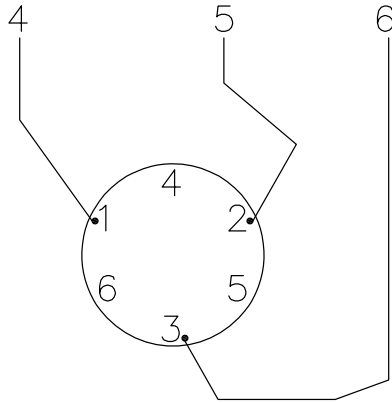
4

3

2

1

REVISION:	ECO	REVISADO POR:	FECHA:	APROBADO POR:	FECHA:
C	0001343	AJB	07-29-2008	AJB	07-29-2008



3

2

1

3

2

1

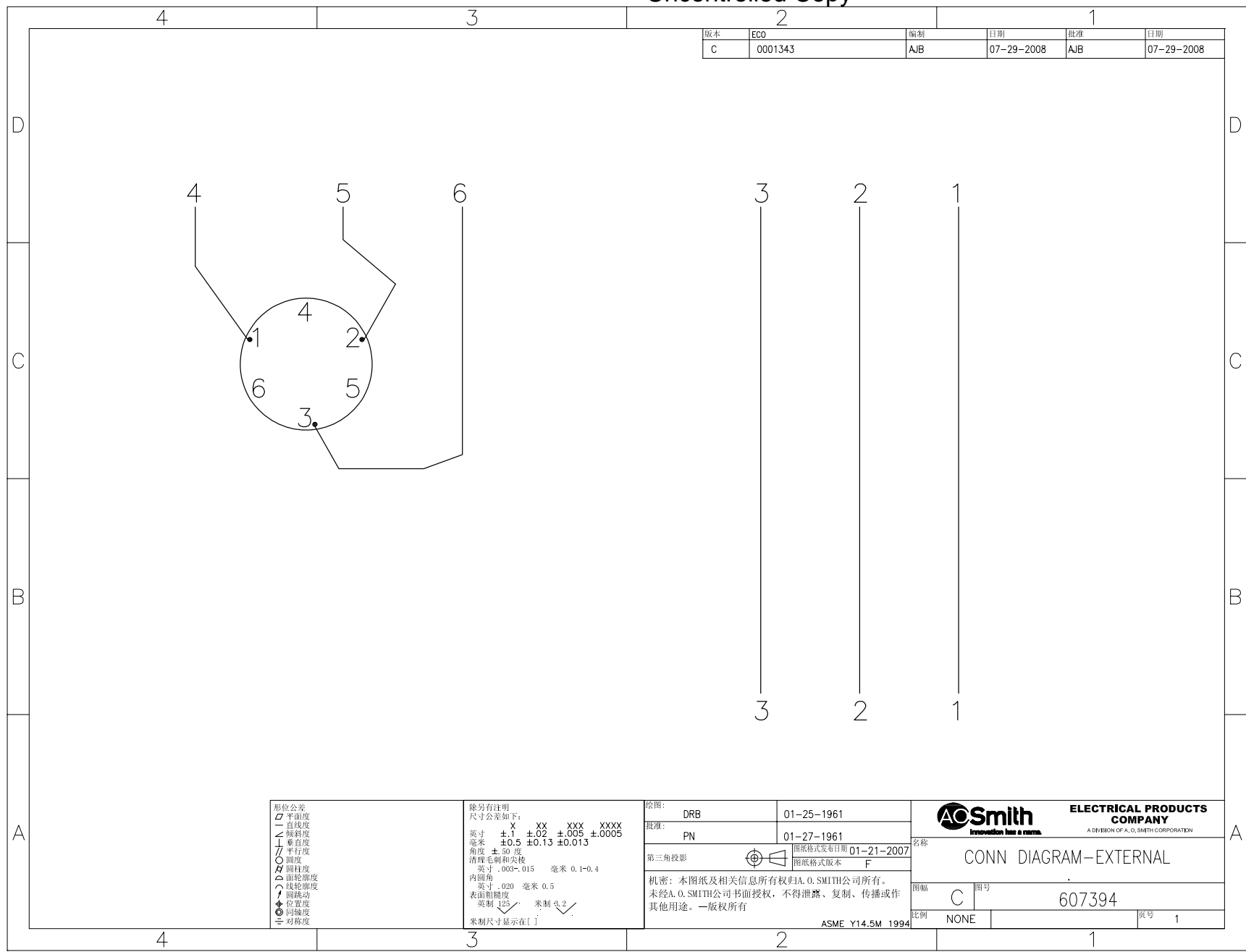
CARACTERISTICAS DE GEOMETRIA Y SIMBOLOS ▽ PLANICIDAD — RECTITUD ∠ ANGULARIDAD ⊥ PERPENDICULARIDAD (A ESQUADRA) // PARALELISMO ○ REDONDEZ (CIRCULARIDAD) Ⓞ CILINDRICIDAD Ⓢ PERFIL DE CUALQUIER SUPERFICIE Ⓡ PERFIL DE CUALQUIER LINEA † VARIACION ⊕ POSICION REAL ⊙ CONCENRICIDAD ≡ SIMETRIA	A MENOS QUE SE ESPECIFIQUE DE OTRA MANERA, LAS TOLERANCIAS DE LAS DIMS. SON LAS SIGUIENTES: PULG ±.1 ±.02 ±.005 ±.0005 mm ±0.5 ±0.13 ±0.013 ANG. ±50 GRADOS ELIMINAR REBABAS Y ORILLAS FILOSAS DEL BORDE. PULG .003-.015 mm 0.1-0.4 FILETEAR ESQUINA: PULG .020 mm 0.5 MAQUINAR SUPERFICIES PULG 125 mm 3.2 DIMS METRICAS MOSTRADAS [PARENTESIS]	DIBUJADO POR: DRB	01-25-1961		DESCRIPCION: CONN DIAGRAM-EXTERNAL
		APROBADO POR: PN	01-27-1961		
CONFIDENCIAL: ESTE DIBUJO Y SU INFORMACION SON PROPIEDAD DE USO EXCLUSIVO Y CONFIDENCIAL DE A.O.SMITH CORP. Y NO DEBERAN SER REVELADOS. DUPLICADOS, DISTRIBUIDOS O USARSE DE OTRA MANERA SIN EL CONSENTIMIENTO ESCRITO DE A.O. SMITH CORP. -TODOS LOS DERECHOS RESERVADOS.ASME Y14.5M 1994				TAMAÑO: C	NUMERO DE DIBUJO: 607394
				ESCALA: NONE	HOJA: 1

4

3

2

1



版本	ECO	编制	日期	批准	日期
C	0001343	AJB	07-29-2008	AJB	07-29-2008

形位公差 □ 平面度 — 直线度 ∠ 倾斜度 ⊥ 垂直度 // 平行度 ○ 圆度 ⊙ 圆柱度 Ⓜ 面轮廓度 Ⓡ 线轮廓度 Ⓢ 圆跳动 Ⓣ 位置度 Ⓤ 同轴度 ≡ 对称度	除另有注明 尺寸公差如下: 英寸 X XX XXX XXXX 毫米 ±.1 ±.02 ±.005 ±.0005 角度 ±.50 度 清理毛刺和尖棱 英寸 .003-.015 毫米 0.1-0.4 内圆角 英寸 .020 毫米 0.5 表面粗糙度 英制 125 米制 3.2 米制尺寸显示在[]	绘图: DRB 01-25-1961 批准: PN 01-27-1961 第三角投影 01-21-2007 图版格式版本 F 机密: 本图纸及相关信息所有权归A. O. SMITH公司所有。 未经A. O. SMITH公司书面授权, 不得泄露、复制、传播或作 其他用途。—版权所有 ASME Y14.5M 1994	AC Smith Innovation has a name. ELECTRICAL PRODUCTS COMPANY A DIVISION OF A. O. SMITH CORPORATION 名称 CONN DIAGRAM-EXTERNAL 图幅 C 图号 607394 比例 NONE 页号 1
---	---	---	--