



BALDOR® • RELIANCE

Product Information Packet

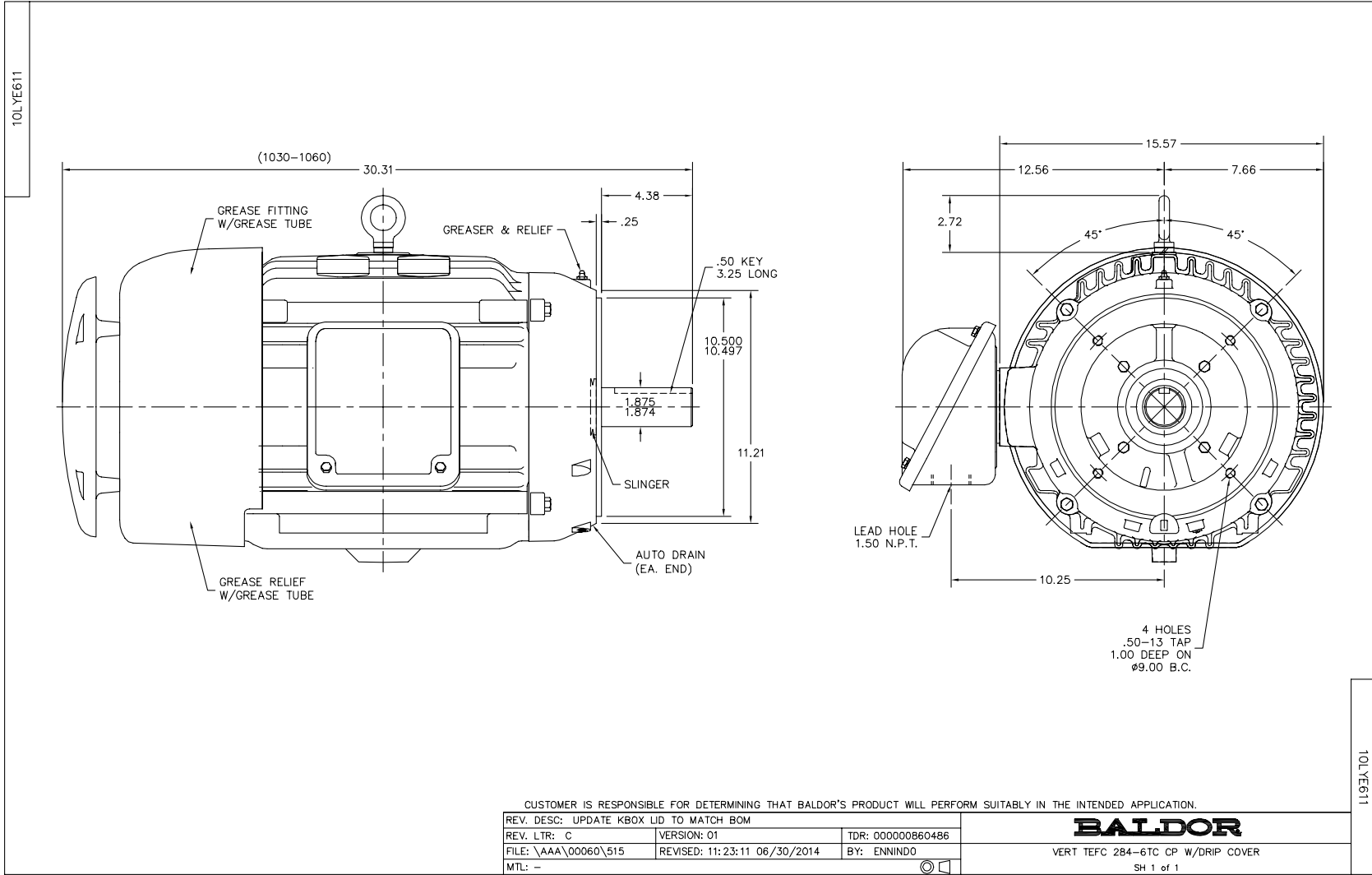
VCP4102T

20HP, 1175RPM, 3PH, 60HZ, 284TC, 1040M, TEFC, F

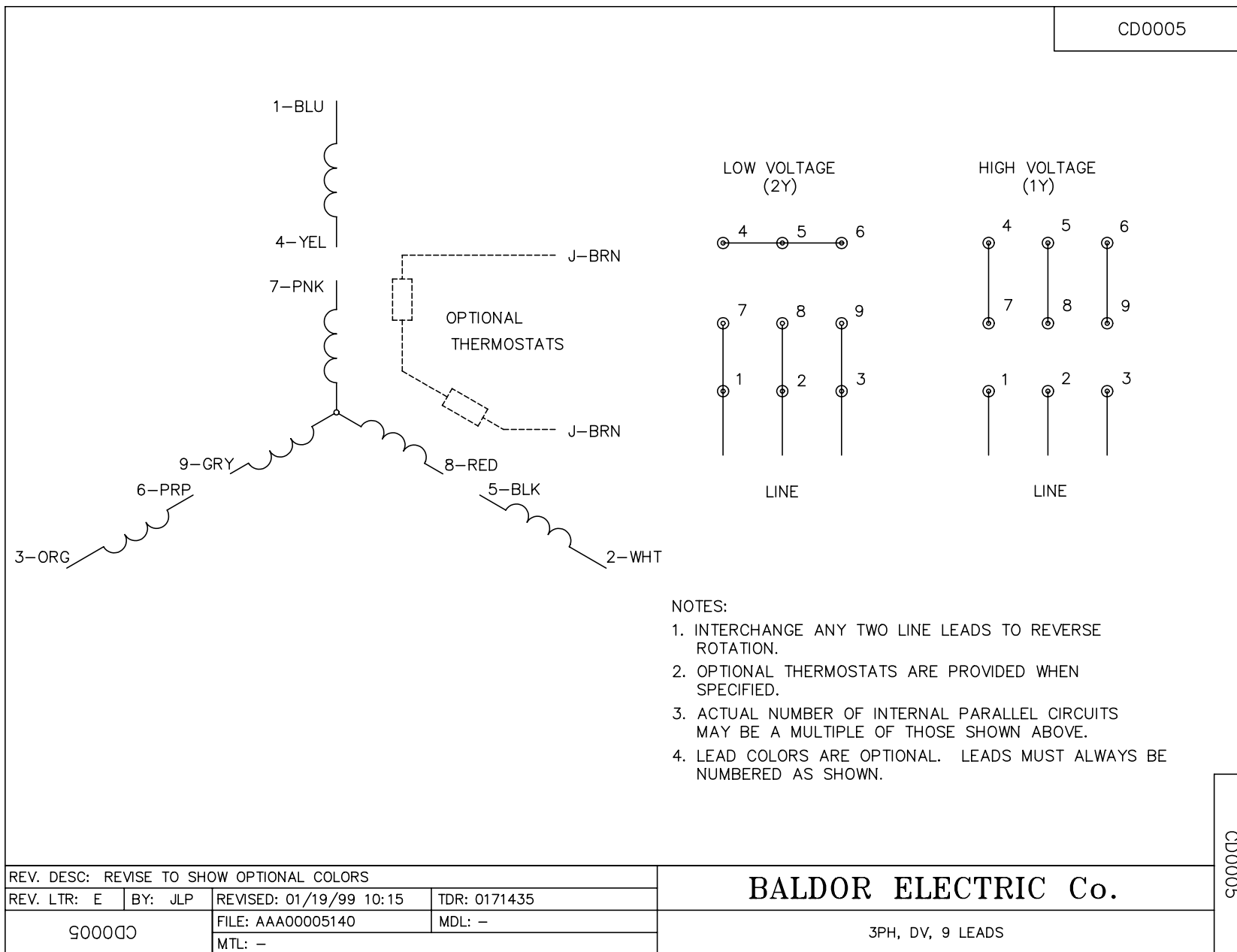
Part Detail							
Revision:	N	Status:	INA/A	Change #:		Proprietary:	No
Type:	AC	Prod. Type:	1040M	Elec. Spec:	10WGX911	CD Diagram:	CD0005
Enclosure:	TEFC	Mfg Plant:		Mech. Spec:	10E611	Layout:	10LYE611
Frame:	286TC	Mounting:	F1	Poles:	06	Created Date:	02-06-2006
Base:	N	Rotation:	R	Insulation:	F	Eff. Date:	02-16-2010
Leads:	9#10					Replaced By:	
Literature:		Elec. Diagram:					

No performance data has been assigned to this product.

Dealers Industrial Equipment -- Visit <https://DealersElectric.com> or call (908) 688-1966 for all of your electric motor & VFD needs!



Dealers Industrial Equipment -- Visit <https://DealersElectric.com> or call (908) 688-1966 for all of your electric motor & VFD needs!



CD0005