



# **BALDOR® • RELIANCE**

## **Product Information Packet**

### **P56H5415**

**.5HP,3450RPM,3PH,60HZ,56C,3420M,TENV,F1**

Part Detail							
Revision:	G	Status:	PRD/A	Change #:		Proprietary:	No
Type:	AC	Prod. Type:	3420M	Elec. Spec:	34WG3229	CD Diagram:	CD0005
Enclosure:	TENV	Mfg Plant:		Mech. Spec:	34K762	Layout:	34LYK762
Frame:	56C	Mounting:	F1	Poles:	02	Created Date:	04-11-2007
Base:	RG	Rotation:	R	Insulation:	F	Eff. Date:	10-11-2012
Leads:	9#18					Replaced By:	
Literature:		Elec. Diagram:					

Dealers Industrial Equipment -- Visit <https://DealersElectric.com> or call (908) 688-1966 for all of your electric motor & VFD needs!

## Nameplate NP1258E

CAT.NO.	P56H5415		
SPEC.	34K762-3229G1		
HP	.5		
VOLTS	208-230/460		
AMP	1.8-1.6/.8		
RPM	3450		
FRAME	56C	HZ	60
SER.F.	1.15	CODE	N
NEMA-NOM-EFF	79	PF	74
RATING	40C AMB-CONT		
CC		DES	B
DE	6203	ODE	6203
ENCL	TENV	SN	
		PH	3
		CL	F
		USABLE AT 208V	2

Nameplate NP0090E	
FRONT	6203
PULLEY	6203
LUBRICATE WITH	
GREASE	POLYREX EM

Parts List		
Part Number	Description	Quantity
SA156528	SA 34K762-3229G1	1.000 EA
RA145134	RA 34K762-3229G1	1.000 EA
NS2512A01	INSULATOR, CONDUIT BOX X	1.000 EA
34CB1000A01G	KO BOX, MACH, W/POWDER COAT & .50 N.P.T.	1.000 EA
34GS1012	GASKET, CONDUIT BOX NEOP	1.000 EA
51XB1016A07	10-16 X 7/16 HXWSSLD SERTYB	2.000 EA
11XW1032G06	10-32 X .38, TAPTITE II, HEX WSHR SLTD U	1.000 EA
HW3001B01	BRASS CUP WASHER, FOR #8 SCREW	1.000 EA
34EP1100A19G	FR/PU ENDPLATE, MACH PAINTED	1.000 EA
HW5100A03	WAVY WASHER (W1543-017)	1.000 EA
34EP1300A11G	PU ENDPLATE MACH, COATED	1.000 EA
51XN1032A20	10-32 X 1 1/4 HX WS SL SR	2.000 EA
HW4600B39SP	V-RING SLINGER 0.550 X 0.790 X .18 VITON	1.000 EA
34CB4512G	GRAY POWDER COAT 34CB4512 LID	1.000 EA
34GS1007	GASKET, CONDUIT BOX LID MODEL 34 (BLACK	1.000 EA
51XW0832A07	8-32 X .44, TAPTITE II, HEX WSHR SLTD SE	4.000 EA
HW2501D13	KEY, 3/16 SQ X 1.375	1.000 EA
HA7000A04	KEY RETAINER 0.625 DIA SHAFTS	1.000 EA
MJ5001A27	32220KN GRAY SEALER *MIN BUY 4 QTS=1GAL	0.001 QT
MG1025N19	PAINT, 778.50 WILKO, RELIANCE ELEC GREEN	0.014 GA
10XF0440S02	04-40 X 1/8 TYPE F HEX HD STAINLESS STIC	4.000 EA
LB1002N	LABEL,MARINE DUTY (ON ROLLS)	1.000 EA
HA3100A44	THRUBOLT 10-32 X 8.000	4.000 EA
LC0005E01	CONN.DIA./WARNING LABEL (LC0005/LB1119N)	1.000 EA

Dealers Industrial Equipment -- Visit <https://DealersElectric.com> or call (908) 688-1966 for all of your electric motor & VFD needs!

Parts List (continued)		
Part Number	Description	Quantity
NP1258E	SS CP UL CSA CC	1.000 EA
NP0090E	SS NO LOGO'S BEARING & GREASE DATA	1.000 EA
34PA1002	PKG GRP, PRINT PK1001A01	1.000 EA

Dealers Industrial Equipment -- Visit <https://DealersElectric.com> or call (908) 688-1966 for all of your electric motor & VFD needs!

**AC Induction Motor Performance Data**  
Record # 50685 - Typical performance - not guaranteed values

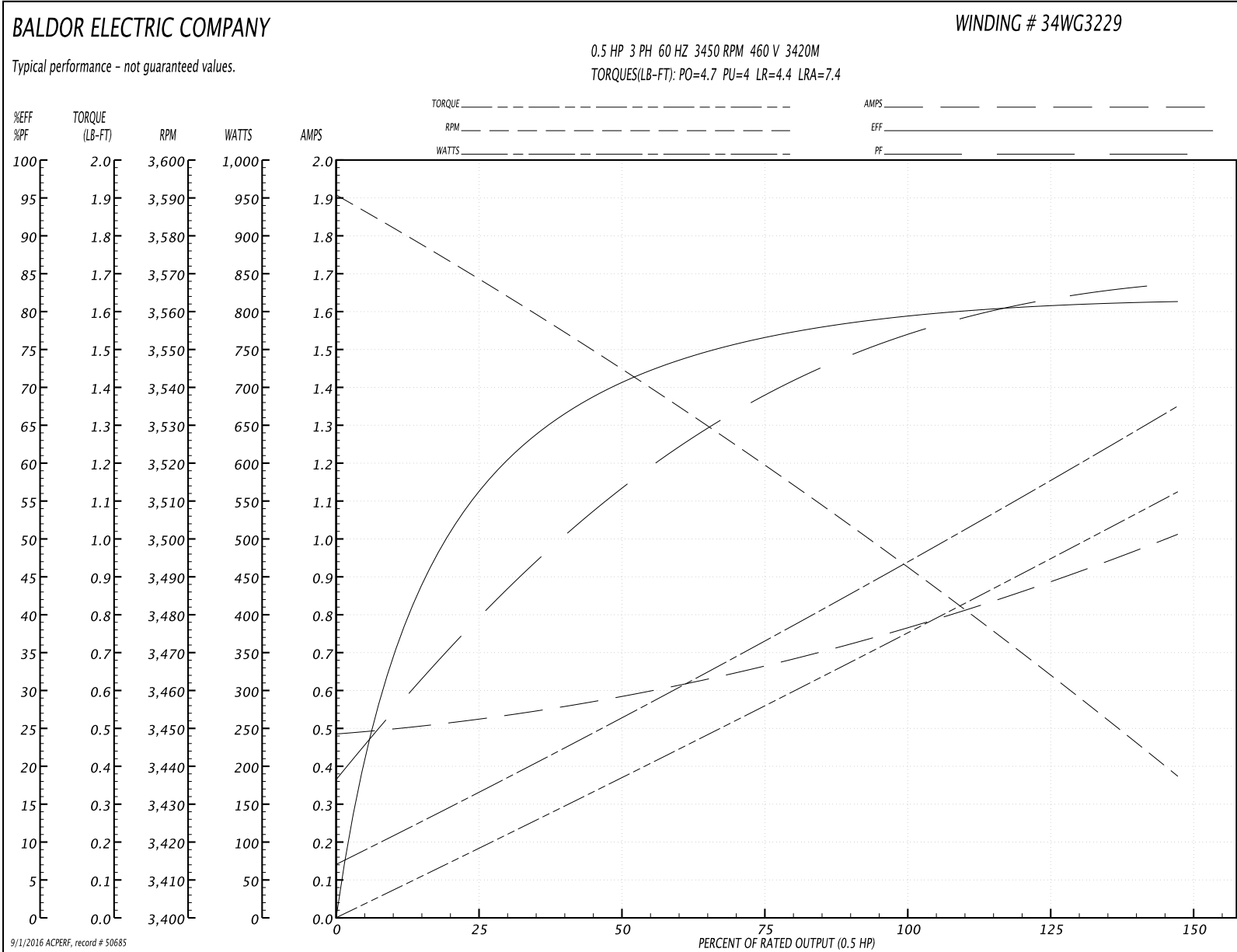
<b>Winding:</b> 34WG3229-R006	<b>Type:</b> 3420M	<b>Enclosure:</b> TENV
-------------------------------	--------------------	------------------------

Nameplate Data				460 V, 60 Hz: High Voltage Connection	
Rated Output (HP)	.5			Full Load Torque	0.75 LB-FT
Volts	208-230/460			Start Configuration	direct on line
Full Load Amps	1.8-1.6/.8			Breakdown Torque	4.7 LB-FT
R.P.M.	3450			Pull-up Torque	4 LB-FT
Hz	60	Phase	3	Locked-rotor Torque	4.4 LB-FT
NEMA Design Code	B	KVA Code	N	Starting Current	7.4 A
Service Factor (S.F.)	1.15			No-load Current	0.49 A
NEMA Nom. Eff.	79	Power Factor	74	Line-line Res. @ 25°C	20.6 Ω
Rating - Duty	40C AMB-CONT			Temp. Rise @ Rated Load	48°C
S.F. Amps				Temp. Rise @ S.F. Load	52°C
				Rotor inertia	0.0186 LB-FT <sup>2</sup>

**Load Characteristics 460 V, 60 Hz, 0.5 HP**

% of Rated Load	25	50	75	100	125	150	S.F.
Power Factor	40	57	69	77	82	86	80
Efficiency	56.5	70.7	76.6	79.5	80.8	81.3	80.3
Speed	3568	3544	3519	3493	3466	3437	3477
Line amperes	0.52	0.58	0.67	0.77	0.88	1.01	0.836

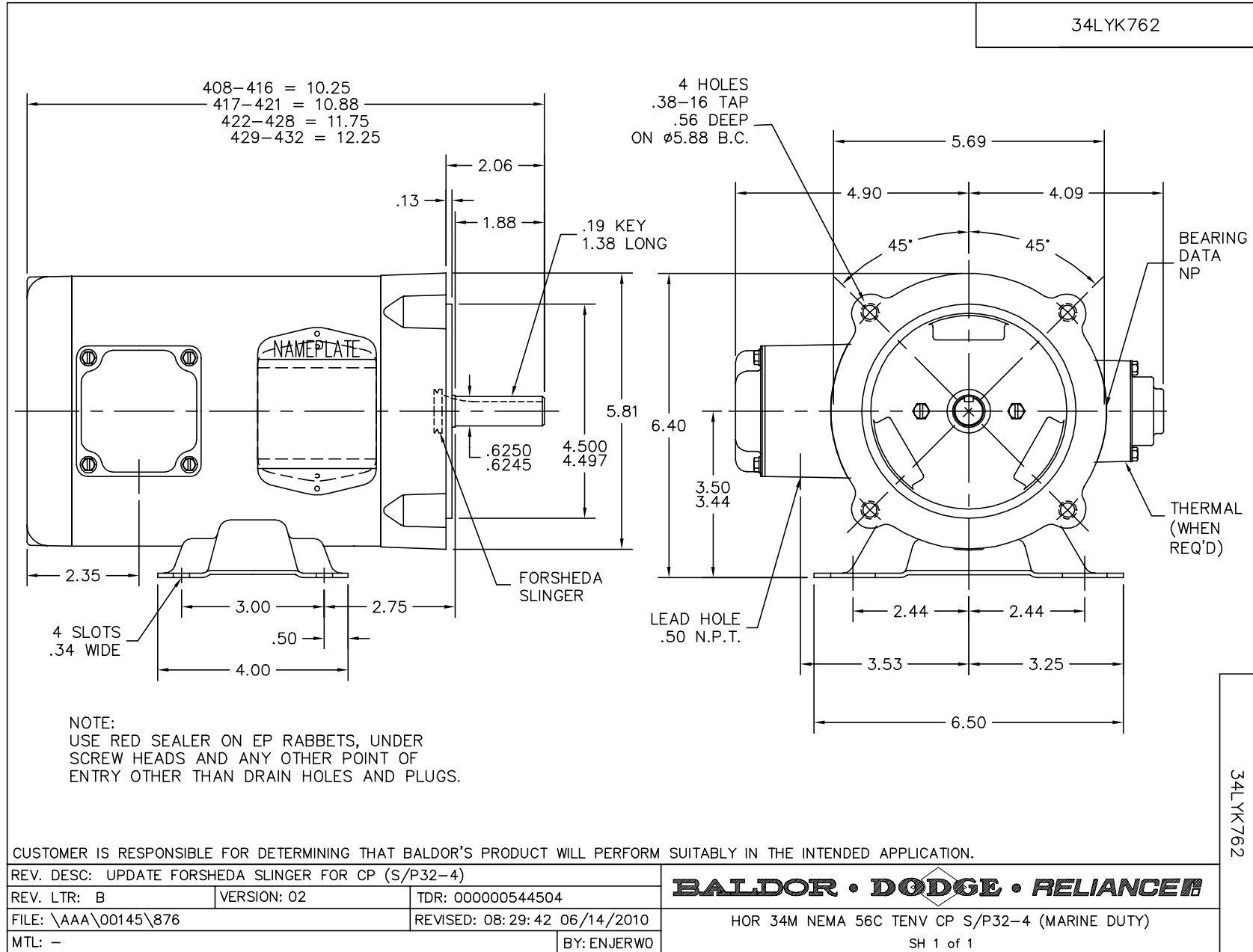
Performance Graph at 460V, 60Hz, 0.5HP Typical performance - Not guaranteed values



Dealers Industrial Equipment -- Visit <https://DealersElectric.com> or call (908) 688-1966 for all of your electric motor & VFD needs!



Dealers Industrial Equipment -- Visit <https://DealersElectric.com> or call (908) 688-1966 for all of your electric motor & VFD needs!



Dealers Industrial Equipment -- Visit <https://DealersElectric.com> or call (908) 688-1966 for all of your electric motor & VFD needs!

