



BALDOR® • RELIANCE

Product Information Packet

M2583T

100HP, 1185RPM, 3PH, 60HZ, 444T, 1852M, OPEN

Copyright © All product information within this document is subject to Baldor Electric Company copyright © protection, unless otherwise noted.

Part Detail							
Revision:	Q	Status:	INA/A	Change #:		Proprietary:	No
Type:	AC	Prod. Type:	1852M	Elec. Spec:	18WGX017	CD Diagram:	CD0180
Enclosure:	OPEN	Mfg Plant:		Mech. Spec:	18D01	Layout:	18LYD001
Frame:	444T	Mounting:	F1	Poles:	06	Created Date:	04-29-2008
Base:	RG	Rotation:	R	Insulation:	B	Eff. Date:	04-01-2010
Leads:	9#4					Replaced By:	
Literature:		Elec. Diagram:					

Accessories		
Part Number	Description	Multiplier
18-1202	C FACE KIT	A8
18EP1600A01SP	D-FLANGE KIT (FOR 88 MAX STACK ONLY)	A8

AC Induction Motor Performance Data
Record # 5808 - Typical performance - not guaranteed values

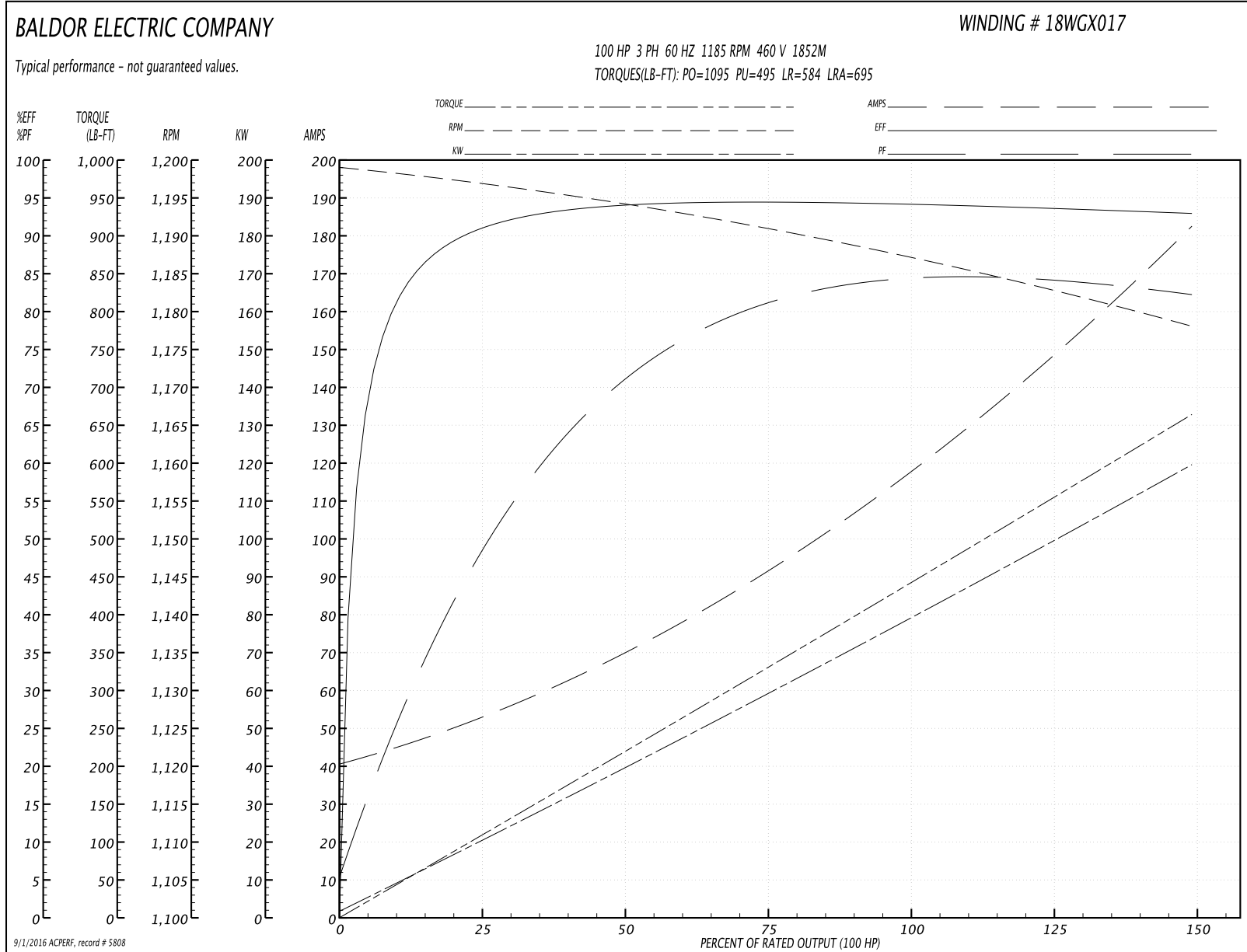
Winding: 18WGX017-R001	Type: 1852M	Enclosure: OPEN
-------------------------------	--------------------	------------------------

Nameplate Data				460 V, 60 Hz: High Voltage Connection	
Rated Output (HP)	100			Full Load Torque	443 LB-FT
Volts	230/460			Start Configuration	direct on line
Full Load Amps	238/119			Breakdown Torque	1095 LB-FT
R.P.M.	1185			Pull-up Torque	495 LB-FT
Hz	60	Phase	3	Locked-rotor Torque	584 LB-FT
NEMA Design Code	B	KVA Code	G	Starting Current	695 A
Service Factor (S.F.)	1.15			No-load Current	42.3 A
NEMA Nom. Eff.	94.1	Power Factor	83	Line-line Res. @ 25°C	0.0719 Ω
Rating - Duty	40C AMB-CONT			Temp. Rise @ Rated Load	33°C
S.F. Amps				Temp. Rise @ S.F. Load	43°C
				Rotor inertia	34.7 LB-FT ²

Load Characteristics 460 V, 60 Hz, 100 HP

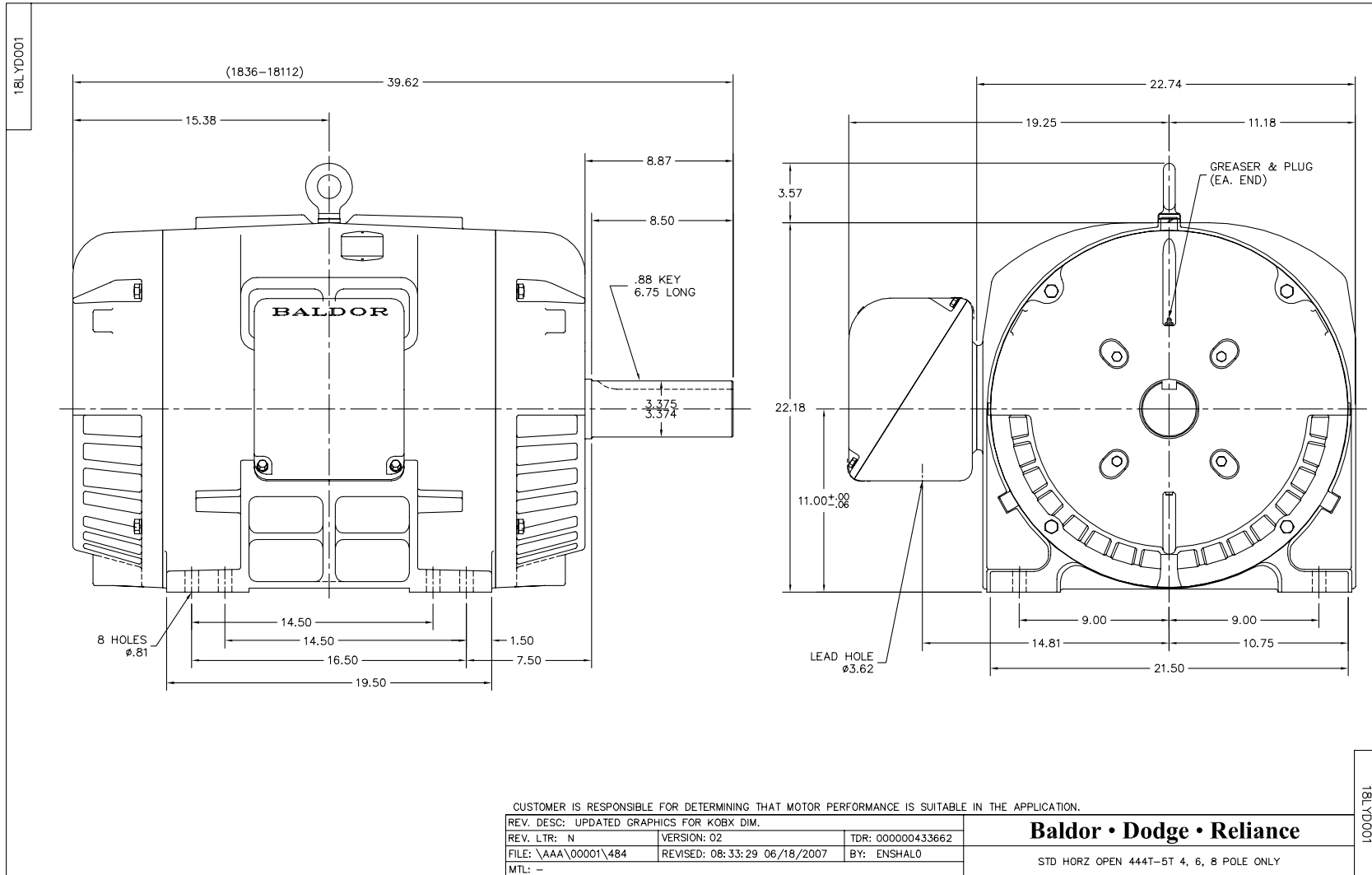
% of Rated Load	25	50	75	100	125	150	S.F.
Power Factor	51	72	80	83	84	83	84
Efficiency	90.9	94	94.4	94.2	93.7	92.9	93.9
Speed	1197	1194	1191	1187	1183	1178	1185
Line amperes	50.8	69.2	92.7	119.2	148.9	181.5	137

Performance Graph at 460V, 60Hz, 100.0HP Typical performance - Not guaranteed values



Dealers Industrial Equipment -- Visit <https://DealersElectric.com> or call (908) 688-1966 for all of your electric motor & VFD needs!

Dealers Industrial Equipment -- Visit <https://DealersElectric.com> or call (908) 688-1966 for all of your electric motor & VFD needs!



Dealers Industrial Equipment -- Visit <https://DealersElectric.com> or call (908) 688-1966 for all of your electric motor & VFD needs!

