



BALDOR® • RELIANCE

Product Information Packet

IDM4403T

60HP, 1185RPM, 3PH, 60HZ, 404T, 1662M, TEBC, F1

Part Detail							
Revision:	R	Status:	INA/A	Change #:		Proprietary:	No
Type:	AC	Prod. Type:	1662M	Elec. Spec:	16WGW651	CD Diagram:	CD0180
Enclosure:	TEBC	Mfg Plant:		Mech. Spec:	16M058	Layout:	16LYM058
Frame:	404T	Mounting:	F1	Poles:	06	Created Date:	
Base:	RG	Rotation:	R	Insulation:	H	Eff. Date:	04-01-2015
Leads:	9#6					Replaced By:	NO REPLACEMENT
Literature:		Elec. Diagram:					

Dealers Industrial Equipment -- Visit <https://DealersElectric.com> or call (908) 688-1966 for all of your electric motor & VFD needs!

Nameplate NP1163L	
CAT NO	IDM4403T
SPEC.	16M058W651G1
FRAME	404T HP 60 TE
VOLTS	230/460
MAG CUR	60/30 FLA 144/72
RPM	1185 RPM MAX 2800
HZ	60 PH 3 CLASS H
SER.F.	1.00 DES B SL HZ 0.65
NEMA-NOM-EFF	94.5 WK2 30.1
BLWR V	PH HZ A
RATING	40C AMB-CONT
DE BRG	6316 ODE BRG 6313
CC	SN

Dealers Industrial Equipment -- Visit <https://DealersElectric.com> or call (908) 688-1966 for all of your electric motor & VFD needs!

Parts List		
Part Number	Description	Quantity
SA108803	SA 16M058W651G1	1.000 EA
RA100324	RA 16M058W651G1	1.000 EA
18CB1006A10	KOBX W/3.62 LEAD HL, .44 MTG HLS & 3.88	1.000 EA
18GS1000	GASKET, CONDUIT BOX	1.000 EA
10XN3816K16	3/8-16 X 1 HEX HD CAP GRADE 5	4.000 EA
HW1001A38	LOCKWASHER 3/8, ZINC PLT .688 OD, .382 I	4.000 EA
WD1000B25	BURNDY TERMINAL L125HP	1.000 EA
10XN3118K08	5/16-18 X .50 GRADE #5, STL, ZINC PLATE	1.000 EA
HW1001A31	LOCKWASHER 5/16, ZINC PLT.591 OD, .319 I	1.000 EA
16EP1102A41	FR E.P. W/THRU SHAFT ENCODER DESIGN	1.000 EA
HA4051A00	PLASTIC CAP FOR GREASE FITTING	1.000 EA
10XN6311K44	5/8-11 X 2 3/4 HEX HD	6.000 EA
HW1001A63	WASHER, 5/8 SPLIT LK, ZN	6.000 EA
HA1005A26	SLINGER, OD 3.00, ID 1.75, 309 BRG	1.000 EA
10XN2520K12	1/4-20 X.75 GRD 5	1.000 EA
HW1001A25	LOCKWASHER 1/4, ZINC PLT .493 OD, .255 I	1.000 EA
HW5100A16	WAVY WASHER W5408-053	1.000 EA
10XN3816K44	3/8-16 X 2.75 HEX HD CAP SCREW, GRADE 5	2.000 EA
HW1001A38	LOCKWASHER 3/8, ZINC PLT .688 OD, .382 I	2.000 EA
10XN3118K52	5/16-18 X 3-1/4 HEX HEAD CAP SCR,GR.5,Z/	4.000 EA
HW1001A31	LOCKWASHER 5/16, ZINC PLT.591 OD, .319 I	4.000 EA
16EP1703A01	PU ENDPLATE, MACH 404-5T	1.000 EA
HA4051A00	PLASTIC CAP FOR GREASE FITTING	1.000 EA
10XN6311K44	5/8-11 X 2 3/4 HEX HD	6.000 EA

Dealers Industrial Equipment -- Visit <https://DealersElectric.com> or call (908) 688-1966 for all of your electric motor & VFD needs!

Parts List (continued)		
Part Number	Description	Quantity
HW1001A63	WASHER, 5/8 SPLIT LK, ZN	6.000 EA
HA1005A09	316-48 SLINGER,NEOPRENE 3/8"THK,4"O.D.	1.000 EA
10XN3118K12	5/16-18 X .75 GRADE 5, ZINC PLATED	6.000 EA
HW1001A31	LOCKWASHER 5/16, ZINC PLT.591 OD, .319 I	6.000 EA
16FH4004	316 VECTOR DRIVE FAN HOUSING DUAL MTG (F	1.000 EA
10XN3816K16	3/8-16 X 1 HEX HD CAP GRADE 5	3.000 EA
HW1001A38	LOCKWASHER 3/8, ZINC PLT .688 OD, .382 I	3.000 EA
33CB3002	CONDUIT BOX, CAST	1.000 EA
34CB4500SP	CONDUIT BOX LID, STAMPED	1.000 EA
34GS1001	GASKET, STD CONDUIT BOX LID (LEXIDE)	1.000 EA
51XW0832A07	8-32 X .44, TAPTITE II, HEX WSHR SLTD SE	4.000 EA
RM1022A02	GROMMET .875 ID 1.00 OD .12 WALL,VENDOR#	1.000 EA
51XN0832A12	8-32 HEX SLOT WSHR HD MACH SC GRADE 2, Z	2.000 EA
HW1001A08	WASHER, #8 SPLT LK, ZN	4.000 EA
XY0832A02	8-32 HEX NUT	2.000 EA
WD4101A09	STIMPSON D3560, .875 DIA. HOLE PLUG	1.000 EA
WD4102A08	#1327 HEYCO STRAIN RELIEF(SR-11-2)	1.000 EA
18CB1506A01	CB LID 318 FOR 18CB1006	1.000 EA
18GS1013	18 GS FOR 18CB1506 LID - LEXIDE	1.000 EA
10XN3118K16	5/16-18 X 1' GRADE #5, STL, ZINC PLATE	4.000 EA
HW1001A31	LOCKWASHER 5/16, ZINC PLT.591 OD, .319 I	4.000 EA
HW2501K66	KEY, 3/4 SQ X 5.625	1.000 EA
LB1115N	LABEL,LIFTING DEVICE (ON ROLLS)	1.000 EA
LB1009N	LABEL,ROTATION DIRECTION (ON ROLLS)	1.000 EA

Product Information Packet: IDM4403T - 60HP,1185RPM,3PH,60HZ,404T,1662M,TEBC,F1

HW4500A21	1618BALEMITE FITTING 825 UNIVERSAL	1.000 EA
HA4017A05	.125 X 6.00 GR EXT (F/S)	1.000 EA
HW4500A17	317400 ALEMITE GREASE RELIEF	1.000 EA
HA4001A01SP	DRAIN PLUG, PLASTIC (MICRO PLAS)	1.000 EA
MJ1000A02	GREASE, POLYREX EM EXXON (USe 4824-15A)	0.400 LB
HW4500A03	GREASE FITTING, .125 NPT 1610(ALEMITE) 8	1.000 EA
HW4500A17	317400 ALEMITE GREASE RELIEF	1.000 EA
HA4001A01SP	DRAIN PLUG, PLASTIC (MICRO PLAS)	1.000 EA
WD4101A08	STIMPSON #D3557,1.188 DIA. HOLE PLUG	2.000 EA
MG1000G27	MED CHARCOAL METALLIC GREY 400-0096	0.150 GA
85XU0407A04	#4-7 X 1/4 DRIVE PIN	2.000 EA
MN416A01	TAG-INSTAL-MAINT no wire (1200/bx) 11/14	1.000 EA
EF5001SP	VENTURI/GRILLE KIT FOR 316/318 TEBC MOTO	1.000 EA
LB1119N	WARNING LABEL	1.000 EA
LB1172A01	CUSTOM MTR CARTON LABEL LASER PRINTER	2.000 EA
LC0181	CONNECTION LABEL	1.000 EA
NP1163L	ALUM INV UL CSA CC	1.000 EA
18PA2030	PKGP WOOD BASE 318 54 X 34-3/4	1.000 EA

AC Induction Motor Performance Data

Record # 20772 - Typical performance - not guaranteed values

Winding: 16WGW651-R002	Type: 1662M	Enclosure: TEFC
-------------------------------	--------------------	------------------------

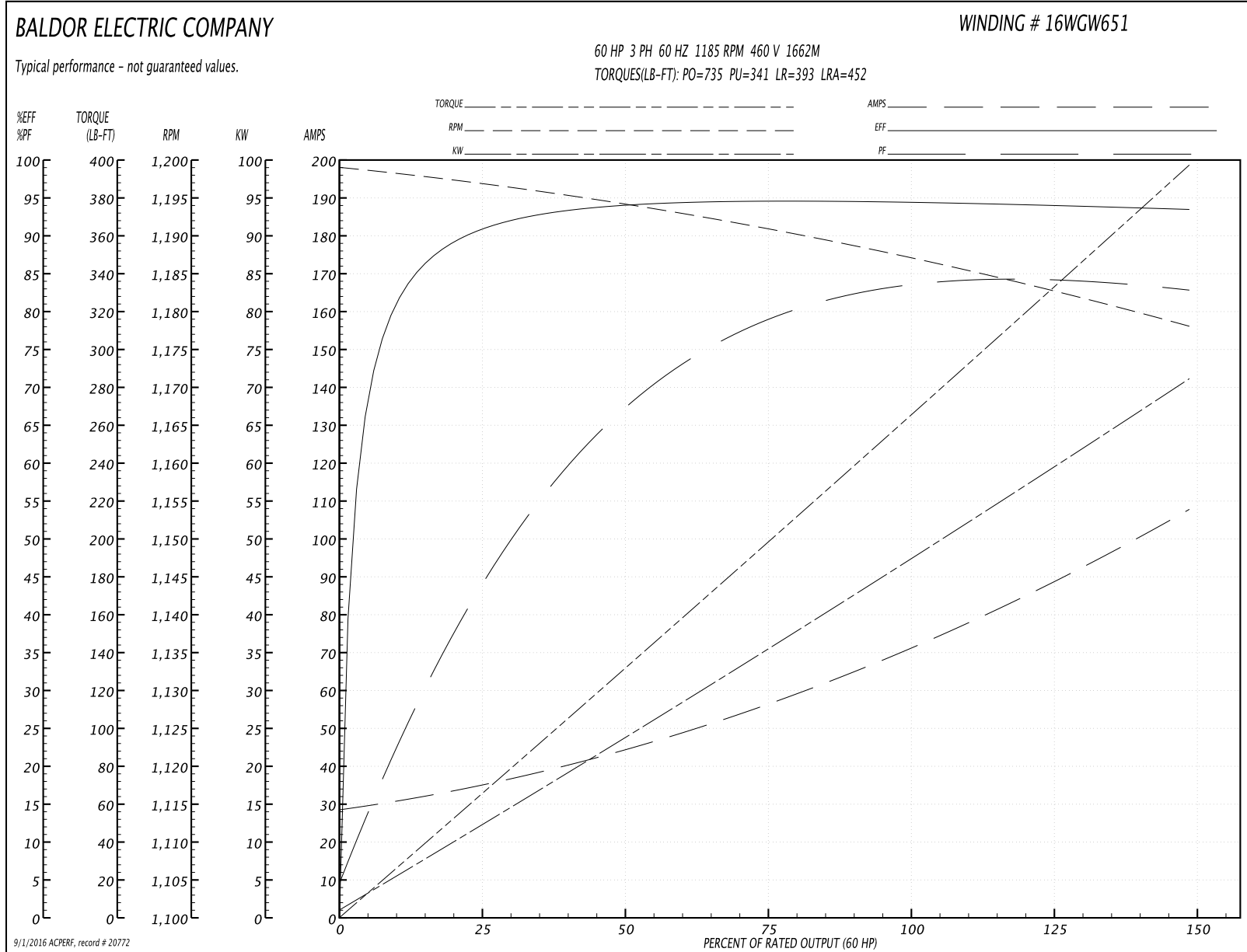
Nameplate Data				460 V, 60 Hz: High Voltage Connection	
Rated Output (HP)	60			Full Load Torque	265 LB-FT
Volts	230/460			Start Configuration	direct on line
Full Load Amps	144/72			Breakdown Torque	735 LB-FT
R.P.M.	1185			Pull-up Torque	341 LB-FT
Hz	60	Phase	3	Locked-rotor Torque	393 LB-FT
NEMA Design Code	B	KVA Code	G	Starting Current	452 A
Service Factor (S.F.)	1			No-load Current	30 A
NEMA Nom. Eff.	94.5	Power Factor	82	Line-line Res. @ 25°C	0.1041 Ω
Rating - Duty	40C AMB-CONT			Temp. Rise @ Rated Load	51°C
				Rotor inertia	30.1 LB-FT ²

Load Characteristics 460 V, 60 Hz, 60 HP

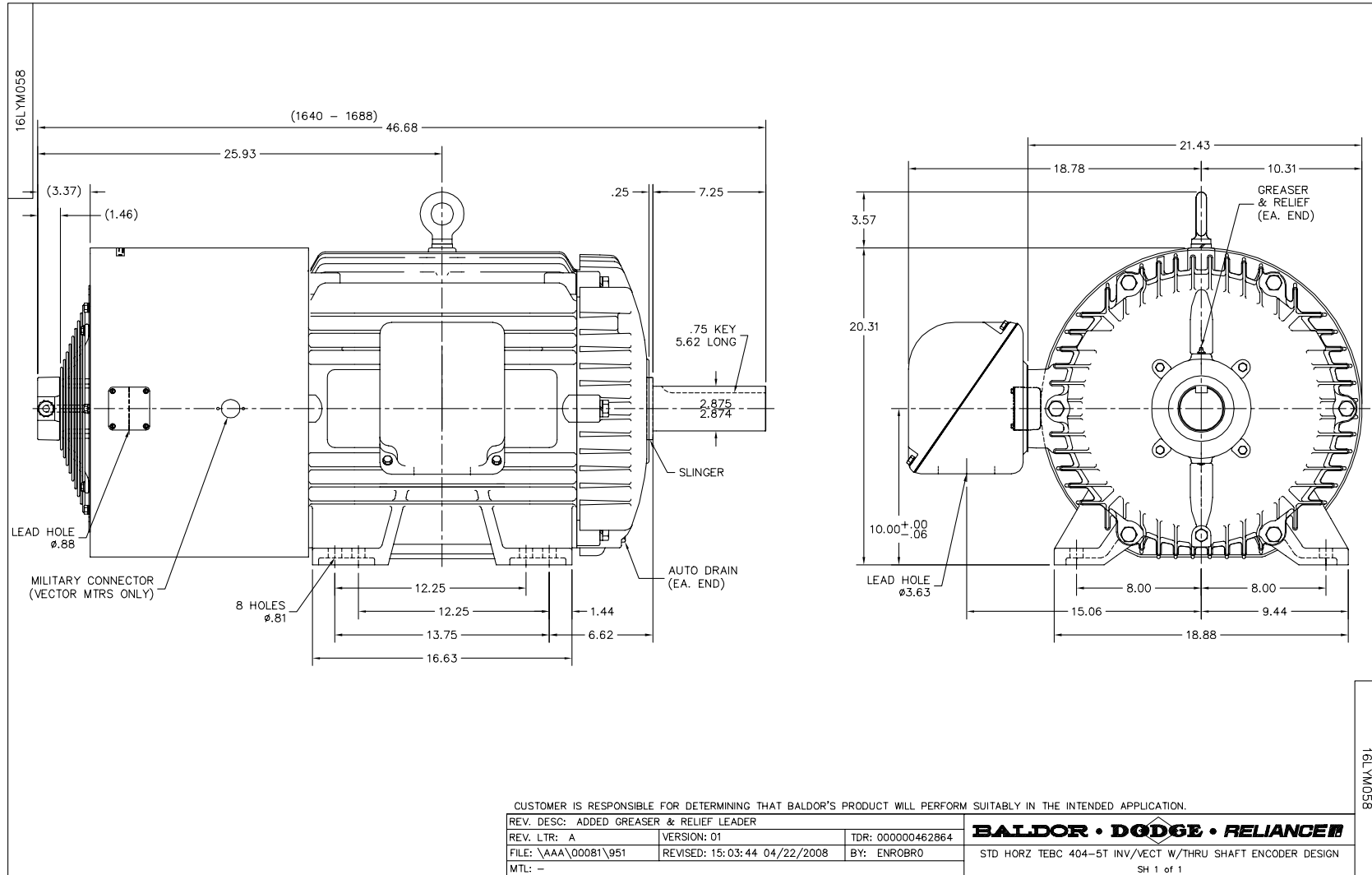
% of Rated Load	25	50	75	100	125	150	S.F.
Power Factor	47	69	78	82	84	84	83
Efficiency	90.2	93.8	94.7	94.5	94.1	93.4	94.3
Speed	1197	1194	1191	1187	1183	1178	1185
Line amperes	33.1	43.6	57	72.3	88.8	106.9	82.2

Dealers Industrial Equipment -- Visit <https://DealersElectric.com> or call (908) 688-1966 for all of your electric motor & VFD needs!

Performance Graph at 460V, 60Hz, 60.0HP Typical performance - Not guaranteed values



Dealers Industrial Equipment -- Visit <https://DealersElectric.com> or call (908) 688-1966 for all of your electric motor & VFD needs!



Dealers Industrial Equipment -- Visit <https://DealersElectric.com> or call (908) 688-1966 for all of your electric motor & VFD needs!

Dealers Industrial Equipment -- Visit <https://DealersElectric.com> or call (908) 688-1966 for all of your electric motor & VFD needs!

