



# **BALDOR® • RELIANCE**

## **Product Information Packet**

### **H3M9104T**

**.75HP,3450RPM,3PH,60HZ,56,3416M,TEFC,F1**

Part Detail							
Revision:	F	Status:	INA/A	Change #:		Proprietary:	No
Type:	AC	Prod. Type:	3416M	Elec. Spec:	34WGW719	CD Diagram:	CD0005
Enclosure:	TEFC	Mfg Plant:		Mech. Spec:	34J282	Layout:	34LYJ282
Frame:	56	Mounting:	F3	Poles:	02	Created Date:	
Base:	RG	Rotation:	R	Insulation:	B	Eff. Date:	12-17-2007
Leads:	9#18					Replaced By:	34K985W719
Literature:		Elec. Diagram:					

<b>Nameplate NP1889A01</b>	
CAT.NO.	
SPEC.	34J282W719
HP	.75
VOLTS	230/460
AMPS	2.4/1.2
RPM	3450
FRAME	56
	HZ 60
SER.F.	1.25
	CODE K
	DES B
	CL B
	PH 3
NEMA-NOM-EFF	75.5
	PF 80
RATING	40C AMB-CONT
CC	
	USABLE AT 200V 2.7
DE	6203
	ODE 6203
AUTO	N
	MANUAL N
	NONE Y
ENCL	TEFC
	SN
BLANK	SFA 2.8/1.4

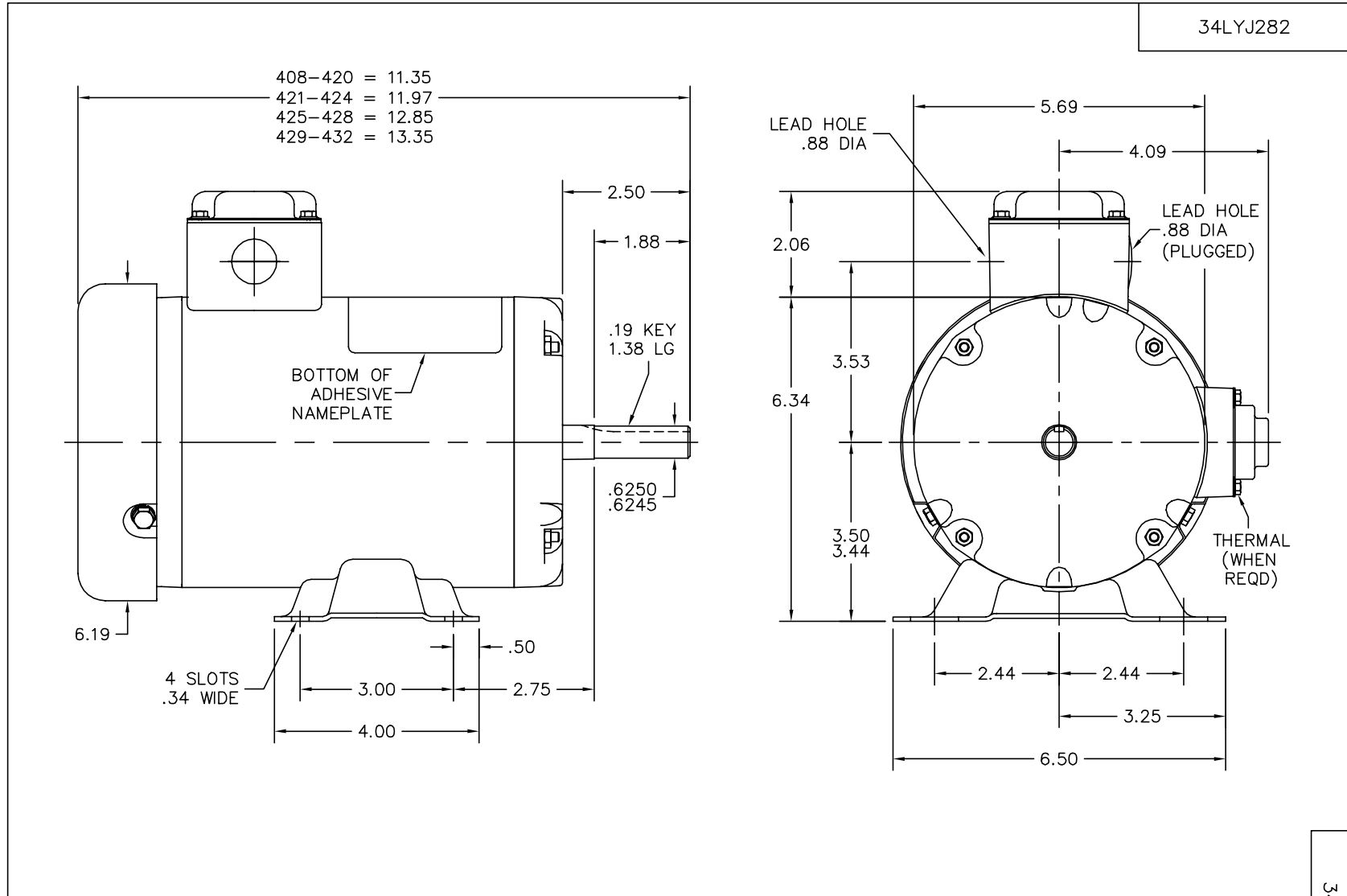
Dealers Industrial Equipment -- Visit <https://DealersElectric.com> or call (908) 688-1966 for all of your electric motor & VFD needs!

Parts List		
Part Number	Description	Quantity
SA083024	SA 34J282W719	1.000 EA
RA076281	RA 34J282W719	1.000 EA
NS2512A01	INSULATOR, CONDUIT BOX X	1.000 EA
WD4100A01	DP-875 HEYCO PLUG OR 62MP0875 MICRO PLAS	1.000 EA
34CB3002A05	CB W/.88 DIA @ 12 & .88 DIA @ 6	1.000 EA
34GS1029A01	GASKET, CONDUIT BOX	1.000 EA
51XB1016A07	10-16 X 7/16 HXWSSLD SERTYB	2.000 EA
11XW1032G06	10-32 X .38, TAPTITE II, HEX WSHR SLTD U	1.000 EA
34EP3102A01SP	FR ENDPLATE, MACH	1.000 EA
HW5100A03	WAVY WASHER (W1543-017)	1.000 EA
34EP3102A02SP	FR/PU ENDPLATE, MACH	1.000 EA
XY1032A02	10-32 HEX NUT DIRECTIONAL SERRATION	4.000 EA
34FN3002A01SP	EXTERNAL FAN, PLASTIC, .637/.639 HUB W/	1.000 EA
34FH4002A01	IEC FH NO GREASER PRIMED	1.000 EA
51XW1032A06	10-32 X .38, TAPTITE II, HEX WSHR SLTD S	3.000 EA
34CB4517	CB LID 4 MTG HOLES .22 DIA STAMPED, FOR	1.000 EA
34GS1031A01	GASKET, FLAT CONDUIT BOX LID (LEXIDE)	1.000 EA
51XW0832A07	8-32 X .44, TAPTITE II, HEX WSHR SLTD SE	4.000 EA
HW2501D13	KEY, 3/16 SQ X 1.375	1.000 EA
HA7000A04	KEY RETAINER 0.625 DIA SHAFTS	1.000 EA
MG1000G55	PAINT,WILKO 682.62 LACQUER LIGHT GRAY	0.014 GA
HA3100A12	THRUBOLT 10-32 X 7.375	4.000 EA
MN416A01	TAG-INSTAL-MAINT no wire (1200/bx) 11/14	1.000 EA
LB1119N	WARNING LABEL	1.000 EA

<b>Parts List (continued)</b>		
<b>Part Number</b>	<b>Description</b>	<b>Quantity</b>
LB1125C01	STD (STOCK) CARTON LABEL BALDOR WITH FLA	1.000 EA
NP1889A01	NP LABEL W/CD0005 (FOR HVAC MOTOR)	1.000 EA
35PA1000	PKG GRP, PRINT PK1008A06	1.000 EA
LB1417	LABEL CARTON 6X4 PERFORATED BLANK ROLLS	1.000 EA

No performance data has been assigned to this product.

Dealers Industrial Equipment -- Visit <https://DealersElectric.com> or call (908) 688-1966 for all of your electric motor & VFD needs!



34LYJ282

CUSTOMER IS RESPONSIBLE FOR DETERMINING THAT MOTOR PERFORMANCE IS SUITABLE IN THE APPLICATION.

REV. DESC: NEW			
REV. LTR: -	BY: JD	REVISED: 07: 58: 49 11/02/2001	TDR: 253872
34LYJ282		FILE: AAA00089980	REF: 34LYJ282
		MTL: -	

**BALDOR ELECTRIC Co.**

HORZ 34M NEMA 56 TEFC HVAC W/KO & NAMEPLATE AT 12 O'CLOCK

34LYJ282

Dealers Industrial Equipment -- Visit <https://DealersElectric.com> or call (908) 688-1966 for all of your electric motor & VFD needs!

