



BALDOR® • RELIANCE

Product Information Packet

ECTM4312T

50HP, 1185RPM, 3PH, 60HZ, 364T, 1474M, TEAO, F1

Part Detail							
Revision:	E	Status:	INA/A	Change #:		Proprietary:	No
Type:	AC	Prod. Type:	A36062M	Elec. Spec:	A36WG0757	CD Diagram:	416820-002
Enclosure:	TEAO	Mfg Plant:		Mech. Spec:		Layout:	611741-694
Frame:	365T	Mounting:	F1	Poles:	06	Created Date:	10-19-2010
Base:		Rotation:	R	Insulation:	F	Eff. Date:	09-30-2015
Leads:	3#4,6#6					Replaced By:	
Literature:		Elec. Diagram:					

Dealers Industrial Equipment -- Visit <https://DealersElectric.com> or call (908) 688-1966 for all of your electric motor & VFD needs!

Nameplate 000613007EW										
CAT.NO.				SPEC NO.	P36G3412					
HP	50	AMPS	123/61.7	VOLTS	230/460		DESIGN	B		
FRAME	365T	RPM	1185	HZ	60	AMB	40	SF	1.15	
DRIVE END BEARING	65BC03JGG30A			PH	3	DUTY	CONT		INSUL.CLASS	F
OPP D.E. BEARING	65BC03JGG30A			TYPE	P	ENCL	TEAO		CODE	F
D.E.BRG.DATA	6313			POWER FACTOR	81		NEMA NOM EFFICIENCY	94.1		
O.D.E.BRG.DATA	6313			MAX CORR KVAR	14.0		GUARANTEED EFFICIENCY	93.6		
3/4 LOAD EFF.	94.4			NEMA NOM/CSA QUOTED EFF						
SER.NO.				MOTOR WEIGHT	840					

Dealers Industrial Equipment -- Visit <https://DealersElectric.com> or call (908) 688-1966 for all of your electric motor & VFD needs!

Nameplate 000901002AAA
SUIT FOR 208 V @ 133 AMPS 500 MIN FPM @ RATED HP AND SF

Dealers Industrial Equipment -- Visit <https://DealersElectric.com> or call (908) 688-1966 for all of your electric motor & VFD needs!

Parts List		
Part Number	Description	Quantity
SA206470	SA P36G3412	1.000 EA
RA193737	RA P36G3412	1.000 EA
000613007EW	N/P BALDOR	1.000 EA
000692000VD	LABEL WARNING	1.000 EA
000901002AAA	N/P BLANK	1.000 EA
421948032	LABEL, MYLAR	1.000 EA
004824015A	GREASE POLYREX EM	0.544 LB
032018012DK	HHCS 1/2-13X1-1/2 PLTD.	2.000 EA
032018024CK	HHCS 3/8-16X3 PLTD.	3.000 EA
032018024CK	HHCS 3/8-16X3 PLTD.	3.000 EA
034530032AB	P/NIP 1/8X4 PLATED	1.000 EA
034690002AB	"unbulked" PPLG 1/4" PLTD.	1.000 EA
085922073A	BRKT 360 085922072WCC KB	1.000 EA
410700004F	WSHR	1.000 EA
415034014J	SPSCR	2.000 EA
415096002A	CPLG 1/8 HEX TYPE	1.000 EA
418151057A	PLASTIC DRAIN,ODE BRKT	1.000 EA
032018012DK	HHCS 1/2-13X1-1/2 PLTD.	4.000 EA
034530020AB	P/NIP 1/8X2-1/2 PLTED	1.000 EA
034690002AB	"unbulked" PPLG 1/4" PLTD.	1.000 EA
085922083BG	BRKT 360 085922072WCC	1.000 EA
415028001AH	SEAL 360/400	1.000 EA
415045002E	SLGR	1.000 EA
415096002A	CPLG 1/8 HEX TYPE	1.000 EA

Dealers Industrial Equipment -- Visit <https://DealersElectric.com> or call (908) 688-1966 for all of your electric motor & VFD needs!

Parts List (continued)		
Part Number	Description	Quantity
418151057A	PLASTIC DRAIN,ODE BRKT	1.000 EA
423709011C	WASHER	3.000 EA
032018010CK	HHCS 3/8-16X1-1/4 PLTD.	4.000 EA
033512004LB	HHTTS 1/4-20X1/2 PLTD.	1.000 EA
033512008LB	HHTTS 1/4-20X1 PLATED	4.000 EA
034000014AE	WSHR 3/8" COPPER	4.000 EA
034600035AB	BUSH 3 TO 2-1/2 PLTD-360	1.000 EA
034690001AB	SQHDPLG, COND	1.000 EA
035000001A	ALFTG 1/8" 1610-BL	1.000 EA
035000001A	ALFTG 1/8" 1610-BL	1.000 EA
048897010DG	PLUG,ODE BRKT - 360	1.000 EA
065776000C	TERBD 320-400	1.000 EA
067053000B	GASK 320-400	1.000 EA
076708114	C/B - 360 WITH .125 HOLE ON RIGHT SIDE	1.000 EA
076709000A	C/B - 360	1.000 EA
415000103D	T/LUG #4AWG-1/0AWG W/HOLE FOR .250 BOLT	1.000 EA
418150003A	GREASE FITTING CAP	1.000 EA
MG1025G05	WILKOFAS, 789.227, MED. GRAY CHAR. MET.	0.250 GA
033775004EA	DRSCR #6-1/4 304 S.S.	4.000 EA
418150003A	GREASE FITTING CAP	1.000 EA
034180034HA	KEY 5/8X5/8X4-1/4 L	1.000 EA
MG1500G03-5	PRIMER- S4318E GEMINI , HC9068	0.063 GA
L482401016	SPRAY AC-29-7S	0.025 GA
14PA1000	PACKAGING 314 GROUP COMBINED PRINT	1.000 EA

Dealers Industrial Equipment -- Visit <https://DealersElectric.com> or call (908) 688-1966 for all of your electric motor & VFD needs!

REL. S.O.	FRAME	HP	TYPE	PHASE/HERTZ	RPM	VOLTS
	365T	50	P	3/60	1185	230/460
AMPS	DUTY	AMB °C/ INSUL.	S.F.	NEMA DESIGN	CODE LETTER	ENCL.
123/61.7	CONT	40/F	1.15	B	F	TENV
E/S	ROTOR	TEST S.O.	TEST DATE	STATOR RES. @25 °C (BETWEEN LINES)		
892104	418141-710E	---	---	.0325/.130		

PERFORMANCE

LOAD	HP	AMPERES	RPM	POWER FACTOR %	EFFICIENCY %
NO LOAD	0	21.3	1200	5.08	0
1/4	12.5	26.2	1197	49.4	90.8
2/4	25.0	35.6	1193	70.0	93.9
3/4	37.5	47.8	1190	77.8	94.4
4/4	50.0	61.7	1186	80.6	94.2
5/4	62.5	76.7	1182	81.5	93.6

SPEED TORQUE

	RPM	TORQUE % FULL LOAD	TORQUE LB.-FT.	AMPERES
LOCKED ROTOR	0	154	340	345
PULL UP	650	133	295	305
BREAKDOWN	1133	230	510	191
FULL LOAD	1186	100	221	61.7

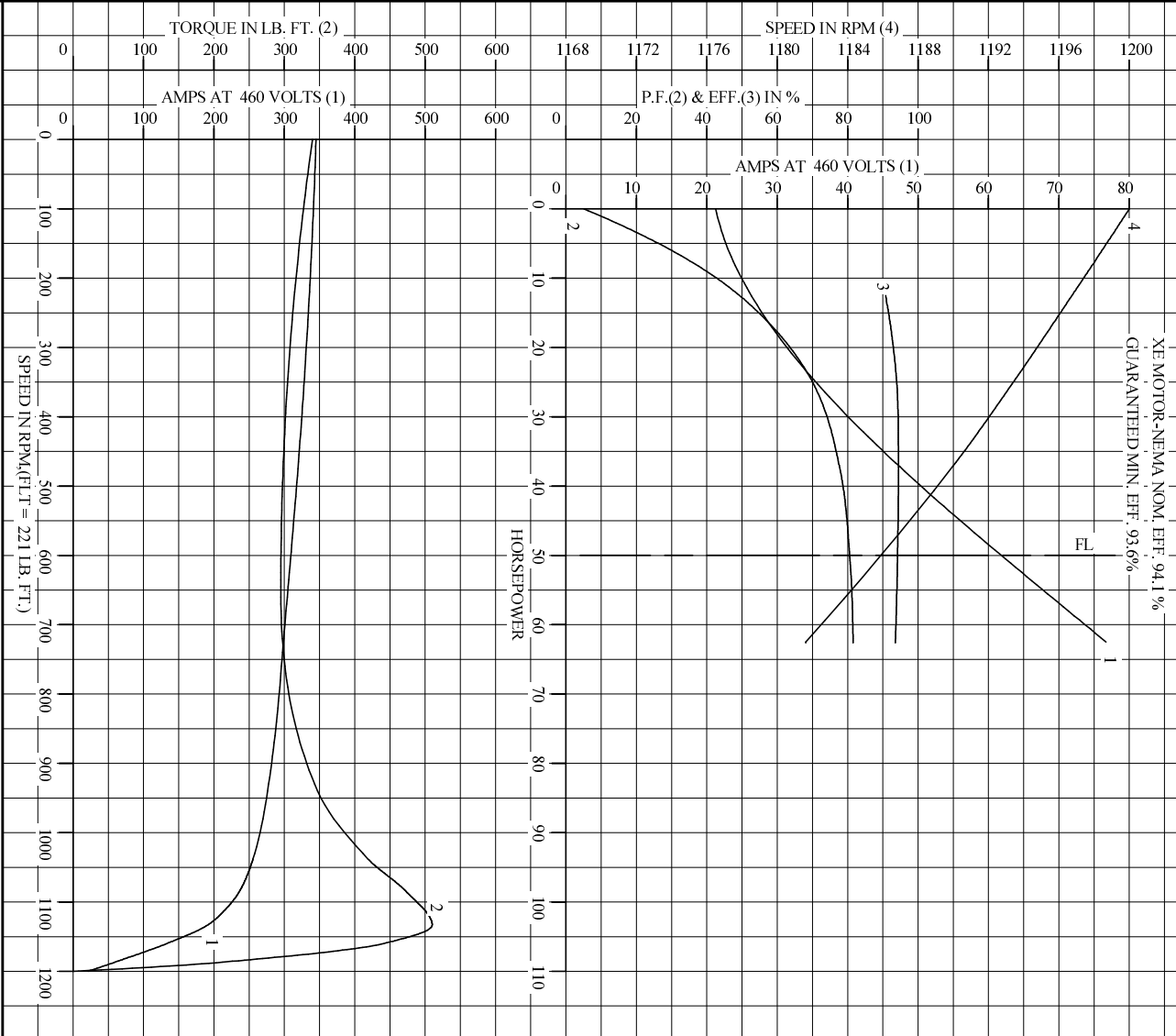
AMPERES SHOWN FOR 460. VOLT CONNECTION. IF OTHER VOLTAGE CONNECTIONS ARE AVAILABLE, THE AMPERES WILL VARY INVERSELY WITH THE RATED VOLTAGE

REMARKS: TYPICAL DATA
XE MOTOR-NEMA NOM. EFF. 94.1 %
GUARANTEED MIN. EFF. 93.6 %

BALDOR	DR. BY	W. L. SMITH	A-C MOTOR
	CK. BY	J. J. HARRISON	
	APP. BY	W. L. SMITH	PERFORMANCE DATA
	DATE	12/07/05	ISSUE DATE 12/15/10

Printed on 12/15/10 9:26 @ psecs-motorer

REL. S.O. _____ RPM 1185 S.F. 1.15 ROTOR 418141-71JTE
 FRAME 365T VOLTS 230/460 NEMA DESIGN B TEST S.O. TYPICAL DATA
 HP 50 AMPS 123/61.7 CODE LETTER F TEST DATE ---
 TYPE P DUTY CONT ENCLOSURE TENV STATOR RES. @ 25 °C .0325/.130
 PHASE/HERTZ 3/60 AMB °C/INSUL 40/F E/S 892104 OHMS (BETWEEN LINES)



AMPERES SHOWN FOR 460 VOLT CONNECTION, IF OTHER VOLTAGE CONNECTIONS ARE AVAILABLE, THE AMPERES WILL VARY INVERSELY WITH THE RATED VOLTAGE.

BALDOR

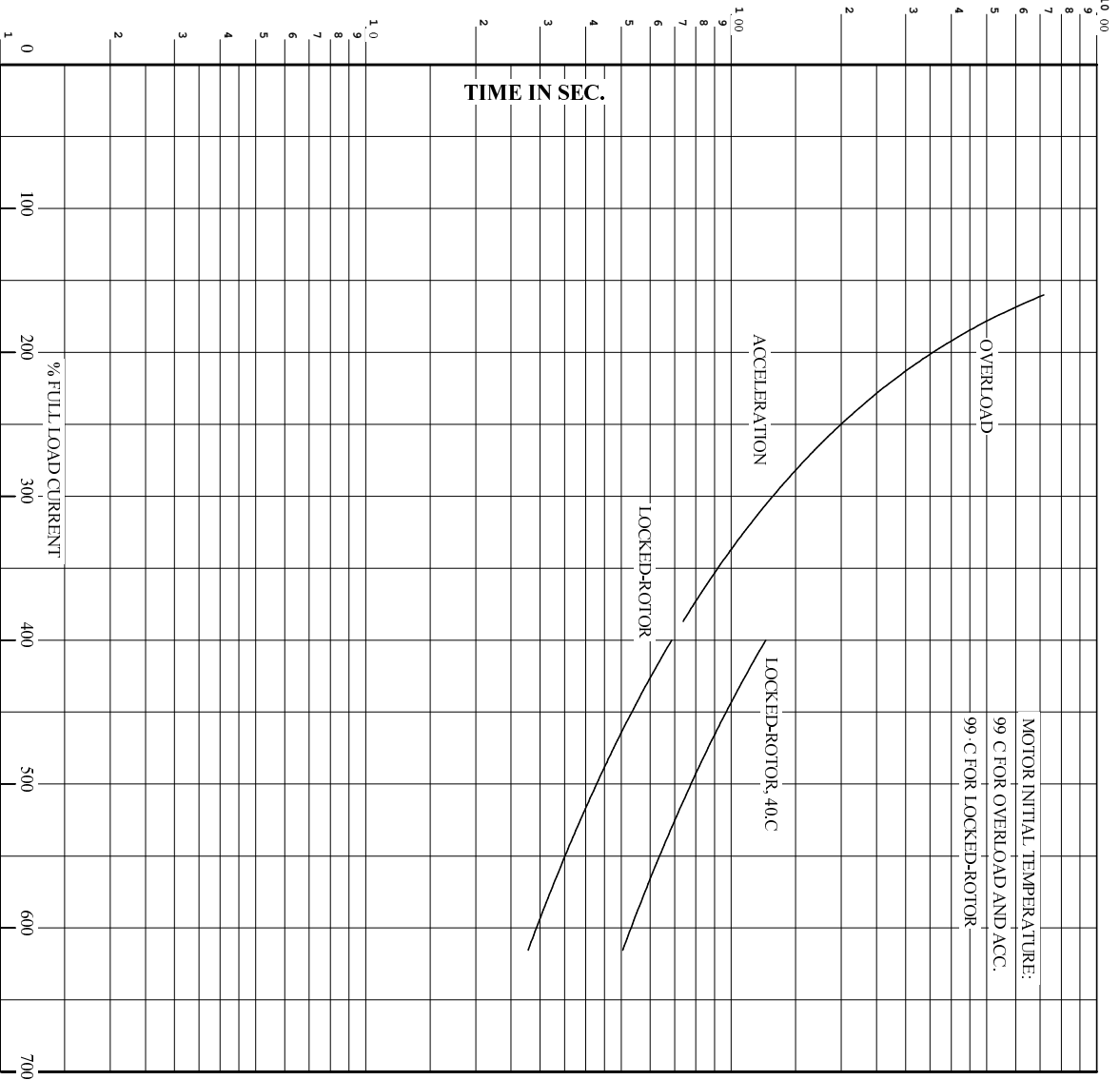
DR. BY W.L. SMITH
 CK. BY J.H. HARRISON
 APP. BY W.L. SMITH
 DATE 12/07/05

A-C MOTOR PERFORMANCE CURVES A36WG0757-R001
 ISSUE DATE 12/15/10

Printed on 12/15/10 9:26 @ psecs-motoreng

Dealers Industrial Equipment -- Visit <https://DealersElectric.com> or call (908) 688-1966 for all of your electric motor & VFD needs!

RET. S.O. RPM 1185 S.F. 1.15 ROTOR 418141-711E
 FRAME 365T VOLTS 230/460 NEMA DESIGN B TEST S.O. TYPICAL DATA
 HP 50 AMPS 123/61.7 CODE LETTER F TEST DATE ---
 TYPE P DUTY CONT ENCL. TYPE TENV STATOR RES. @ 25 C. 0.325/.130
 PHASE/HERTZ 3/60 AMB C/INSUL 40/F E/S 892104 OHMS (BETWEEN LINES)



REMARKS: THERMAL LIMIT CURVE
 XE MOTOR-NEMA NOM. EFF. 94.1 %
 GUARANTEED MIN. EFF. 93.6%

AMPERES SHOWN FOR 460 VOLT CONNECTION, IF OTHER VOLTAGE CONNECTIONS ARE AVAILABLE, THE AMPERES WILL VARY INVERSELY WITH THE RATED VOLTAGE.



DR. BY W.L. SMITH
 CK. BY J.HARRISON
 App. BY W.L. SMITH
 DATE 12/07/05

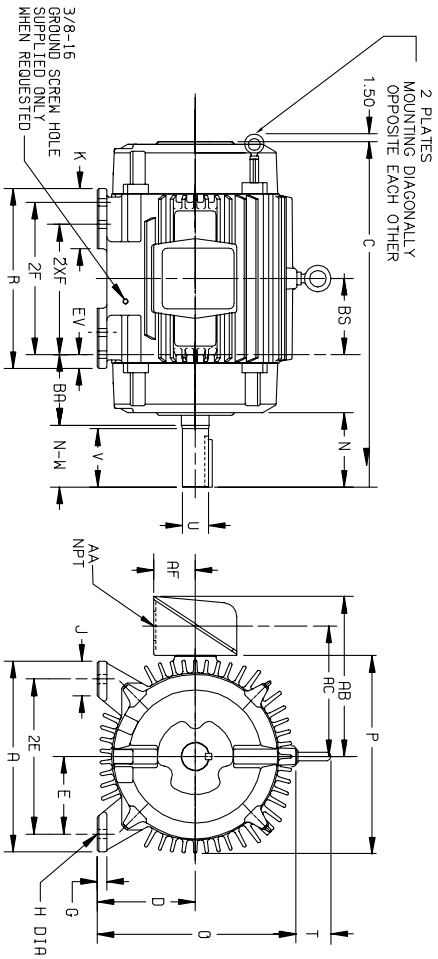
A-C MOTOR
PERFORMANCE
CURVES
 A36WG0757-R001
 ISSUE DATE 12/15/10

Printed on 12/15/10 9:26 @ psecs-motorer

611741-694

DUTY MASTER ALTERNATING CURRENT MOTORS

ENCLOSURE: TOTALLY ENCLOSED SQUIREL-CAGE INDUCTION COOLING: NON-VENTILATED
 MOUNTING: FOOT FRAMES 364T THRU 365TS CAST IRON CONSTRUCTION
 WITH VERTICAL LIFTING



DIMENSIONS ARE IN INCHES

FRAME	A	D(2)	E	G	H	J	K	O	P	T	CAST IRON TERMINAL BOX				
(1)	17.00	9.00	7.00	.88	.69	2.75	3.88	18.50	19.00	2.94	2.50	AA	AB	AC	AF
364T-365TS															

FRAME SIZE	C	BS	B	2F	(4) 2XF	N	N-W(6)	U(3)	V	SA.	LGTH.	WEIGHT
(1)												(5)
364T	29.70	6.12	15.00	---	11.25	6.25	2.375	5.62	.625	4.25	810	
364TS	27.58	6.12	15.00	---	11.25	4.12	3.75	3.50	.500	2.00	805	
365T	29.70	6.12	15.00	12.25	---	6.25	5.88	2.375	5.62	4.25	835	
365TS	27.58	6.12	15.00	12.25	---	4.12	3.75	1.875	3.50	.500	2.00	830

- (1) SPECIAL DIMENSIONS APPLYING TO THIS ORDER ON THIS LINE.
- (2) "D" VARIES +.00, -.06.
- (3) "U" VARIES +.000, -.001.
- (4) ALL FRAMES HAVE EIGHT MOUNTING HOLES FOR DUAL MOUNTING.
- (5) MOTOR WEIGHTS MAY VARY BY 15% DEPENDING UPON RATING.
- (6) "N-W" VARIES +.00, -.25.
- (7) OPTIONAL AUXILIARY CONDUIT BOX SUPPLIED ONLY WHEN SPECIFIED.

CONDUIT BOX LOCATED ON OPPOSITE SIDE WHEN F-2,W-1, W-4,W-5,W-7, OR C-1 MOUNTING IS SPECIFIED.
 IF MOUNTING CLEARANCE DETAILS ARE REQUIRED, CONSULT FACTORY.
 MAXIMUM PERMISSIBLE SHAFT RUNOUT WHEN MEASURED .003 T.I.R. 1.825 DIA.

CUSTOMER IS RESPONSIBLE FOR DETERMINING THAT BALDOR'S PRODUCT WILL PERFORM SUITABLY IN THE INTENDED APPLICATION.

REV. DESC: CHG CBOX "AA" DIMENSION TO 2-1/2"	VERSION: 01	TDR: 000000717435
REV. LTR: A	REVISED: 09:52:24 10/19/2011	BY: RAGGDM
FILE: \RAG\000008\959		
MTL: -		

BALDOR
 DIM SHT TENV XT FT 360T WITH VERTICAL LIFTING
 SH 1 of 1

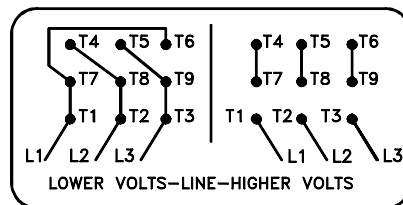
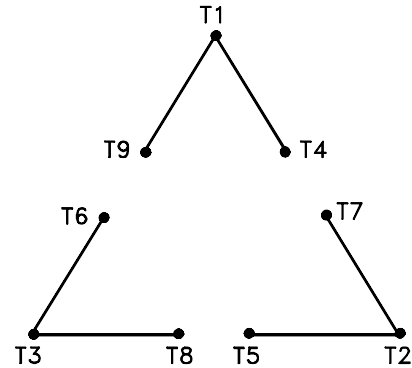
FRAME _____ TYPE _____ CERTIFIED FOR _____
 ORDER _____ ITEM _____ HP _____ RPM _____ PH _____ HZ _____ VOLTS _____
 SALES ORDER _____ APPROVED BY _____ DATE _____

669-147119

Dealers Industrial Equipment -- Visit <https://DealersElectric.com> or call (908) 688-1966 for all of your electric motor & VFD needs!

416820-002

A-C MOTOR
CONNECTION DIAGRAM
STANDARD 9 LEAD DELTA-CONNECTED



(N.P. 1575-B)

416820-002

REV. DESC: LOADED TO BUS, C/R 335225		
REV. LTR: -	VERSION: 00	TDR: 000000538207
FILE: \MGA\00000\661	REVISED: 10: 47: 51 04/30/2010	
MTL: -	BY: RAGRA	

BALDOR

CONN DIAG - STANDARD 9 LEAD, DELTA-CONNECTED

SH 1 of 1

Marketing maintained PDF of MN408:

<http://www.baldor.com/support/Literature/Load.ashx/MN408?ManNumber=MN408>

Marketing maintained PDF of MN416:

<http://www.baldor.com/support/Literature/Load.ashx/MN416?ManNumber=MN416>