



BALDOR® • RELIANCE

Product Information Packet

ECP84114T-4

50HP,3530RPM,3PH,60HZ,326TS,1266M,TEFC,F

Part Detail							
Revision:	P	Status:	PRD/A	Change #:		Proprietary:	No
Type:	AC	Prod. Type:	1266M	Elec. Spec:	12WGY668	CD Diagram:	CD0006
Enclosure:	TEFC	Mfg Plant:		Mech. Spec:	12E827	Layout:	12LYE827
Frame:	326TS	Mounting:	F1	Poles:	02	Created Date:	03-12-2013
Base:	RG	Rotation:	R	Insulation:	F	Eff. Date:	08-20-2016
Leads:	3#8					Replaced By:	
Literature:		Elec. Diagram:					

Dealers Industrial Equipment -- Visit <https://DealersElectric.com> or call (908) 688-1966 for all of your electric motor & VFD needs!

Nameplate NP3190											
STK.NO.	ECP84114T-4		P/N			ENCLOSURE	TEFC				
SPEC.	12E827Y668		CC	010A	FRAME	326TS		S/N			
HP	50		CLASS	F	HZ	60		ODE BRG	6312	DE BRG	6312
RPM	3530	RPM MAX	5400		PH	3		DES	B		
VOLT	460		KVA-CODE	F			O.D.E. BRG.	60BC03X30X			
AMP	55		MOTOR WEIGHT	558			GREASE	POLYREX EM			
RATING	40C AMB-CONT		MAX. KVAR	3.9			BLANK				
NEMA-NOM-EFF	93	# OF ROTOR BARS	28		SER.F.	1.15		IP	56		
G.MIN.EFF	91.7		# OF STATOR SLOTS	36		PF	92		INV.TYPE	PWM	
TEMP CODE	T3		INVERTER-TEMP-CODE	200							
TEMP =	200		C HP FR	60		C HP TO	90				
CT HZ FROM	6		CT HZ TO	60							
HTR-VOLTS			HTR-AMPS			HTR-WATTS			MAX. SPACE HEATER TEMP.		
									VT HZ FROM	3	
									VT HZ TO	60	

Dealers Industrial Equipment -- Visit <https://DealersElectric.com> or call (908) 688-1966 for all of your electric motor & VFD needs!

Parts List		
Part Number	Description	Quantity
SA259836	SA 12E827Y668	1.000 EA
RA246591	RA 12E827Y668	1.000 EA
37FN3002B04	EXFN, PLASTIC, 7.50 OD, 2.000 ID	1.000 EA
WD1000B19	TERMINAL BURNDY L250HP	1.000 EA
10XN3816K08	3/8-16 X .50 HEX HD CAP SCREW GRADE 5	1.000 EA
10CB1000A04E	CONDUIT BOX, MACH W/E-COAT	1.000 EA
09GS1010	GASKET, DWG, LEADWIRE SEPERATOR	1.000 EA
10XN3118K16	5/16-18 X 1' GRADE #5, STL, ZINC PLATE	4.000 EA
HW1001A31	LOCKWASHER 5/16, ZINC PLT.591 OD, .319 I	4.000 EA
WD1000B16	T&B CX70TN TERMINAL	1.000 EA
10XN2520K06	1/4-20 X 3/8" HX HD SCREWGRADE 5, ZINC P	1.000 EA
HW1001A25	LOCKWASHER 1/4, ZINC PLT .493 OD, .255 I	1.000 EA
HA3400A32	STUD, 1/2-13 X 7.38	4.000 EA
HW1001A50	LOCKWASHER 1/2, ZINC PLT.,879 OD, .509 I	4.000 EA
HW4500A20	1/8NPT SL PIPE PLUG	1.000 EA
HA4017A01	1/8 X 4 GREASE EXT (F/S)	1.000 EA
HA4017A11	1/8 X 2.75 GREASE EXT (F/S)	1.000 EA
HW4019A01	PIPE COUPLING 1/8 NPT,STEEL,ZINC COATING	1.000 EA
HA4002A01	DRAIN PLUG STAINLESS STL	1.000 EA
HW4601A55	INPRO/SEAL #1698-A-M0022-0 VBXX 312 BRG/	1.000 EA
HW5100A15	W4997-050 WVY WSHR (WB)	1.000 EA
10XN3118K40	5/16-18 X 2.50" HEX HD, GRADE 5	4.000 EA
12EP1111A01E	SPL PUEP 312 BRG FOR INPRO SEAL W/E-COAT	1.000 EA
HW4500A20	1/8NPT SL PIPE PLUG	1.000 EA

Parts List (continued)		
Part Number	Description	Quantity
10XN5013K28	1/2-13 X 1.75 HEX HEAD MACH SCREW,GRAD	4.000 EA
HW1001A50	LOCKWASHER 1/2, ZINC PLT.,.879 OD, .509 I	4.000 EA
HA4002A01	DRAIN PLUG STAINLESS STL	1.000 EA
HW4601A55	INPRO/SEAL #1698-A-M0022-0 VBXX 312 BRG/	1.000 EA
10XN3118K40	5/16-18 X 2.50" HEX HD, GRADE 5	4.000 EA
XY5013A12	NUT,1/2-13,HEX,STEEL,ZINCPLATED	4.000 EA
HW1001A50	LOCKWASHER 1/2, ZINC PLT.,.879 OD, .509 I	4.000 EA
10CB1503A01P	CONDUIT BOX LIPPED LID, MACH W/EPXY PRMR	1.000 EA
14GS1003	GASKET CONDUIT BOX LID, NEOP	1.000 EA
10XN2520K16	1/4-20 X 1" HX HD SCRW GRADE 5, ZINC P	4.000 EA
HW1001A25	LOCKWASHER 1/4, ZINC PLT .493 OD, .255 I	4.000 EA
MJ5004A59	ADHESIVE LOCTITE #401 SURFACE INSENSITIV	0.010 EA
HW2501H18	KEY, 1/2 SQ X 2.000	1.000 EA
MJ5001A27	32220KN GRAY SEALER *MIN BUY 4 QTS=1GAL	0.031 QT
MJ5001A14	DYNAPRO SEAL, CP MOTORS VC#2508050 (603	0.029 EA
LB1115N	LABEL,LIFTING DEVICE (ON ROLLS)	1.000 EA
MN416A01	TAG-INSTAL-MAINT no wire (1200/bx) 11/14	1.000 EA
12EP1111A02GE6	FR ENDPLATE, MACH W/E-COAT & MG1025N19	1.000 EA
HW4500A21	1618BALEMITE FITTING 825 UNIVERSAL	1.000 EA
HA4051A00	PLASTIC CAP FOR GREASE FITTING	1.000 EA
HW4500A17	317400 ALEMITE GREASE RELIEF	1.000 EA
MJ1000A02	GREASE, POLYREX EM EXXON (USe 4824-15A)	0.200 LB
HW4500A03	GREASE FITTING, .125 NPT 1610(ALEMITE) 8	1.000 EA
HA4051A00	PLASTIC CAP FOR GREASE FITTING	1.000 EA

Dealers Industrial Equipment -- Visit <https://DealersElectric.com> or call (908) 688-1966 for all of your electric motor & VFD needs!

Product Information Packet: ECP84114T-4 - 50HP,3530RPM,3PH,60HZ,326TS,1266M,TEFC,F

HW4500A17	317400 ALEMITE GREASE RELIEF	1.000 EA
HW2500A25	WOODRUFF KEY USA #1008 #BLOW CARBON STEE	1.000 EA
51XB1214A20	12-14X1.25 HXWSSLD SERTYB	1.000 EA
12FH1002A15GP6	FAN COVER, MACH, W/PRIMER W/MG1025N19	1.000 EA
MG1025N19	PAINT, 778.50 WILKO, RELIANCE ELEC GREEN	0.080 GA
85XU0407S04	4X1/4 U DRIVE PIN STAINLESS	4.000 EA
LB1449	DIV-2/NEC WARNING LABEL	1.000 EA
WD1000B48	T&B D73, RING TERMINAL 8 AWG 3/8 STUD	3.000 EA
LB1119N	WARNING LABEL	1.000 EA
LC0006	CONNECTION LABEL	1.000 EA
NP3190	SS IEEE841 INV DIV-2 UL CSA-C US EEV	1.000 EA
12PA1000	PACKAGING GROUP PRINT PK1024A06	1.000 EA

Dealers Industrial Equipment -- Visit <https://DealersElectric.com> or call (908) 688-1966 for all of your electric motor & VFD needs!

AC Induction Motor Performance Data

Record # 42156 - Typical performance - not guaranteed values

Winding: 12WGY668-R001	Type: 1266M	Enclosure: TEFC
-------------------------------	--------------------	------------------------

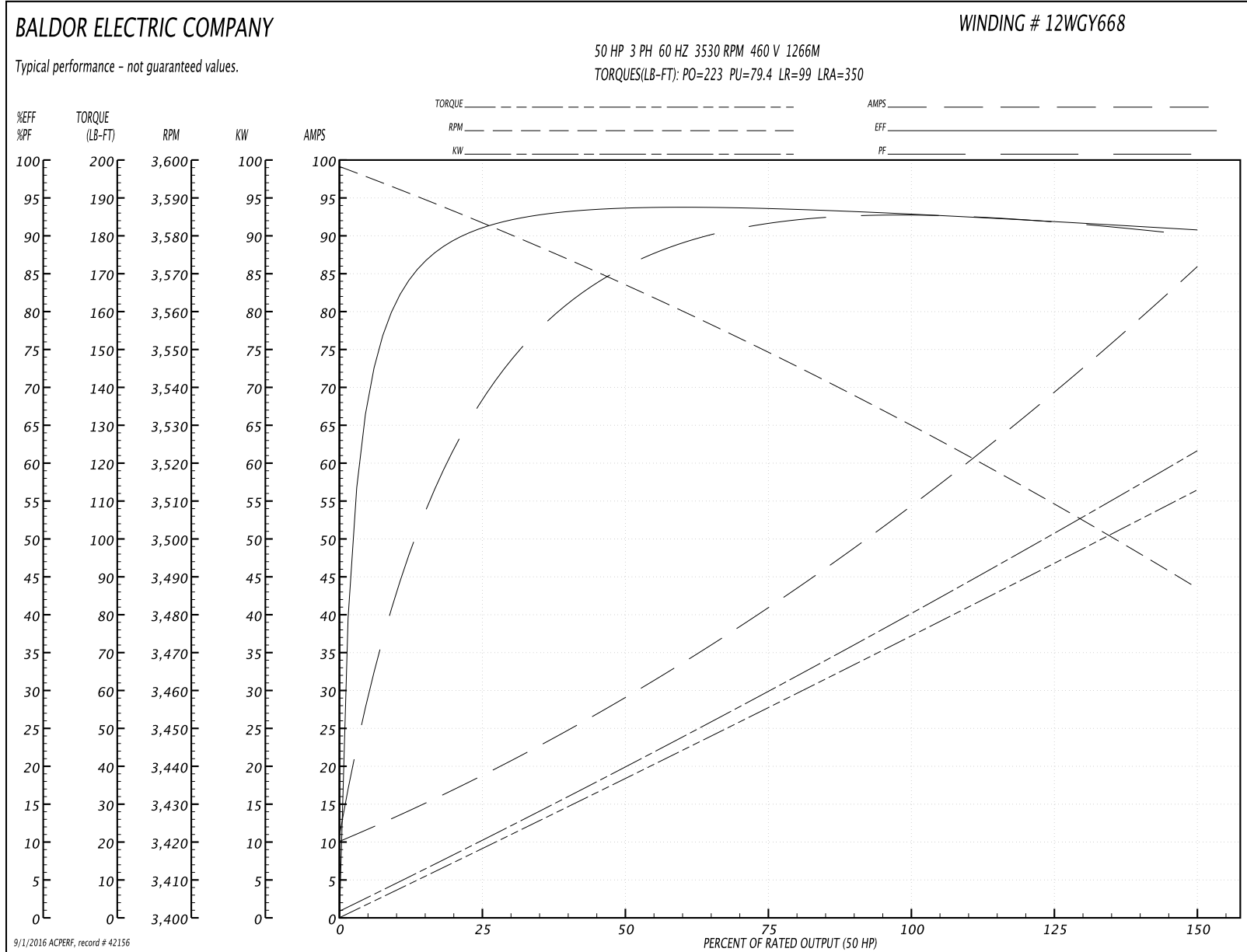
Nameplate Data				460 V, 60 Hz: Single Voltage Motor	
Rated Output (HP)	50			Full Load Torque	74.5 LB-FT
Volts	460			Start Configuration	direct on line
Full Load Amps	55			Breakdown Torque	223 LB-FT
R.P.M.	3530			Pull-up Torque	79.4 LB-FT
Hz	60	Phase	3	Locked-rotor Torque	99 LB-FT
NEMA Design Code	B	KVA Code	F	Starting Current	350 A
Service Factor (S.F.)	1.15			No-load Current	11 A
NEMA Nom. Eff.	93	Power Factor	92	Line-line Res. @ 25°C	0.114 Ω
Rating - Duty	40C AMB-CONT			Temp. Rise @ Rated Load	78°C
S.F. Amps				Temp. Rise @ S.F. Load	96°C
				Rotor inertia	5.16 LB-FT ²

Load Characteristics 460 V, 60 Hz, 50 HP

% of Rated Load	25	50	75	100	125	150	S.F.
Power Factor	75	87	91	92	92	90	92
Efficiency	91	93.4	93.6	93	92	90.8	92.4
Speed	3582.5	3566.1	3549.1	3530.5	3509.9	3486.2	3518
Line amperes	17.7	28.8	41.5	55.2	69.5	85.6	63.8

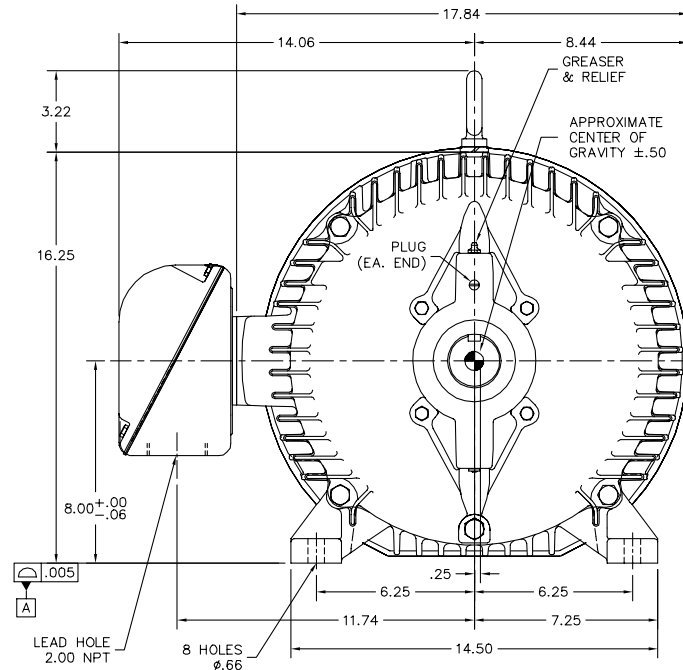
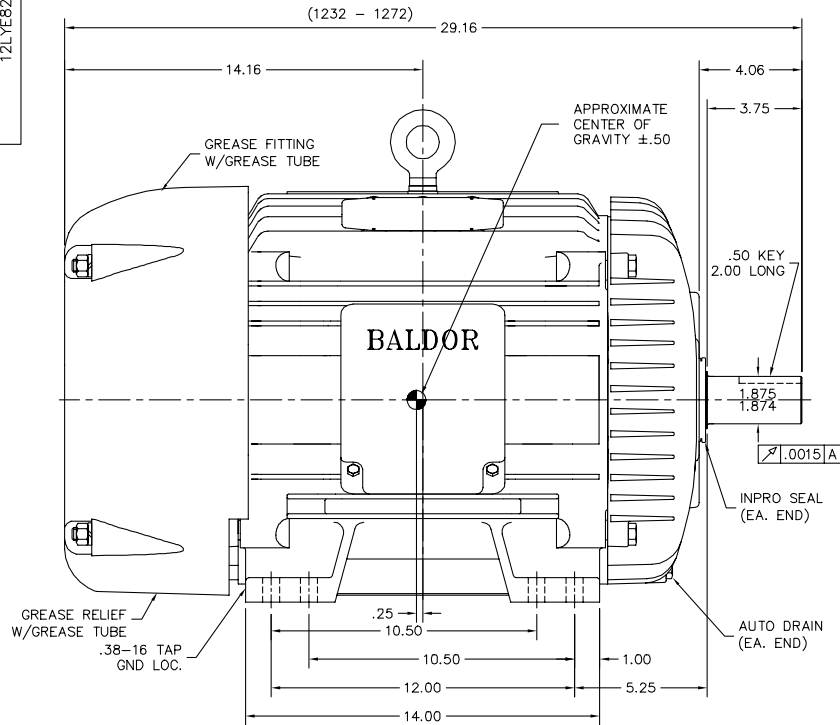
Dealers Industrial Equipment -- Visit <https://DealersElectric.com> or call (908) 688-1966 for all of your electric motor & VFD needs!

Performance Graph at 460V, 60Hz, 50.0HP Typical performance - Not guaranteed values



Dealers Industrial Equipment -- Visit <https://DealersElectric.com> or call (908) 688-1966 for all of your electric motor & VFD needs!

12LYE827



CUSTOMER IS RESPONSIBLE FOR DETERMINING THAT BALDOR'S PRODUCT WILL PERFORM SUITABLY IN THE INTENDED APPLICATION.

REV. DESC: ADDED CENTER OF GRAVITY	VERSION: 04	TDR: 00000982822
REV. LTR: D	REVISOR: ENNINDO	BY: ENNINDO
FILE: \AAA\00133\400	REVISED: 04:14:52 06/03/2016	
MTL: -		

BALDOR

HORZ TEFC 324-6TS IEEE-841 2 PL W/312 BRGS
SH 1 of 1

12LYE827

Dealers Industrial Equipment -- Visit <https://DealersElectric.com> or call (908) 688-1966 for all of your electric motor & VFD needs!

CD0006

TYPICAL WYE-CONNECTED MOTOR

TYPICAL DELTA-CONNECTED MOTOR

NOTES:

1. THREE LEAD MOTOR MAY BE EITHER WYE CONNECTED OR DELTA CONNECTED.
2. INTERCHANGE ANY TWO LINE LEADS TO REVERSE ROTATION.
3. OPTIONAL THERMOSTATS ARE PROVIDED WHEN SPECIFIED.
4. ACTUAL NUMBER OF INTERNAL PARALLEL CIRCUITS MAY VARY.
5. LEAD COLORS ARE OPTIONAL. LEADS MUST BE NUMBERED AS SHOWN.

CD0006

REV. DESC: REVISE TO SHOW OPTIONAL COLORS				BALDOR ELECTRIC Co.
REV. LTR: D	BY: JLP	REVISED: 01/21/99 4:02	TDR: 0171435	
9000D		FILE: AAA00005141	MDL: -	
		MTL: -		
3PH, SV, 3 LEADS, WYE OR DELTA CONNECTED				