



BALDOR® • RELIANCE

Product Information Packet

42F099W770

25HP,870RPM,3PH,60HZ,365T,4246M,OPSB,F1

Part Detail							
Revision:	C	Status:	INA/A	Change #:		Proprietary:	No
Type:	AC	Prod. Type:	4246M	Elec. Spec:	42WGW770	CD Diagram:	CD0006
Enclosure:	OPSB	Mfg Plant:		Mech. Spec:	42F99	Layout:	42LYF099
Frame:	365T	Mounting:	F1	Poles:	08	Created Date:	
Base:	RG	Rotation:	R	Insulation:	F	Eff. Date:	03-04-2008
Leads:	3#8					Replaced By:	
Literature:		Elec. Diagram:					

Nameplate NP1256L										
CAT.NO.										
SPEC.	42F099W770									
HP	25									
VOLTS	460									
AMP	36									
RPM	870									
FRAME	365T				HZ	60			PH	3
SER.F.	1.15		CODE	G	DES	B		CLASS	F	
NEMA-NOM-EFF	89.5		PF	73						
RATING	40C AMB-CONT									
CC									USABLE AT 208V	N/A
DE	6313				ODE	6311				
ENCL	OPSB		SN							

Dealers Industrial Equipment -- Visit <https://DealersElectric.com> or call (908) 688-1966 for all of your electric motor & VFD needs!

Parts List		
Part Number	Description	Quantity
SA118303	SA 42F099W770	1.000 EA
RA109153	RA 42F099W770	1.000 EA
HA6360	LIFTING LUG FOR 42 FRAME MOTORS.	2.000 EA
HA6017A01	CAST ADAPTOR	1.000 EA
19XW3118A12	.31-18 X .75 HEX WASHER HEAD TAPTITE II	2.000 EA
HW1001A31	LOCKWASHER 5/16, ZINC PLT.591 OD, .319 I	2.000 EA
10CB3002	CONDUIT BOX CAST W/3.625 LEAD HOLE	1.000 EA
HW1001A31	LOCKWASHER 5/16, ZINC PLT.591 OD, .319 I	4.000 EA
WD1000B16	T&B CX70TN TERMINAL	1.000 EA
51XF2520A08	SCREW, HEX SER SLT HD, ZN 1/4-20 X .50 L	1.000 EA
42EP3200A01	FR ENDPLATE, MACH 324-6T	1.000 EA
HW5100A13	W4627-047 WVY WSHER	1.000 EA
42EP1202A01	STD PU ENDPLATE MODEL 42 313 BRG.	1.000 EA
10XN3816K44	3/8-16 X 2.75 HEX HD CAP SCREW, GRADE 5	4.000 EA
HW1001A38	LOCKWASHER 3/8, ZINC PLT .688 OD, .382 I	4.000 EA
XY5013A12	NUT,1/2-13,HEX,STEEL,ZINCPLATED	8.000 EA
10CB3500	CONDUIT BOX LID, CAST	1.000 EA
51XW2520A12	.25-20 X .75, TAPTITE II, HEX WSHR SLTD	4.000 EA
HW2501J36	KEY, 5/8 SQ X 4.250	1.000 EA
LB1115N	LABEL,LIFTING DEVICE (ON ROLLS)	1.000 EA
19XW3118A12	.31-18 X .75 HEX WASHER HEAD TAPTITE II	4.000 EA
HA4051A00	PLASTIC CAP FOR GREASE FITTING	1.000 EA
HW4500A03	GREASE FITTING, .125 NPT 1610(ALEMITE) 8	1.000 EA
HW4500A20	1/8NPT SL PIPE PLUG	1.000 EA

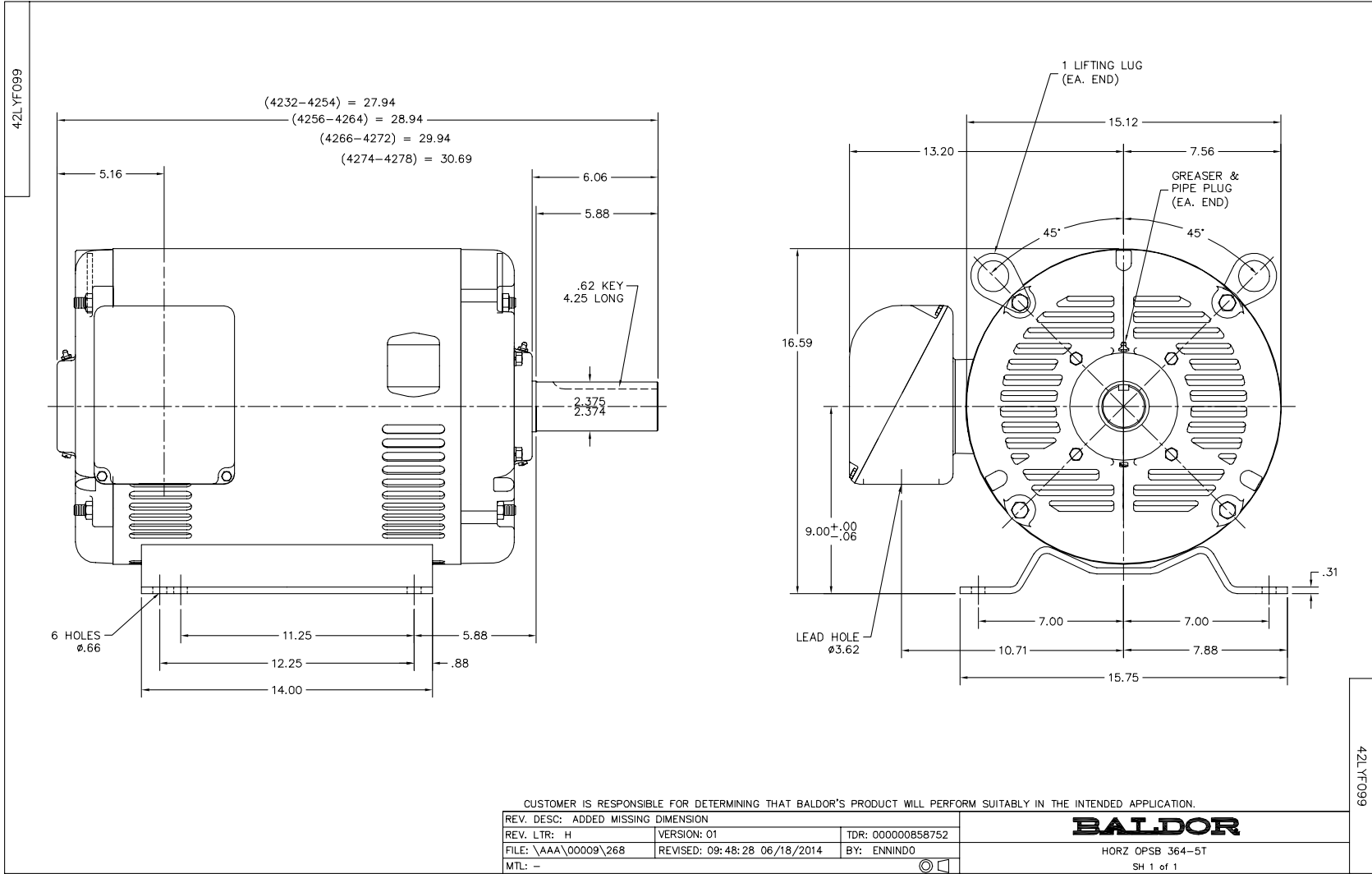
Dealers Industrial Equipment -- Visit <https://DealersElectric.com> or call (908) 688-1966 for all of your electric motor & VFD needs!

Parts List (continued)		
Part Number	Description	Quantity
MJ1000A02	GREASE, POLYREX EM EXXON (USe 4824-15A)	0.030 LB
HA4051A00	PLASTIC CAP FOR GREASE FITTING	1.000 EA
HW4500A03	GREASE FITTING, .125 NPT 1610(ALEMITE) 8	1.000 EA
HW4500A20	1/8NPT SL PIPE PLUG	1.000 EA
MG1000G27	MED CHARCOAL METALLIC GREY 400-0096	0.080 GA
85XU0407A04	#4-7 X 1/4 DRIVE PIN	2.000 EA
42AD2001B01	BAFFLE PLATE 42 OPEN, SLOTTED BAND MTRS	2.000 EA
HA3151A07	THRUBOLT STUD 1/2-13 X 20.000	4.000 EA
LB1119N	WARNING LABEL	1.000 EA
LC0006	CONNECTION LABEL	1.000 EA
LB1172A01	CUSTOM MTR CARTON LABEL LASER PRINTER	4.000 EA
NP1256L	ALUM UL CSA CC	1.000 EA
42PA1000	PACKAGING GROUP PRINT PK1024A06	1.000 EA
12LAM	P/N TO CAPTURE COST ON THOW AWAY LAMINAT	5.750 IN
LB1417	LABEL CARTON 6X4 PERFORATED BLANK ROLLS	1.000 EA

Dealers Industrial Equipment -- Visit <https://DealersElectric.com> or call (908) 688-1966 for all of your electric motor & VFD needs!

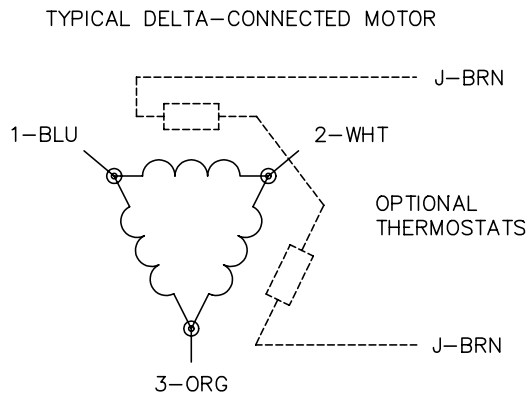
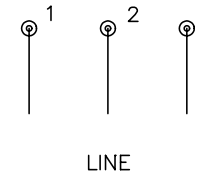
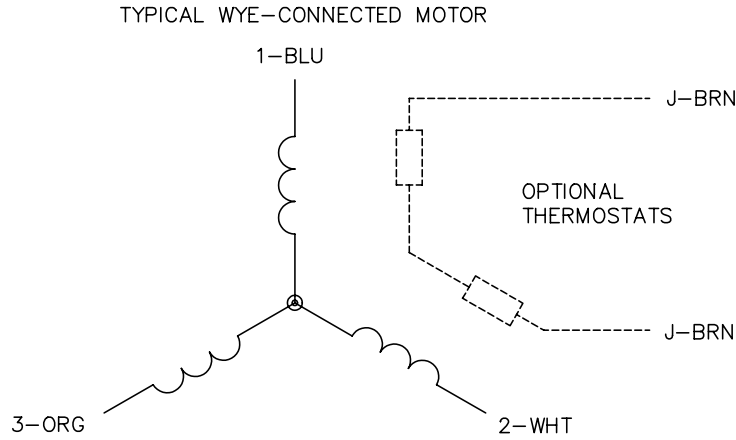
No performance data has been assigned to this product.

Dealers Industrial Equipment -- Visit <https://DealersElectric.com> or call (908) 688-1966 for all of your electric motor & VFD needs!



Dealers Industrial Equipment -- Visit <https://DealersElectric.com> or call (908) 688-1966 for all of your electric motor & VFD needs!

CD0006



NOTES:

1. THREE LEAD MOTOR MAY BE EITHER WYE CONNECTED OR DELTA CONNECTED.
2. INTERCHANGE ANY TWO LINE LEADS TO REVERSE ROTATION.
3. OPTIONAL THERMOSTATS ARE PROVIDED WHEN SPECIFIED.
4. ACTUAL NUMBER OF INTERNAL PARALLEL CIRCUITS MAY VARY.
5. LEAD COLORS ARE OPTIONAL. LEADS MUST BE NUMBERED AS SHOWN.

REV. DESC: REVISE TO SHOW OPTIONAL COLORS			
REV. LTR: D	BY: JLP	REVISED: 01/21/99 4:02	TDR: 0171435
9000D		FILE: AAA00005141	MDL: -
		MTL: -	

BALDOR ELECTRIC Co.

3PH, SV, 3 LEADS, WYE OR DELTA CONNECTED

CD0006