



BALDOR® • RELIANCE

Product Information Packet

37P086Y540

7.5HP,1460RPM,3PH,50HZ,213T,3736M,XPFC,F

Part Detail							
Revision:	T	Status:	INA/A	Change #:		Proprietary:	No
Type:	AC	Prod. Type:	3736M	Elec. Spec:	37WGY540	CD Diagram:	CD0006
Enclosure:	XPFC	Mfg Plant:		Mech. Spec:	37P086	Layout:	37LYP086
Frame:	213T	Mounting:	F1	Poles:	04	Created Date:	
Base:	RG	Rotation:	R	Insulation:	B	Eff. Date:	09-23-2015
Leads:	3#14					Replaced By:	
Literature:		Elec. Diagram:					

Dealers Industrial Equipment -- Visit <https://DealersElectric.com> or call (908) 688-1966 for all of your electric motor & VFD needs!

Nameplate NP1426XPSL	
NO.	<input type="text"/>
SER.	<input type="text"/>
SPEC.	37P086Y540
CAT.NO.	<input type="text"/>
HP	7.5
VOLTS	380
AMPS	12.5
RPM	1460
HZ	50
SER.F.	1.00
RATING	40C AMB-CONT
FRAME	213T
USABLE AT 208V	<input type="text"/>
BLANK	<input type="text"/>

CC	<input type="text"/>
T. CODE	T3C
PH	3
CL	B
DES	B
CODE	H
NEMA-NOM-EFF	87.5
PF	76

Parts List		
Part Number	Description	Quantity
SA033221	SA 37P086Y540	1.000 EA
RA029252	RA 37P086Y540	1.000 EA
35CB3001A02SP	EXPL PROOF CONDUIT BOX, 3/4"PIPE TAP LEA	1.000 EA
11XW1032G06	10-32 X .38, TAPTITE II, HEX WSHR SLTD U	1.000 EA
HW3001B01	BRASS CUP WASHER, FOR #8 SCREW	1.000 EA
37EP1102A01	STD FR EP, XPFC	1.000 EA
HW4500A19	1/4-28X1/4 SLOTTED PLUG F/S	2.000 EA
HW5100A06	W2420-025 WVY WSHR (WB)	1.000 EA
37EP1701A02	PU ENDPLATE,TEFC, 1 FAN, W/GREASER, MACH	1.000 EA
HW4500A19	1/4-28X1/4 SLOTTED PLUG F/S	2.000 EA
37FH2000A01SP	STD XPROOF FAN COVER	1.000 EA
10XN2520A12	O1/4-20X 3/4 HEX HEAD CAP	4.000 EA
HW1001A25	LOCKWASHER 1/4, ZINC PLT .493 OD, .255 I	4.000 EA
35CB3500A01SP	CONDUIT BOX LID, MACH	1.000 EA
51XN2520A16	SCREW, HEX WS SLT, ZN, 1/4-20 X 1.00	4.000 EA
HW2501F21	KEY, 5/16 SQ X 2.375	1.000 EA
HA7000A02	KEY RETAINER RING, 1 1/8 DIA, 1 3/8 DIA	1.000 EA
85XU0407S04	4X1/4 U DRIVE PIN STAINLESS	6.000 EA
LB1115N	LABEL,LIFTING DEVICE (ON ROLLS)	1.000 EA
MJ1000A02	GREASE, POLYREX EM EXXON (USe 4824-15A)	0.050 LB
37FN3002A01	EXFN, PLASTIC, 9.00 OD, 1.155 ID	1.000 EA
51XB1214A20	12-14X1.25 HXWSSLD SERTYB	1.000 EA
XY2520A12	1/4-20 HEX NUT, DIRECTIONAL SERRATIONS	1.000 EA
MG1025G29	WILKOFAS, 789.229, DARK CHARCOAL GRAY	0.028 GA

Parts List (continued)		
Part Number	Description	Quantity
NP0018F	ALUM UL XP CONDUIT BOX NAMEPLATE	1.000 EA
HA3106A03	THRUBOLT- 1/2-13 X 11.875 X	4.000 EA
LB1119N	WARNING LABEL	1.000 EA
LB1161	LABEL,THERMOSTAT (ROLL LABEL)	1.000 EA
NP1426XPSL	SS XP UL CSA CC CL-I GP-D CL-II GP-F&G	1.000 EA
37PA1039	PALLET PACK GRP, PRINT PK1026A06	1.000 EA
MN416A01	TAG-INSTAL-MAINT no wire (1200/bx) 11/14	1.000 EA
LB1417	LABEL CARTON 6X4 PERFORATED BLANK ROLLS	1.000 EA

AC Induction Motor Performance Data

Record # 12404 - Typical performance - not guaranteed values

Winding: 37WGY540-R001	Type: 3736M	Enclosure: XPFC
-------------------------------	--------------------	------------------------

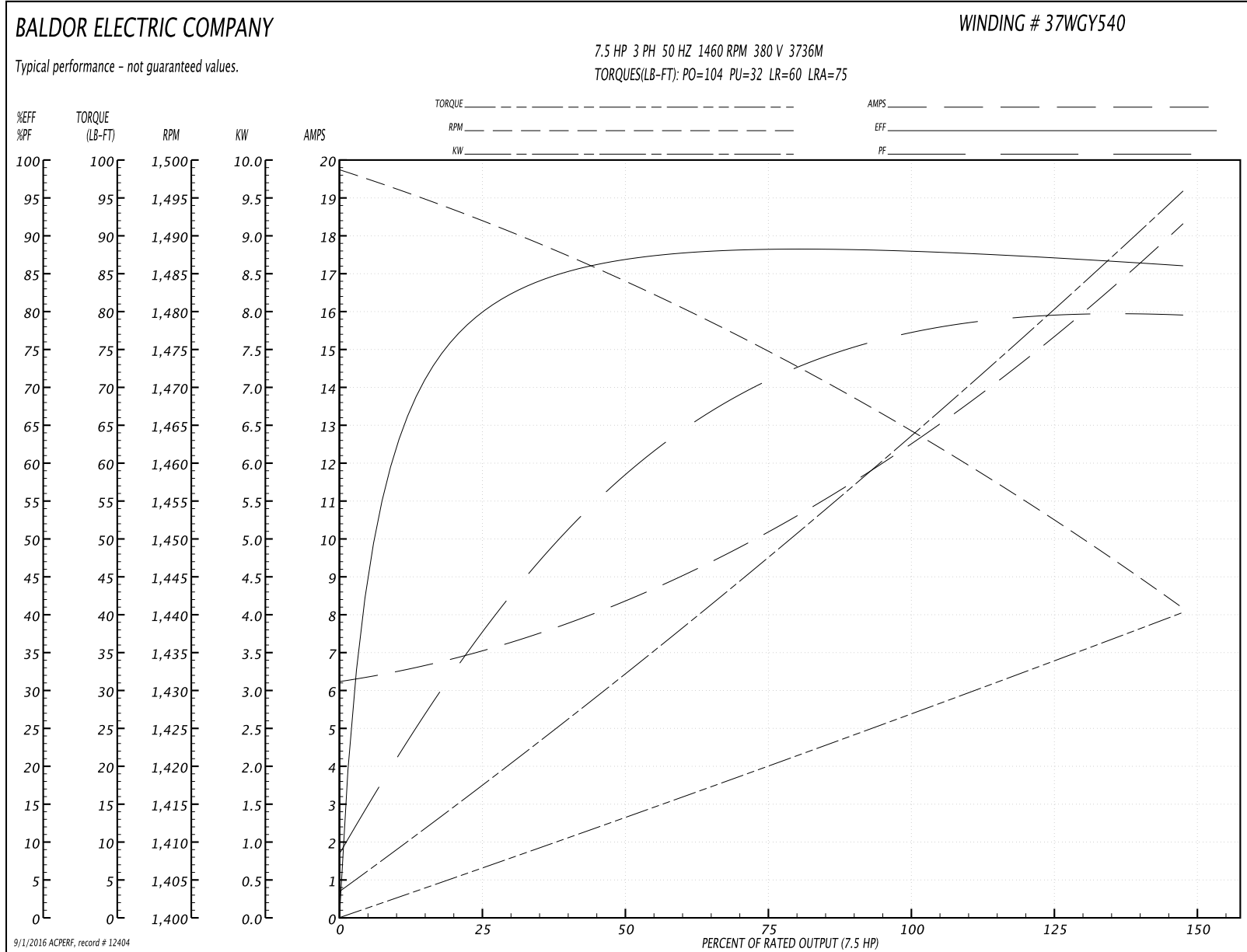
Nameplate Data				380 V, 50 Hz: Single Voltage Motor	
Rated Output (HP)	7.5			Full Load Torque	26.9 LB-FT
Volts	380			Start Configuration	direct on line
Full Load Amps	12.5			Breakdown Torque	104 LB-FT
R.P.M.	1460			Pull-up Torque	32 LB-FT
Hz	50	Phase	3	Locked-rotor Torque	60 LB-FT
NEMA Design Code	B	KVA Code	H	Starting Current	75 A
Service Factor (S.F.)	1			No-load Current	6.3 A
NEMA Nom. Eff.	87.5	Power Factor	76	Line-line Res. @ 25°C	1.1 Ω
Rating - Duty	40C AMB-CONT			Temp. Rise @ Rated Load	73°C
				Rotor inertia	0.885 LB-FT ²

Load Characteristics 380 V, 50 Hz, 7.5 HP

% of Rated Load	25	50	75	100	125	150
Power Factor	38	59	70	76	80	81
Efficiency	79.5	86.6	88.2	88.2	87.3	85.9
Speed	1492	1483	1474	1465	1454	1440
Line amperes	7	8.3	10.3	12.6	15.2	18.3

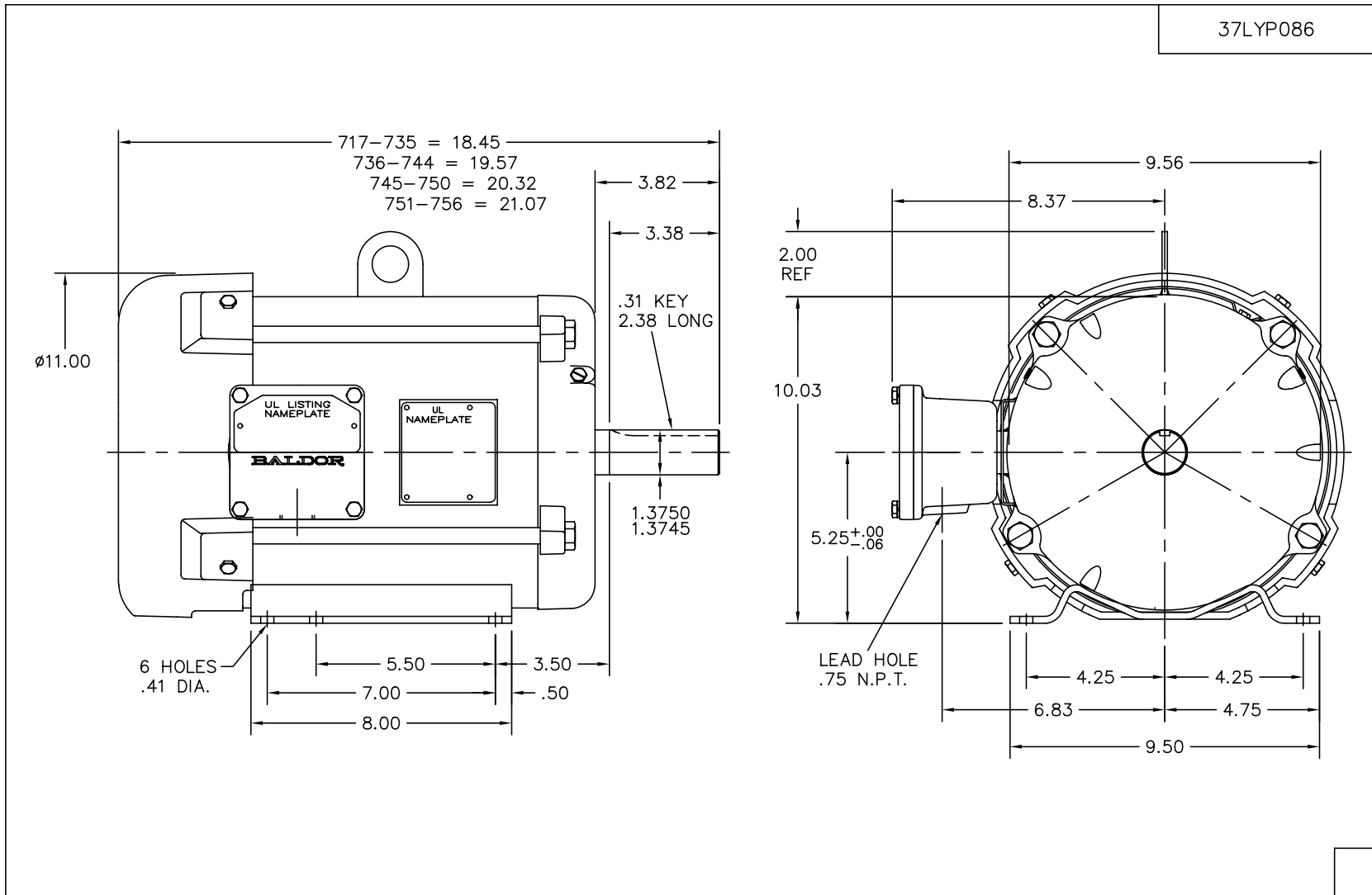
Dealers Industrial Equipment -- Visit <https://DealersElectric.com> or call (908) 688-1966 for all of your electric motor & VFD needs!

Performance Graph at 380V, 50Hz, 7.5HP Typical performance - Not guaranteed values



Dealers Industrial Equipment -- Visit <https://DealersElectric.com> or call (908) 688-1966 for all of your electric motor & VFD needs!

Dealers Industrial Equipment -- Visit <https://DealersElectric.com> or call (908) 688-1966 for all of your electric motor & VFD needs!



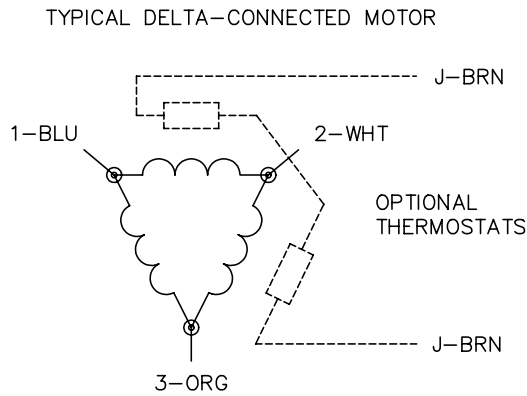
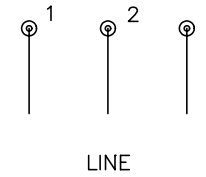
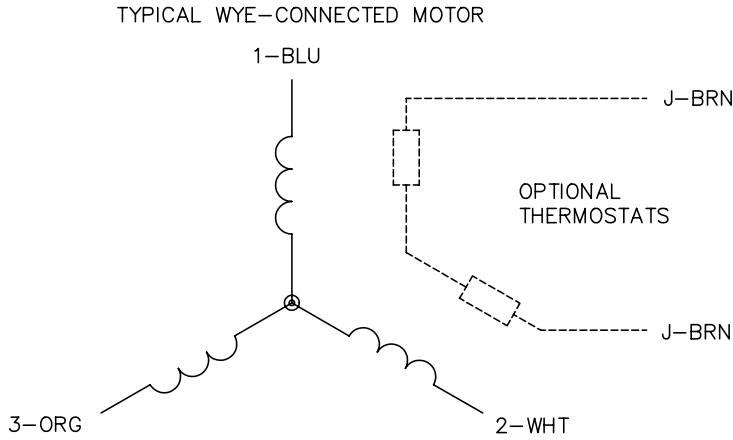
37LYP086

CUST. NAME		CUST. P.O.		CERTIFIED BY		MODEL		INSUL		AMB							
H.P.		MTG		TYPE		R.P.M.		VOLTS		ENCL		PHASE		FREQ		FRAME	
REV. DESC: SHOW LIFTING LUG												BALDOR ELECTRIC Co.					
REV. LTR: H		BY: OD		REVISED: 09/29/98 12:37				TDR: 0143092									
37LYP086				FILE: AAA00019789				MDL: -									
MTL: -												STD HOR 213-5T XPFC 37M DUAL CLASS W/TSTATS					

37LYP086

Dealers Industrial Equipment -- Visit <https://DealersElectric.com> or call (908) 688-1966 for all of your electric motor & VFD needs!

CD0006



NOTES:

1. THREE LEAD MOTOR MAY BE EITHER WYE CONNECTED OR DELTA CONNECTED.
2. INTERCHANGE ANY TWO LINE LEADS TO REVERSE ROTATION.
3. OPTIONAL THERMOSTATS ARE PROVIDED WHEN SPECIFIED.
4. ACTUAL NUMBER OF INTERNAL PARALLEL CIRCUITS MAY VARY.
5. LEAD COLORS ARE OPTIONAL. LEADS MUST BE NUMBERED AS SHOWN.

REV. DESC: REVISE TO SHOW OPTIONAL COLORS			
REV. LTR: D	BY: JLP	REVISED: 01/21/99 4:02	TDR: 0171435
9000D		FILE: AAA00005141	MDL: -
		MTL: -	

BALDOR ELECTRIC Co.

3PH, SV, 3 LEADS, WYE OR DELTA CONNECTED

CD0006