



BALDOR® • RELIANCE

Product Information Packet

35P430Z164G1

1KW,2000RPM,DC,143T,3536P,TEFC,F1

Part Detail							
Revision:	B	Status:	INA/A	Change #:		Proprietary:	No
Type:	DC	Prod. Type:		Elec. Spec:	35WGZ164	CD Diagram:	CD0194
Enclosure:	TEFC	Mfg Plant:		Mech. Spec:	35P430	Layout:	35LYP430
Frame:	143T	Mounting:	F1	Poles:	///	Created Date:	
Base:	RG	Rotation:	R	Insulation:	H	Eff. Date:	03-20-2005
Field Type:		Literature:		Elec. Diagram:		Replaced By:	

Dealers Industrial Equipment -- Visit <https://DealersElectric.com> or call (908) 688-1966 for all of your electric motor & VFD needs!

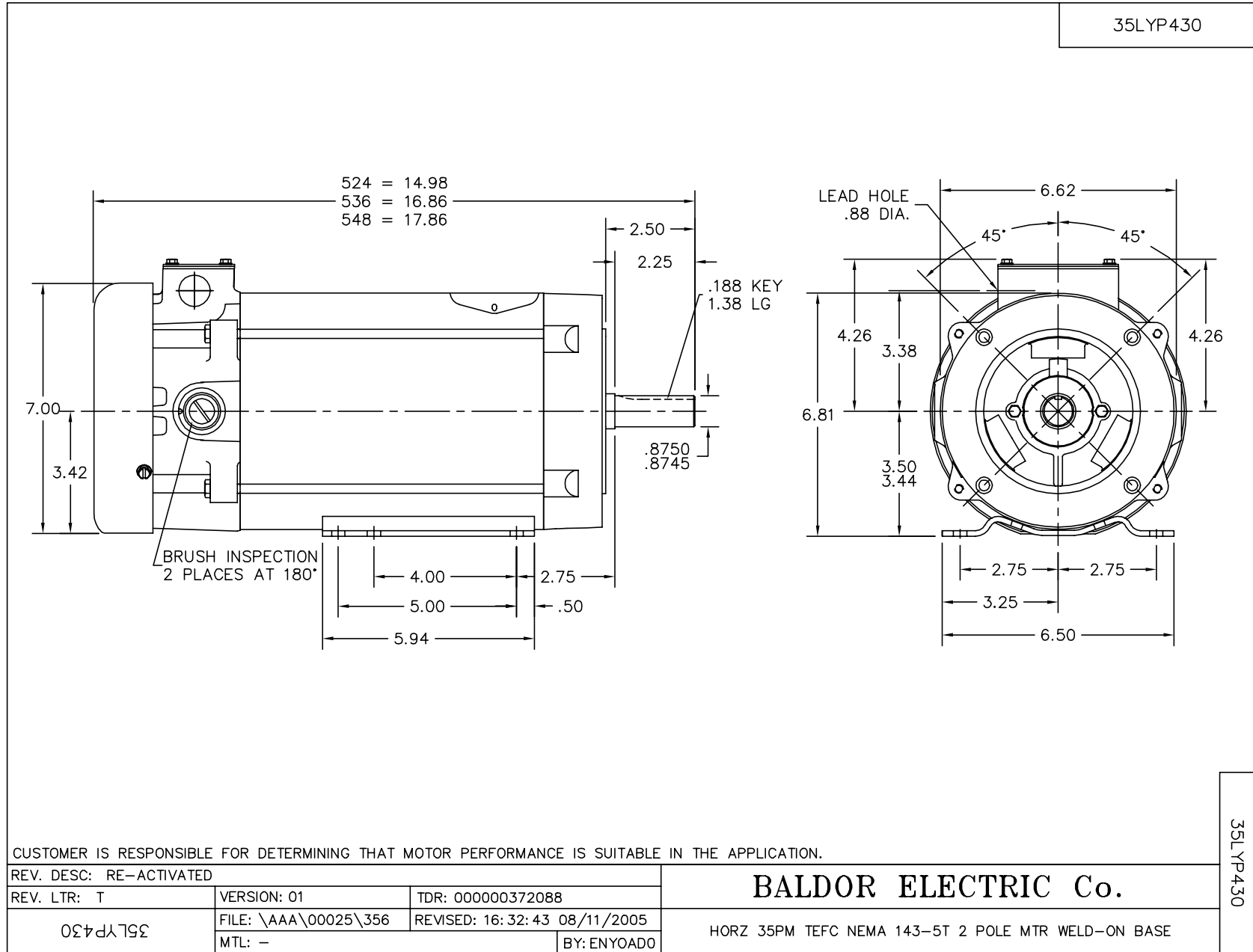
Nameplate NP0111			
CAT.NO.			
SPEC.	35P430Z164G1		
HP	1 KW	ENCL	TEFC
RPM	2000		
FRAME	143T	TYPE	PM3536P
ARM V	200	ARM A	5.1
FLD V		FLD A	
INSUL	H	AMB.	40C
DUTY	CONT		SUPPLY K
BRG/DE	6205	BRG/ODE	6205
BRUSHES	2/BP5000T15		
		BLANK	
SER.			
BLANK			

Dealers Industrial Equipment -- Visit <https://DealersElectric.com> or call (908) 688-1966 for all of your electric motor & VFD needs!

Parts List		
Part Number	Description	Quantity
SA051947	SA 35P430Z164G1	1.000 EA
AA005872	AA 35P430Z164G1	1.000 EA
11XW1032G06	10-32X3/8 HX WSHR HD,SLTDTYPE 23,GREEN	1.000 EA
HW3001B01	D3019 BRASS WASHER(STIMP)	1.000 EA
HW1003A10	WASHER, #10 EX TH LK, ZN X	1.000 EA
35EP3110A01	STD FR EP TEFC F1 MTG FOR EXT T'BOLT 35P	1.000 EA
HW5100A05	WVY WSHR F/205 & 304 BRGS	1.000 EA
35EP3301A02	SPL HORZ FACE MTD EP - ENCL, 56C 35PM-20	1.000 EA
51XN1032A20	10-32 X 1 1/4 HX WS SL SR	2.000 EA
BP5201A14SP	BRUSH HOLDER ASSY	1.000 EA
80XN1032A03	10-32 X 3/16 SET SCREW	2.000 EA
MJ5004A05	#242-21 LOCTITE GENERAL PURPOSE MED. STR	0.001 EA
35FN3002A05SP	EXFN, PLASTIC, 6.376 OD, .638 ID	1.000 EA
51XB1214A16	12-14X1.00 HXWSSLD SERTYB	1.000 EA
35FH4005A04	IEC FH NO GRSR W/1.09 SHAFT HOLE, W/	1.000 EA
11XT1032A06	10-32 X 3/8 HX WSHR HD SLTD TYPE 23	3.000 EA
WD4102A01	SR-6L-1 HEYCO STRN RELIEF OR 23MPO6L10 M	1.000 EA
WD4100A17	PLUG STIMPSON D4036	1.000 EA
35CB4506	CONDUIT BOX LID, STAMPED	1.000 EA
35GS1010	CONDUIT BOX LID, GASKET	1.000 EA
51XT0832A07	8-32 X .44 TYPE 23 HEX WASHER SLOTTED	2.000 EA
HW2501D13	KEY, 3/16 SQ X 1.375	1.000 EA
HA7000A01	KEY RETAINER 7/8" DIA SHAFT	1.000 EA
MG1000G27	MED CHARCOAL METALLIC GREY 400-0096	0.017 GA

Parts List (continued)		
Part Number	Description	Quantity
10XF0440S02	04-40 X 1/8 TYPE F HEX HD STAINLESS STIC	2.000 EA
BP5000T15SP	CARBON BRUSH-35P,180VOLTS	1.000 EA
HW4600B46	V-RING SLINGER 0.875 X 1.420 X .24 VITON	1.000 EA
HA3101A46	tHRUBOLT- 1/4-20 X 10.00 X	4.000 EA
LB1119N	WARNING LABEL	1.000 EA
LB1172A01	CUSTOM MTR CARTON LABEL LASER PRINTER	1.000 EA
LC0194	CONNECTION LABEL	1.000 EA
NP0111	NP- STD 2 HOLE DC	1.000 EA
35PA1007	PKG GRP, PRINT PK1034A06	1.000 EA
LB1417	LABEL CARTON 6X4 PERFORATED BLANK ROLLS	1.000 EA

Dealers Industrial Equipment -- Visit <https://DealersElectric.com> or call (908) 688-1966 for all of your electric motor & VFD needs!



Dealers Industrial Equipment -- Visit <https://DealersElectric.com> or call (908) 688-1966 for all of your electric motor & VFD needs!

