



BALDOR® • RELIANCE

Product Information Packet

12E993W814G1

50HP,3540RPM,3PH,60HZ,326TC,1244M,XPFC,F

Part Detail							
Revision:	B	Status:	INA/A	Change #:		Proprietary:	No
Type:	AC	Prod. Type:	1244M	Elec. Spec:	12WGW814	CD Diagram:	CD0180
Enclosure:	XPFC	Mfg Plant:		Mech. Spec:	12E993	Layout:	12LYE993
Frame:	326TC	Mounting:	F1	Poles:	02	Created Date:	11-30-2006
Base:	N	Rotation:	R	Insulation:	B	Eff. Date:	08-10-2009
Leads:	9#8					Replaced By:	
Literature:		Elec. Diagram:					

Dealers Industrial Equipment -- Visit <https://DealersElectric.com> or call (908) 688-1966 for all of your electric motor & VFD needs!

Nameplate NP0015XP

NO.		CC	
SER.			
SPEC.	12E993W814G1		
CAT.NO.			
HP	50	T. CODE	T3C
VOLTS	230/460		
AMPS	112/56		
RPM	3540		
HZ	60	PH	3
SER.F.	1.00	DES	B
RATING	40C AMB-CONT		
FRAME	326TC	NEMA-NOM-EFF	92.4
USABLE AT 208V			PF 90
		CL	B
		CODE	H

Parts List		
Part Number	Description	Quantity
SA151090	SA 12E993W814G1	1.000 EA
RA139923	RA 12E993W814G1	1.000 EA
09FN3001D03	EXTERNAL FAN, PLASTIC	1.000 EA
09CB1000A02	CONDUIT BOX, MACH	1.000 EA
10XN3118K16	5/16-18 X 1' GRADE #5, STL, ZINC PLATE	4.000 EA
HW1001A31	LOCKWASHER 5/16, ZINC PLT.591 OD, .319 I	4.000 EA
WD1000B16	T&B CX70TN TERMINAL	1.000 EA
10XN2520K06	1/4-20 X 3/8" HX HD SCREWGRADE 5, ZINC P	1.000 EA
HW1001A25	LOCKWASHER 1/4, ZINC PLT .493 OD, .255 I	1.000 EA
WD4509A02	APPLETON GRLB100 W/ 1"NPT	1.000 EA
HW4002A02	1-11.5X2LG PIPE NIPPLE (F/S)	1.000 EA
12EP1705A01	ENDPLATE, MACH. 312 - EXPLOSION PROOF 31	1.000 EA
HA3051A03	1/2-13X2.75 BLT GR8 1.75 TO E NC F/S	4.000 EA
HW1001A50	LOCKWASHER 1/2, ZINC PLT.,879 OD, .509 I	4.000 EA
HW5100A13	W4627-047 WVY WSHER	1.000 EA
10XN3118K44	5/16-18 X 2.75" HEX HD, GRADE 5	4.000 EA
HW1001A31	LOCKWASHER 5/16, ZINC PLT.591 OD, .319 I	4.000 EA
12EP1707A02	FACE MTD. ENDPLATE, MACH X-PROOF (NEW DE	1.000 EA
HA3051A03	1/2-13X2.75 BLT GR8 1.75 TO E NC F/S	4.000 EA
HW1001A50	LOCKWASHER 1/2, ZINC PLT.,879 OD, .509 I	4.000 EA
12FH1001A01	FAN HOUSING 312 EXPLOSION PROOF MOTORS	1.000 EA
10XN3118K12	5/16-18 X .75 GRADE 5, ZINC PLATED	3.000 EA
HW1001A31	LOCKWASHER 5/16, ZINC PLT.591 OD, .319 I	3.000 EA
09CB1500A01SP	CONDUIT BOX LID, MACH	1.000 EA

Parts List (continued)		
Part Number	Description	Quantity
10XN2520K16	1/4-20 X 1" HX HD SCRW GRADE 5, ZINC P	6.000 EA
HW1001A25	LOCKWASHER 1/4, ZINC PLT .493 OD, .255 I	6.000 EA
HW2501H33	KEY, 1/2 SQ X 3.875	1.000 EA
LB1115N	LABEL,LIFTING DEVICE (ON ROLLS)	1.000 EA
LB5040	INSTRUCT TAG, REPL W/MN416 OR MN416A01	1.000 EA
HW4500A20	1/8NPT SL PIPE PLUG	2.000 EA
MJ1000A02	GREASE, POLYREX EM EXXON (USe 4824-15A)	0.200 LB
HW4500A20	1/8NPT SL PIPE PLUG	2.000 EA
HW2500A25	WOODRUFF KEY USA #1008 #BLOW CARBON STEE	1.000 EA
51XB1214A20	12-14X1.25 HXWSSLD SERTYB	1.000 EA
MG1025G05	WILKOFAS, 789.227, MED. GRAY CHAR. MET.	0.080 GA
85XU0407A04	#4-7 X 1/4 DRIVE PIN	6.000 EA
LB1073	ALUM XP CAUTION LABEL	1.000 EA
LB1119N	WARNING LABEL	1.000 EA
LB1172A01	CUSTOM MTR CARTON LABEL LASER PRINTER	2.000 EA
LC0181	CONNECTION LABEL	1.000 EA
NP0015XP	UL/CSA, CLI GP-D,CC	1.000 EA
10PA1027	PK GP WOOD BASE 310-312 VERT 42-7/8	1.000 EA
PK3651A01	3 X 14 CARDBOARD STRIPS COATED (VERT)	2.000 EA
LB1037	LABEL, EQ'D W/SPACE HTRS OR STRIP HTRS	1.000 EA
MN416A01	TAG-INSTAL-MAINT no wire (1200/bx) 11/14	1.000 EA
LB1417	LABEL CARTON 6X4 PERFORATED BLANK ROLLS	1.000 EA

Dealers Industrial Equipment -- Visit <https://DealersElectric.com> or call (908) 688-1966 for all of your electric motor & VFD needs!

AC Induction Motor Performance Data
Record # 3171 - Typical performance - not guaranteed values

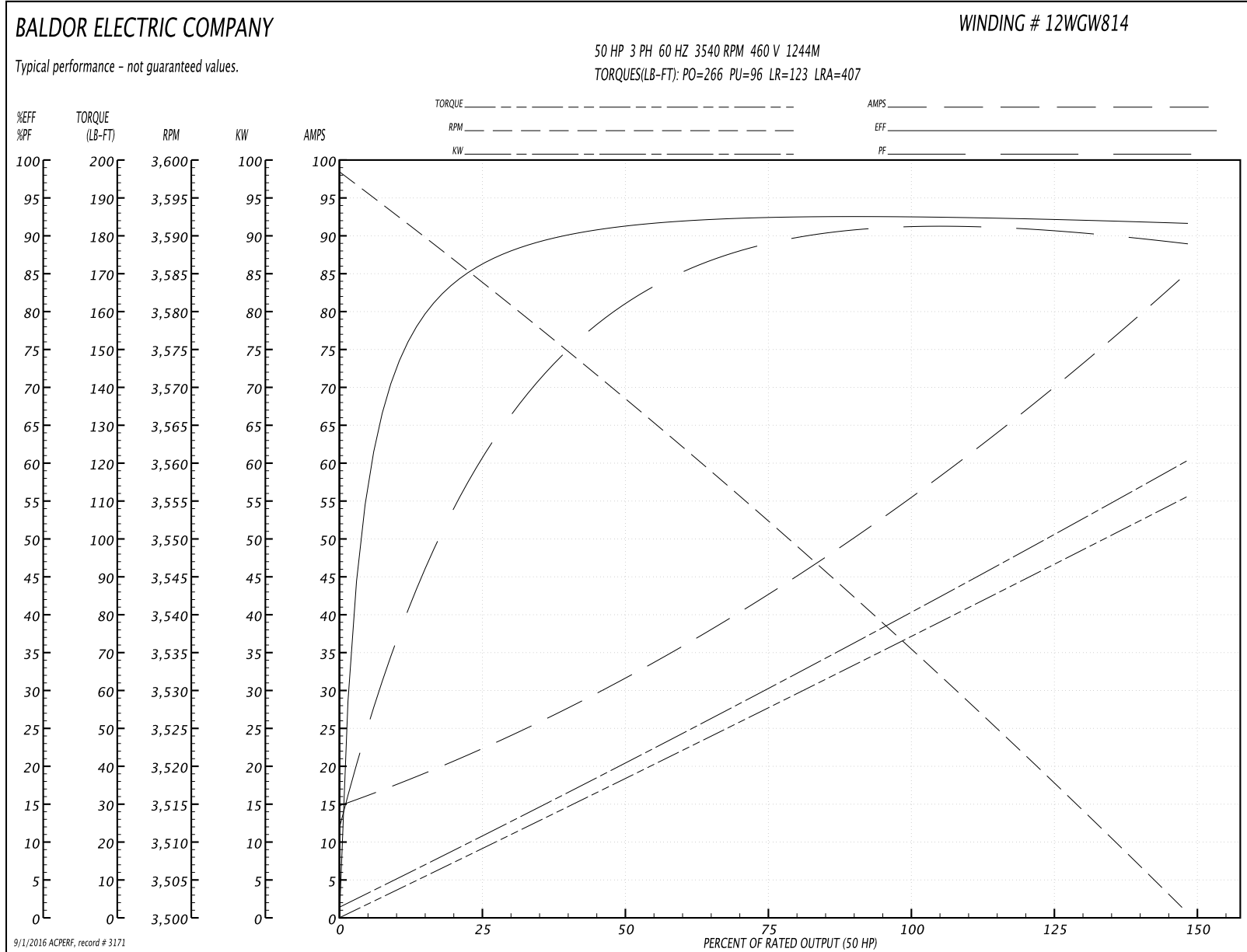
Winding: 12WGW814-R002	Type: 1244M	Enclosure: XPFC
-------------------------------	--------------------	------------------------

Nameplate Data				460 V, 60 Hz: High Voltage Connection	
Rated Output (HP)	50			Full Load Torque	74.2 LB-FT
Volts	230/460			Start Configuration	direct on line
Full Load Amps	112/56			Breakdown Torque	266 LB-FT
R.P.M.	3540			Pull-up Torque	96 LB-FT
Hz	60	Phase	3	Locked-rotor Torque	123 LB-FT
NEMA Design Code	B	KVA Code	H	Starting Current	407 A
Service Factor (S.F.)	1			No-load Current	15.7 A
NEMA Nom. Eff.	92.4	Power Factor	90	Line-line Res. @ 25°C	0.1289 Ω
Rating - Duty	40C AMB-CONT			Temp. Rise @ Rated Load	78°C
				Rotor inertia	3.44 LB-FT ²

Load Characteristics 460 V, 60 Hz, 50 HP

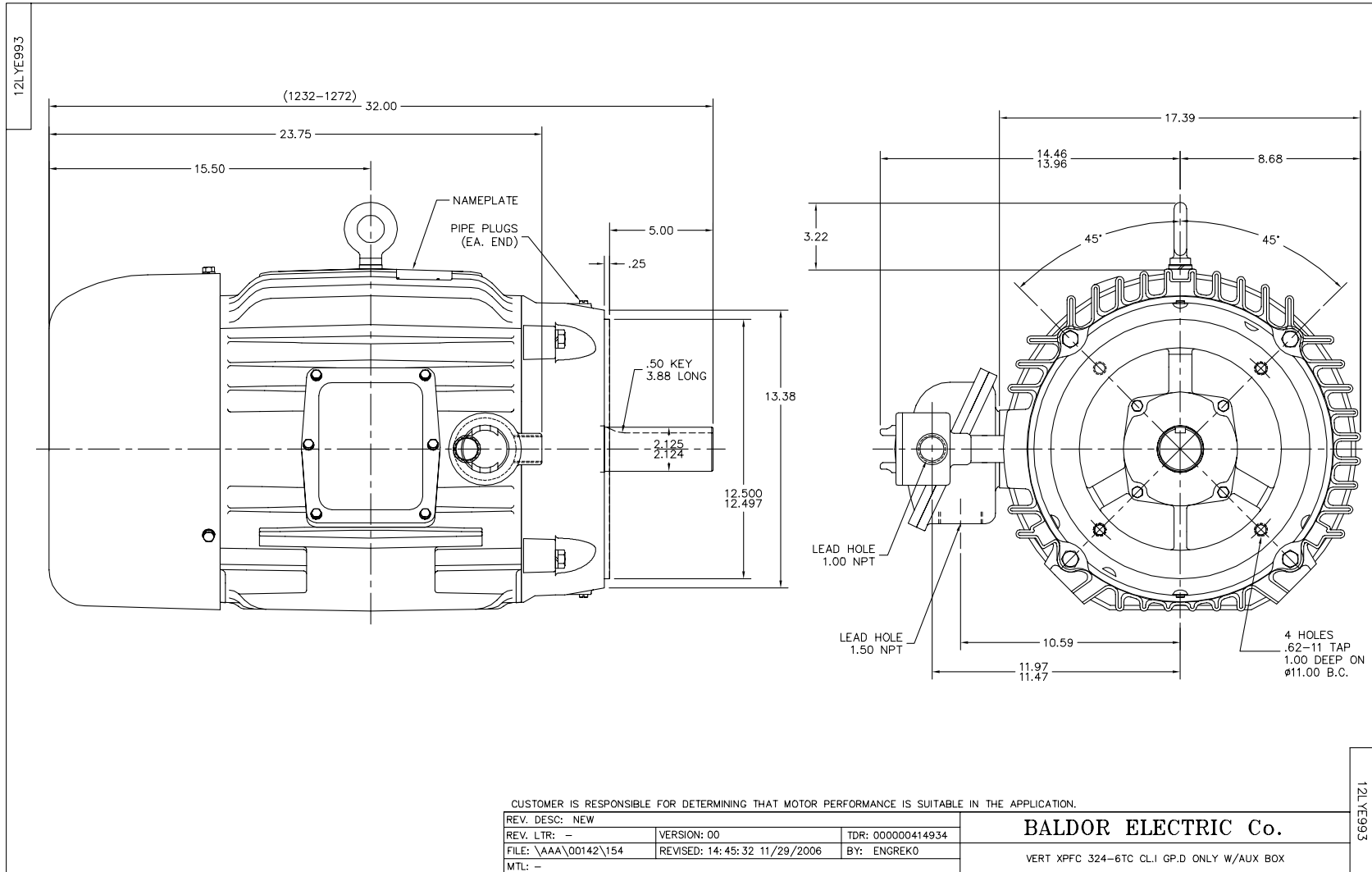
% of Rated Load	25	50	75	100	125	150
Power Factor	64	82	88	90	91	91
Efficiency	86.2	91.2	92.4	92.6	92.2	91.6
Speed	3583	3568	3552	3536	3519	3500
Line amperes	21.2	31.3	43.2	56	70.1	84.6

Performance Graph at 460V, 60Hz, 50.0HP Typical performance - Not guaranteed values



Dealers Industrial Equipment -- Visit <https://DealersElectric.com> or call (908) 688-1966 for all of your electric motor & VFD needs!

Dealers Industrial Equipment -- Visit <https://DealersElectric.com> or call (908) 688-1966 for all of your electric motor & VFD needs!



Dealers Industrial Equipment -- Visit <https://DealersElectric.com> or call (908) 688-1966 for all of your electric motor & VFD needs!

