



BALDOR® • RELIANCE

Product Information Packet

06G782W958G1

3HP,3460RPM,3PH,60HZ,182JM,0619M,XPFC,F1

Part Detail							
Revision:	D	Status:	INA/A	Change #:		Proprietary:	No
Type:	AC	Prod. Type:	0618M	Elec. Spec:	06WGW958	CD Diagram:	CD0005
Enclosure:	XPFC	Mfg Plant:		Mech. Spec:	06G782	Layout:	06LYG782
Frame:	182JM	Mounting:	F1	Poles:	02	Created Date:	08-23-2011
Base:	N	Rotation:	R	Insulation:	F	Eff. Date:	09-17-2015
Leads:	9#16					Replaced By:	
Literature:		Elec. Diagram:					

Nameplate NP0977XPSL										
NO.							CC	010A		
SER.							TEMP CODE	T3C		
SPEC.	06G782W958G1									
CAT.NO.										
HP	3									
VOLTS	230/460									
AMPS	7.6/3.8									
RPM	3460						MOTOR WEIGHT	127		
HERTZ	60	PH	3	CL	F	DE BRG	6007			
SER.F.	1.15	DES	B	CODE	K	ODE BRG	6205			
FRAME	182JM		GREASE	POLYREX EM						
RATING	40C AMB-CONT									
USABLE AT 208V					NEMA-NOM-EFF	86.5		PF	87	

Dealers Industrial Equipment -- Visit <https://DealersElectric.com> or call (908) 688-1966 for all of your electric motor & VFD needs!

Parts List		
Part Number	Description	Quantity
SA229317	SA 06G782W958G1	1.000 EA
RA216367	RA 06G782W958G1	1.000 EA
34FN3002B02	EXTERNAL FAN, PLASTIC, .905/.907 HUB W/	1.000 EA
HW3201A05	3/8-16 EYEBOLT	1.000 EA
07CB1000A02	CONDUIT BOX, MODEL 306,EXP. PROOF	1.000 EA
84XN2520J12	1/4-20 X 3/4 SOC.HD CAP SCR	4.000 EA
HW1001A25	LOCKWASHER 1/4, ZINC PLT .493 OD, .255 I	4.000 EA
WD1000B17	T&B CX35TN TERMINAL	1.000 EA
11XW1032G06	10-32 X .38, TAPTITE II, HEX WSHR SLTD U	1.000 EA
HW4500A19	1/4-28X1/4 SLOTTED PLUG F/S	2.000 EA
06EP1709A01	SPECIAL FRONT ENDPLATE X06M - XPFC	1.000 EA
10XN3118K20	5/16-18 X 1 1/4 GRADE 5 STEEL ZC PLATED	4.000 EA
HW1001A31	LOCKWASHER 5/16, ZINC PLT.591 OD, .319 I	4.000 EA
HW5100A05	WVY WSHR F/205 & 304 BRGS	1.000 EA
06EP1708A04	PUEP XP 182-4C 6007 BRG GRP-C	1.000 EA
51XN1032A18	10-32 X 1 1/8 HX WS SL SR (ESKAY)	2.000 EA
HW4001A01	1/4 HX SOC PIPE PLG (F/S) ALLOY STEEL W/	2.000 EA
60XN1032A07	10-32 X 1/2 TRUSS HEAD, TORX SERRATED ZN	2.000 EA
10XN3118K20	5/16-18 X 1 1/4 GRADE 5 STEEL ZC PLATED	4.000 EA
HW1001A31	LOCKWASHER 5/16, ZINC PLT.591 OD, .319 I	4.000 EA
51XB1214A16	12-14X1.00 HXWSSLD SERTYB	1.000 EA
06FH1003A10	FAN HOUSING 306 X-PROOF FOR DRIP COVER &	1.000 EA
51XN1032A14	10-32 X 0.875 HX WS SL SR	4.000 EA
36FH4500A09	SPECIAL DRIP COVER, W/PRIMER	1.000 EA

Parts List (continued)		
Part Number	Description	Quantity
HA2001A09	SPACER, .218 ID X .937 LG	3.000 EA
51XN1032A22	10-32 X 1 3/8 HX WS SL SR	3.000 EA
HA6481A01	LIFTING EYE BRACKET FOR 306 & 307 P-BASE	2.000 EA
10XN3816A16	3/8-16 X 1 HEX HD CAP SCREW	4.000 EA
HW1000A38	WASHER, 3/8" FLAT, SAE Z/P	4.000 EA
XY3816A12	3/8-16 FINISHED NUT	4.000 EA
07CB1502A01	CONDUIT BOX LID MACH (DUCTILE IRON)	1.000 EA
84XN2520J16	1/4-20 X 1 SOC HD CAP SCREW	4.000 EA
HW1001A25	LOCKWASHER 1/4, ZINC PLT .493 OD, .255 I	4.000 EA
HW2501D14	KEY, 3/16 SQ X 1.500	1.000 EA
HA7000A01	KEY RETAINER 7/8" DIA SHAFT	1.000 EA
LB1081F	ALUM XP CAUTION LABEL (FS PLANT ONLY-	1.000 EA
LB1115N	LABEL,LIFTING DEVICE (ON ROLLS)	1.000 EA
85XU0407S04	4X1/4 U DRIVE PIN STAINLESS	6.000 EA
MJ1000A02	GREASE, POLYREX EM EXXON (USe 4824-15A)	0.050 LB
MG1025G29	WILKOFASST, 789.229, DARK CHARCOAL GRAY	0.028 GA
LB1119N	WARNING LABEL	1.000 EA
LC0145B01	CONNECTION LABEL	1.000 EA
NP0977XPSL	SS XP UL CSA CC CL-I GP-C&D	1.000 EA
G0PA1000	PKG GRP, PRINT PK1026A06	1.000 EA
MN416A01	TAG-INSTAL-MAINT no wire (1200/bx) 11/14	1.000 EA
LB1417	LABEL CARTON 6X4 PERFORATED BLANK ROLLS	1.000 EA

AC Induction Motor Performance Data

Record # 47263 - Typical performance - not guaranteed values

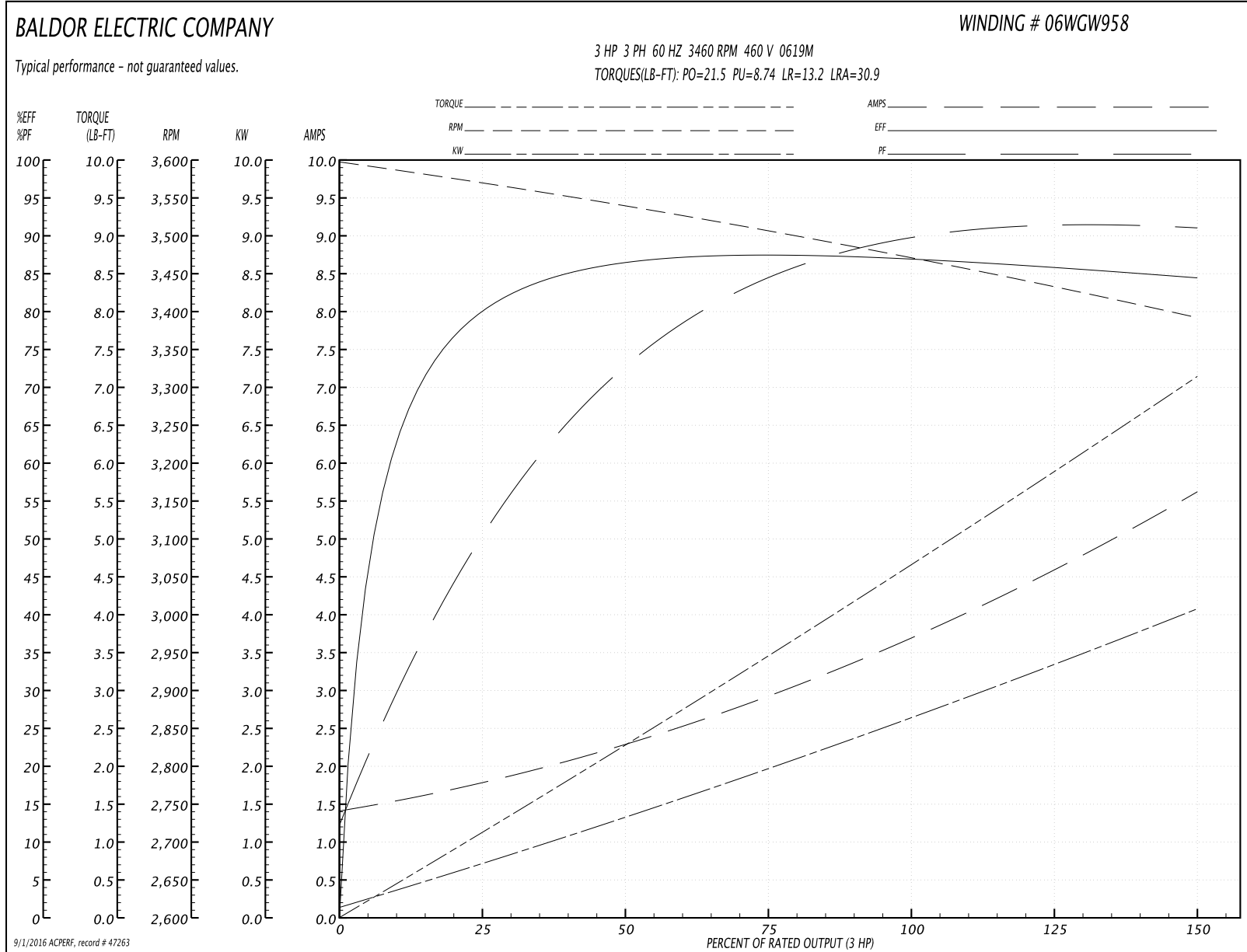
Winding: 06WGW958-R009	Type: 0619M	Enclosure: XPFC
-------------------------------	--------------------	------------------------

Nameplate Data				460 V, 60 Hz: High Voltage Connection	
Rated Output (HP)	3			Full Load Torque	4.73 LB-FT
Volts	230/460			Start Configuration	direct on line
Full Load Amps	7.6/3.8			Breakdown Torque	21.5 LB-FT
R.P.M.	3460			Pull-up Torque	8.74 LB-FT
Hz	60	Phase	3	Locked-rotor Torque	13.2 LB-FT
NEMA Design Code	B	KVA Code	K	Starting Current	30.9 A
Service Factor (S.F.)	1.15			No-load Current	1.47 A
NEMA Nom. Eff.	86.5	Power Factor	87	Line-line Res. @ 25°C	5.1792 Ω
Rating - Duty	40C AMB-CONT			Temp. Rise @ Rated Load	44°C
S.F. Amps				Temp. Rise @ S.F. Load	53°C

Load Characteristics 460 V, 60 Hz, 3 HP

% of Rated Load	25	50	75	100	125	150	S.F.
Power Factor	57	76	84	88	91	92	90
Efficiency	81.2	86.5	87.4	87	85.9	84.2	86.3
Speed	3566	3535.8	3503	3469.3	3433.3	3391.3	3448
Line amperes	1.76	2.31	3.01	3.8	4.63	5.58	4.3

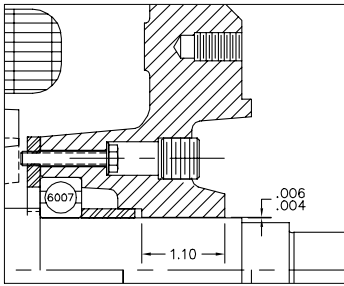
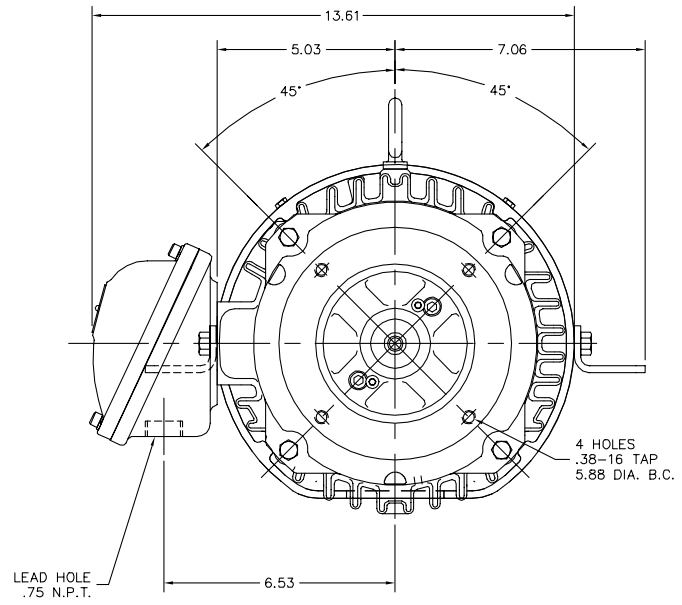
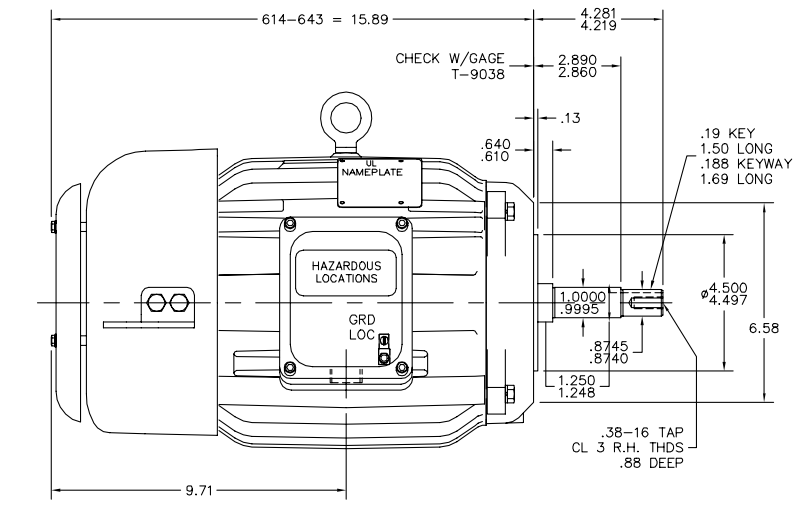
Performance Graph at 460V, 60Hz, 3.0HP Typical performance - Not guaranteed values



Dealers Industrial Equipment -- Visit <https://DealersElectric.com> or call (908) 688-1966 for all of your electric motor & VFD needs!

Dealers Industrial Equipment -- Visit <https://DealersElectric.com> or call (908) 688-1966 for all of your electric motor & VFD needs!

06LYG782



06LYG782

CUSTOMER IS RESPONSIBLE FOR DETERMINING THAT BALDOR'S PRODUCT WILL PERFORM SUITABLY IN THE INTENDED APPLICATION.

REV. DESC: NEW	VERSION: 00	TDR: 000000708B12
REV. LTR: -	REVISED: 09:35:33 08/23/2011	BY: ENALEMO
FILE: \AAA\00184\801		
MTL: -		

BALDOR

VER 182-4JM XPFC 06M CLI GP C&D W/DRIP COVER, LIFT LUGS

SH 1 of 1

Dealers Industrial Equipment -- Visit <https://DealersElectric.com> or call (908) 688-1966 for all of your electric motor & VFD needs!

