

DATE
March 5, 2007
Cat. #: XV0406C

OUTLINE DIMENSIONS

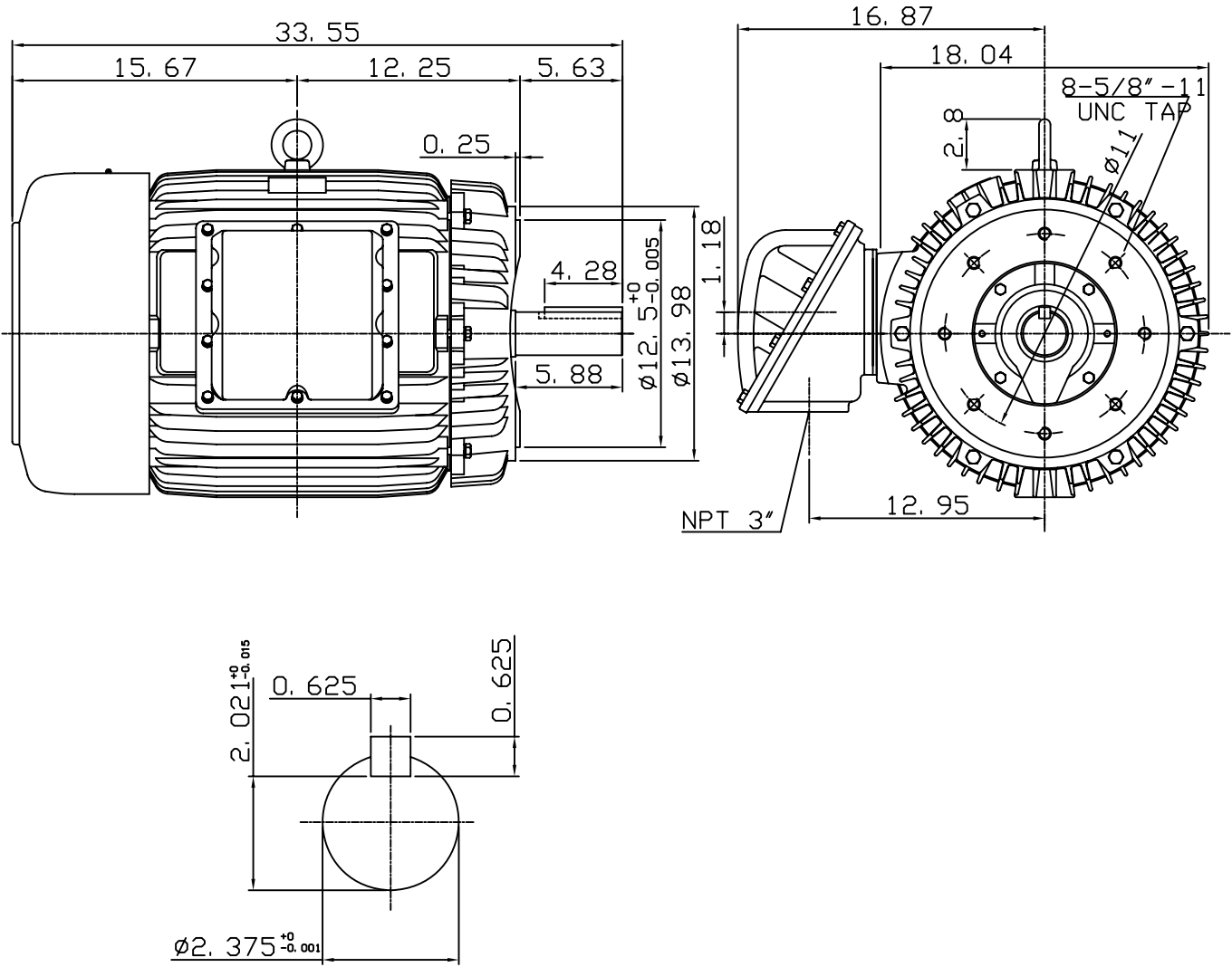
3-PHASE INDUCTION MOTOR

MOTOR TYPE:
AEUHXF
FRAME NO. 364TC

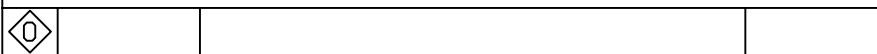
Pole	HP	kW	Hz	VOLT	Syn. Speed r/min(rpm)
6	40	30	60	230/460	1200

Ins	Rating	Dimension in	Approx Weight	Bearings	
F	CONT.	inches	946 lbs	DE: 6313	NDE: 6213

Totally Enclosed Fan-Cooled Vertical Type. Squirrel-Cage Rotor.



Note:
1. Suitable for division I,
class I Group D & class II
Group E, F, G, T2D or T3B.



DWN.	G. L. GUD	05-28-03
CHKD.	C. H. KAD	06-06-03
APPD.	M. C. TSAI	06-06-03

TEC Westinghouse

DWG NO.
31049U566000