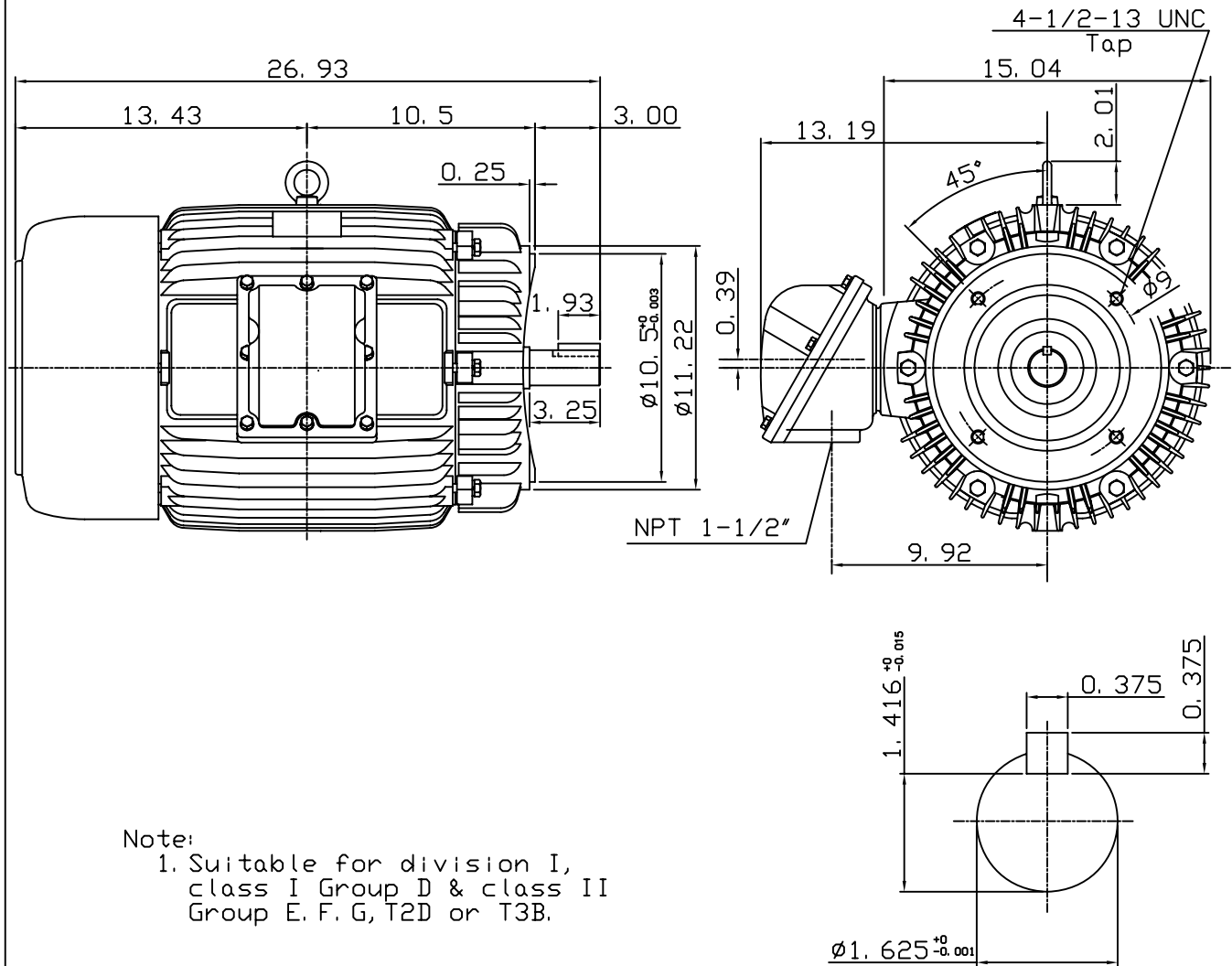


DATE March 5, 2007	OUTLINE DIMENSIONS 3-PHASE INDUCTION MOTOR	MOTOR TYPE: AEUHXF
Cat. #: XV0302C		FRAME NO. 286TSC

Pole	HP	kW	Hz	VOLT	Syn. Speed r/min(rpm)
2	30	22.4	60	230/460	3600

Ins	Rating	Dimension in	Approx Weight	Bearings	
F	CONT.	inches	502 lbs	DE: 6211C3	NDE: 6211C3

Totally Enclosed Fan-Cooled Vertical Type, Squirrel-cage Rotor.



Note:
1. Suitable for division I,
class I Group D & class II
Group E, F, G, T2D or T3B.

<table border="1"> <tr> <td>DWN.</td> <td>G. L. GUO</td> <td>05-28-03</td> </tr> <tr> <td>CHKD.</td> <td>C. H. KAO</td> <td>06-06-03</td> </tr> <tr> <td>APPD.</td> <td>M. C. TSAI</td> <td>06-06-03</td> </tr> </table>	DWN.	G. L. GUO	05-28-03	CHKD.	C. H. KAO	06-06-03	APPD.	M. C. TSAI	06-06-03			DWG NO. 31049U559000
DWN.	G. L. GUO	05-28-03										
CHKD.	C. H. KAO	06-06-03										
APPD.	M. C. TSAI	06-06-03										