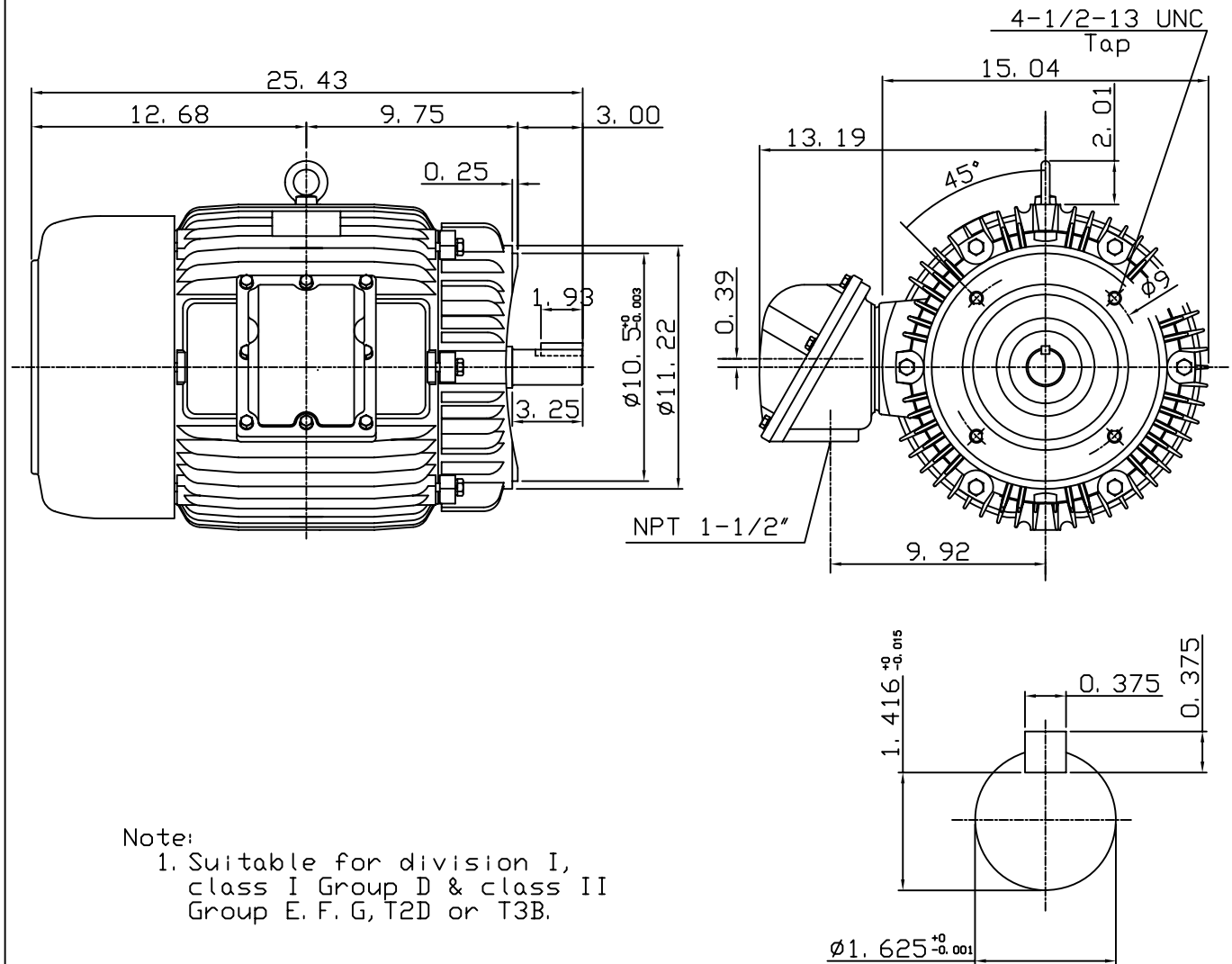


DATE March 5, 2007	OUTLINE DIMENSIONS	MOTOR TYPE: AEUHXF
Cat. #: XV0252C		3-PHASE INDUCTION MOTOR

Pole	HP	kW	Hz	VOLT	Syn. Speed r/min(rpm)
2	25	18.7	60	230/460	3600

Ins	Rating	Dimension in	Approx Weight	Bearings	
F	CONT.	inches	466 lbs	DE: 6211C3	NDE: 6211C3

Totally Enclosed Fan-Cooled Vertical Type, Squirrel-cage Rotor.



Note:
1. Suitable for division I,
class I Group D & class II
Group E, F, G, T2D or T3B.

◇				
DWN.	G. L. GUD	05-28-03	TEC   Westinghouse	DWG NO.
CHKD.	C. H. KAD	06-06-03		31049U557000
APPD.	M. C. TSAI	06-06-03		