

DATE
Jan. 14, 2009
CAT. #: VH0504

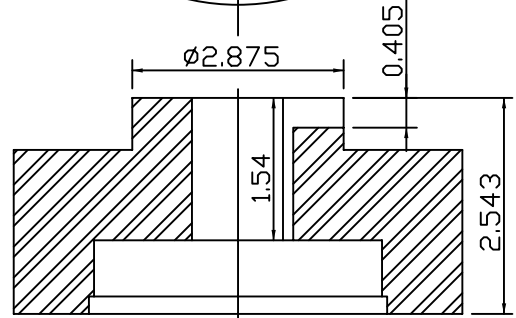
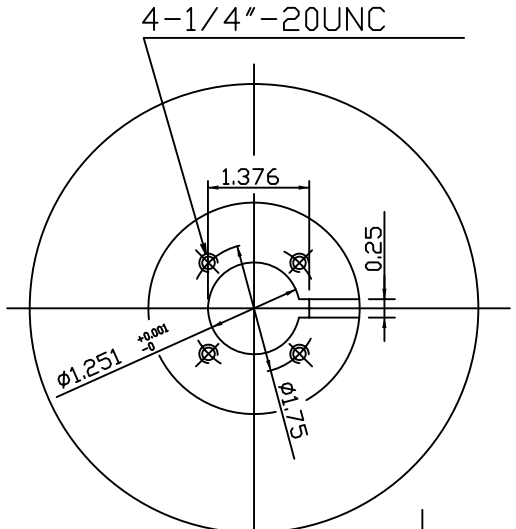
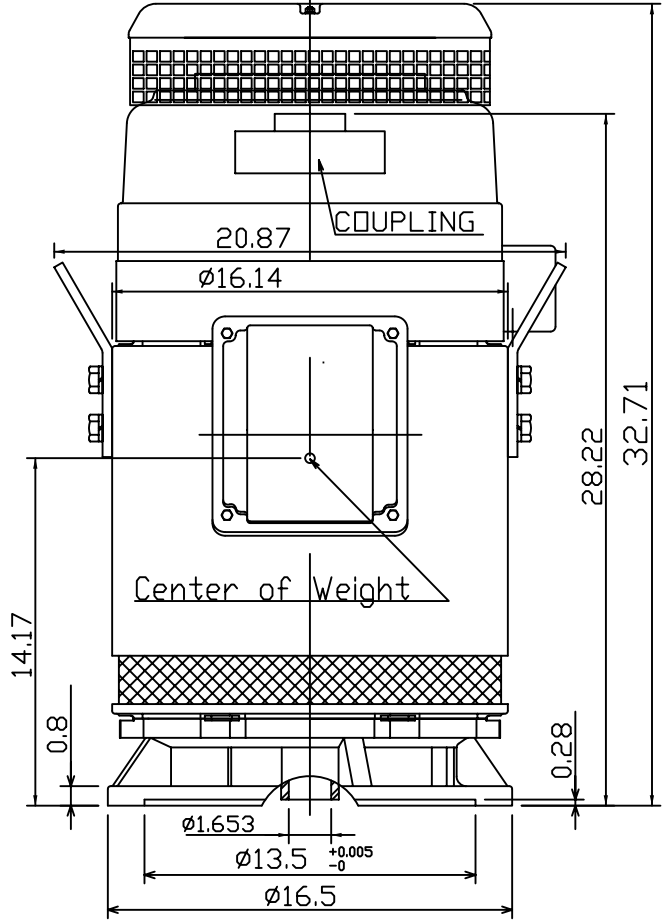
OUTLINE DIMENSIONS
3-PHASE INDUCTION MOTOR

MOTOR TYPE:
AMRCYC
FRAME NO. 326TP

Pole	HP	kW	Hz	VOLT	Syn.Speed r/min(rpm)
4	50	37	60	230/460	1800

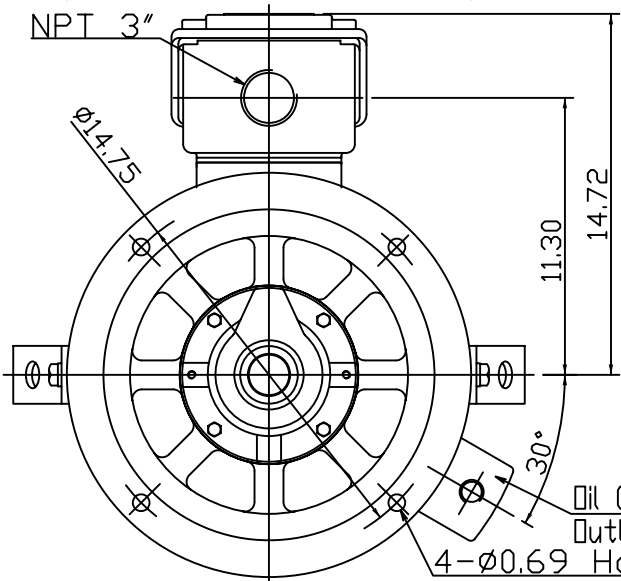
Ins	Rating	Dimension in	Approx Weight	Bearings
F	CONT.	inch	706 lbs	DE: 6312C3 NDE: 7220B

NEMA Weather Protected TYPE I (WP I) Squirrel-cage Rotor.



Coupling Dimension

- Note:
- Downthrust: 5700lbs.
L10 - 8800 hours
 - Rotation: CCW
 - With N.R.R.
 - Approx Reed
Frequencies: 70 Hz
 - Upper Bearing Oil lube
Kind of Oil: Turbine Oil
-300SSU/100°F ISO VG68
Quantity: 0.27 Gallons



12.23.08

DWN.	???????	12 12 08
CHKD.	???????	12 23 08
APPD.	???????	12 23 08



DWG NO.
31057H809111