

DATE
Jan. 14, 2009
CAT. #: VH0204

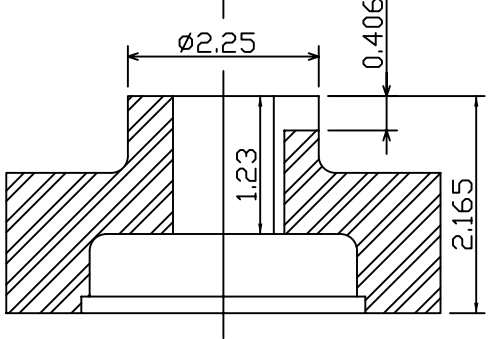
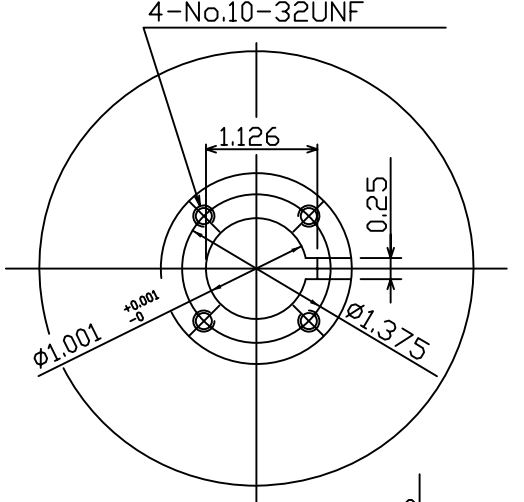
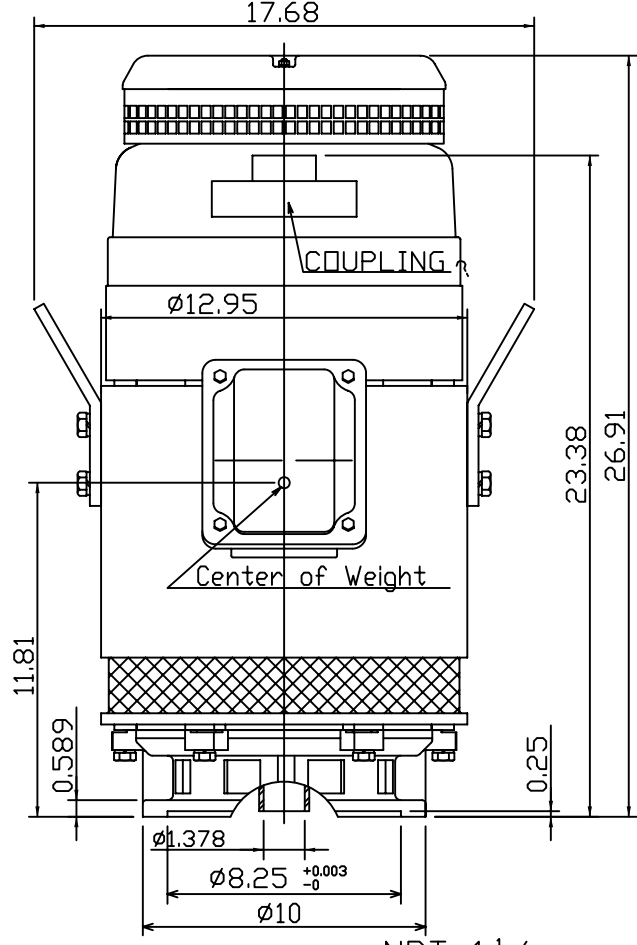
OUTLINE DIMENSIONS
3-PHASE INDUCTION MOTOR

MOTOR TYPE:
AMRCYC
FRAME NO. 256TP

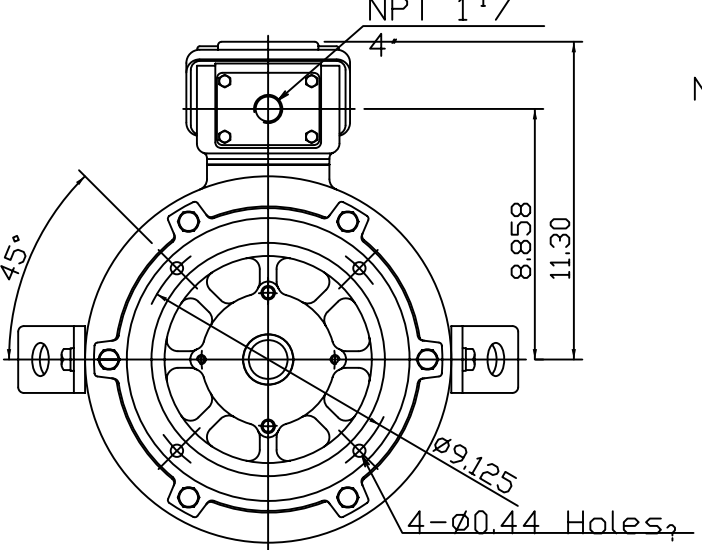
| Pole | HP | kW | Hz | VOLT | Syn.Speed r/min(rpm) |
|------|----|----|----|---------|-------------------------|
| 4 | 20 | 15 | 60 | 230/460 | 1800 |

| Ins | Rating | Dimension in | Approx Weight | Bearings |
|-----|--------|--------------|---------------|-------------------------|
| F | CONT. | inch | 339 lbs | DE: 6309ZZC3 NDE: 7311B |

NEMA Weather Protected TYPE I (WP I) Squirrel-cage Rotor.



Coupling Dimension



- Note:
1. Downthrust: 3350lbs
L10 - 8800 hours
 2. Rotation: C.C.W
Viewed from Top
 3. With N.R.R.
 4. Approx Reed
Frequencies: 83 Hz

12.27.08

| | | |
|-------|----------|----------|
| DWN. | ???????? | 12 15 08 |
| CHKD. | ??????? | 01 09 09 |
| APPD. | ???????? | 01 09 09 |



DWG NO.
31057H807091