

DATE
JULY 15, 2004
CATALOG NO.
NV7/52C-50

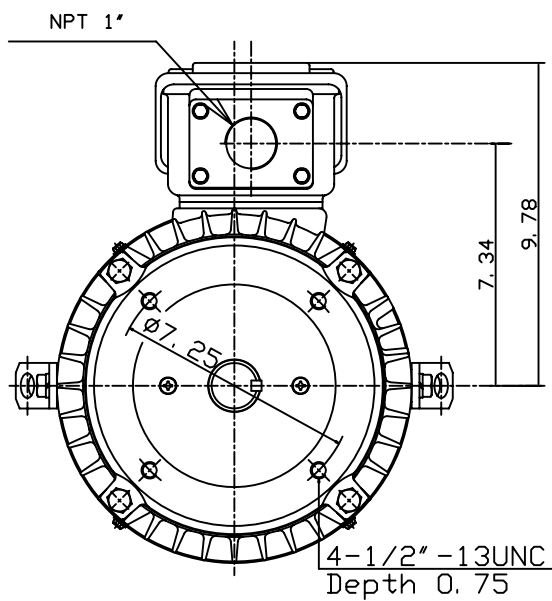
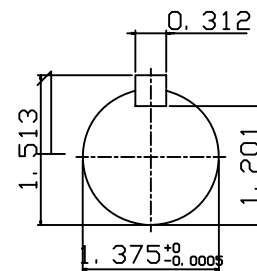
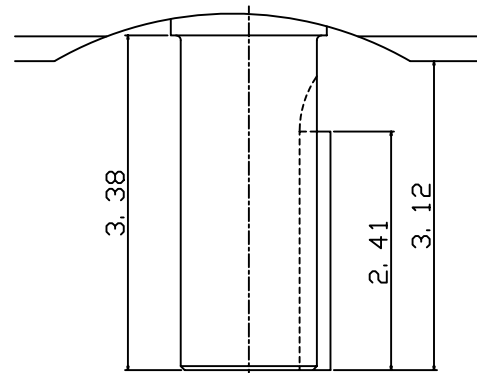
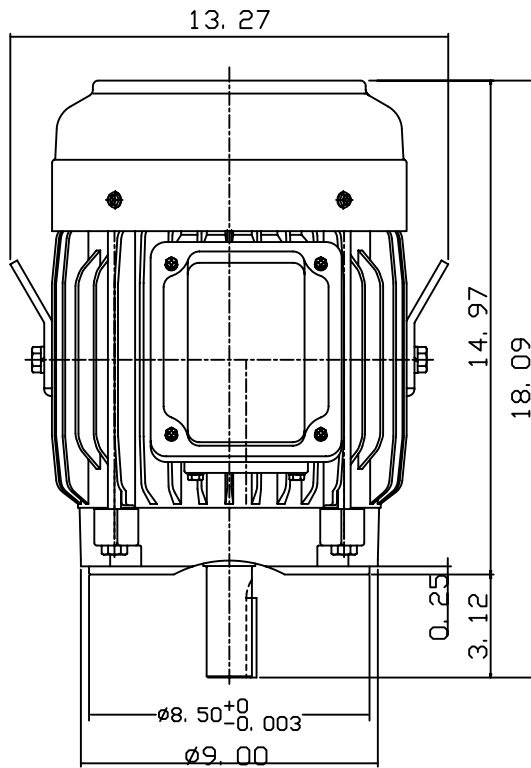
OUTLINE DIMENSIONS
3-PHASE INDUCTION MOTOR

MOTOR TYPE:
AEVANE
FRAME NO. 213TC

Pole	HP	KW	Hz	VOLT	Syn. Speed RPM
2	7.5	5.5	50	190/380	3000

Ins	Rating	Dimension in	Approx Weight	Bearings
F	CONT.	INCHES	150 lbs.	DE: 6308ZZ NDE: 6306ZZ

Totally Enclosed Fan-Cooled Vertical Type. Squirrel-Cage Rotor.



DWN.	Y. C. LAI	06-28-00
CHKD.	C. S. LO	06-29-00
APPD.	Y. B. HUANG	06-29-00

TECO Westinghouse

DWG NO.
31049U571010