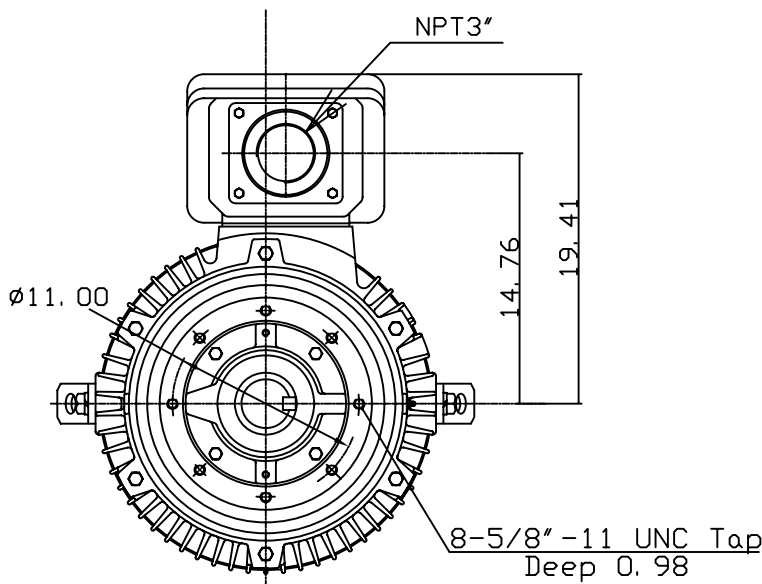
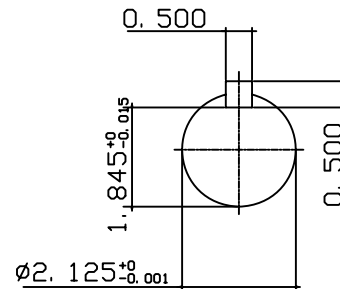
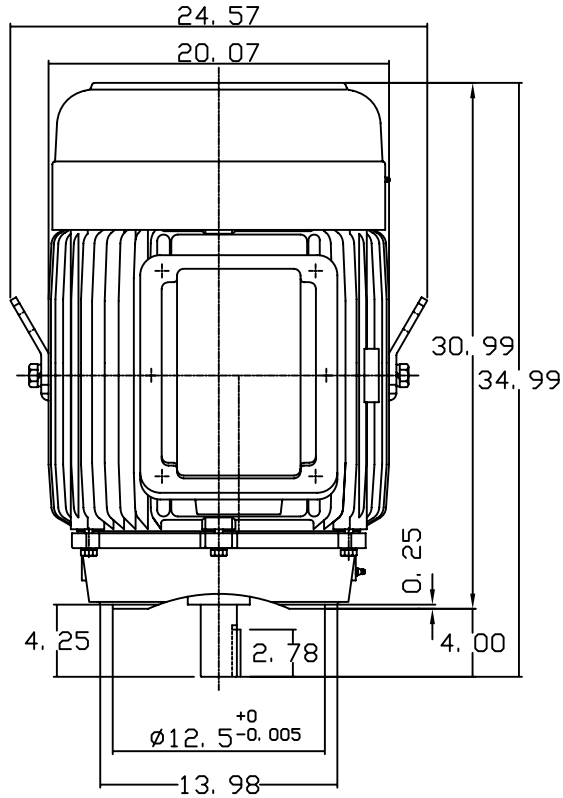


DATE JULY 19, 2004	OUTLINE DIMENSIONS 3-PHASE INDUCTION MOTOR	MOTOR TYPE: AEVANE
CATALOG NO. NV1002C-50		FRAME NO. 405TSC

Pole	HP	KW	Hz	VOLT	Syn. Speed RPM
2	100	75	50	190/380	3000

Ins	Rating	Dimension in	Approx Weight	Bearings	
F	CONT.	inches	1184 lbs.	DE: 6313C3	NDE: 6313C3

Totally Enclosed Fan Cooled Vertical Type. Squirrel-cage Rotor.



◇		
---	--	--

DWN.	G. L. GUD	08-01-02
CHKD.	C. H. KAD	08-06-02
APPD.	Y. B. HUANG	08-06-02

TECO Westinghouse

DWG NO.
31049U574010