

DATE
JULY 19, 2004
CATALOG NO.
NVO752C-50

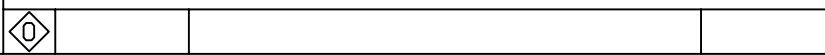
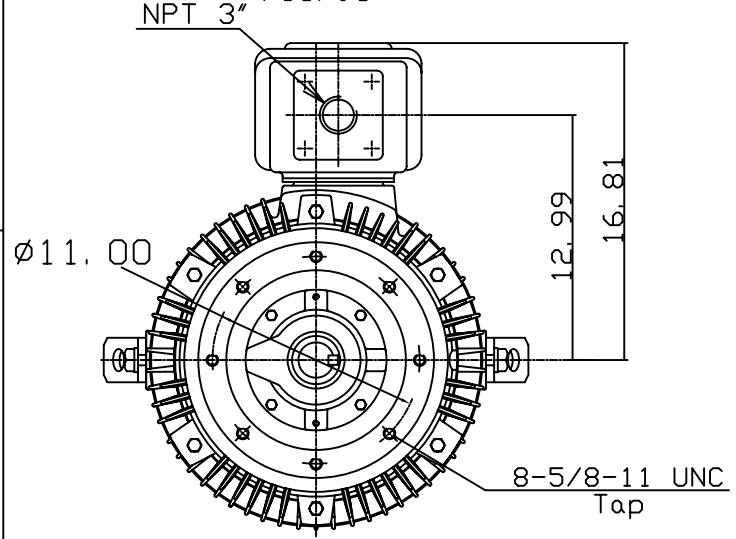
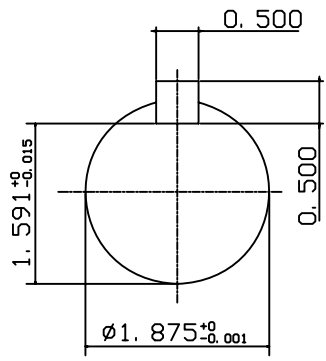
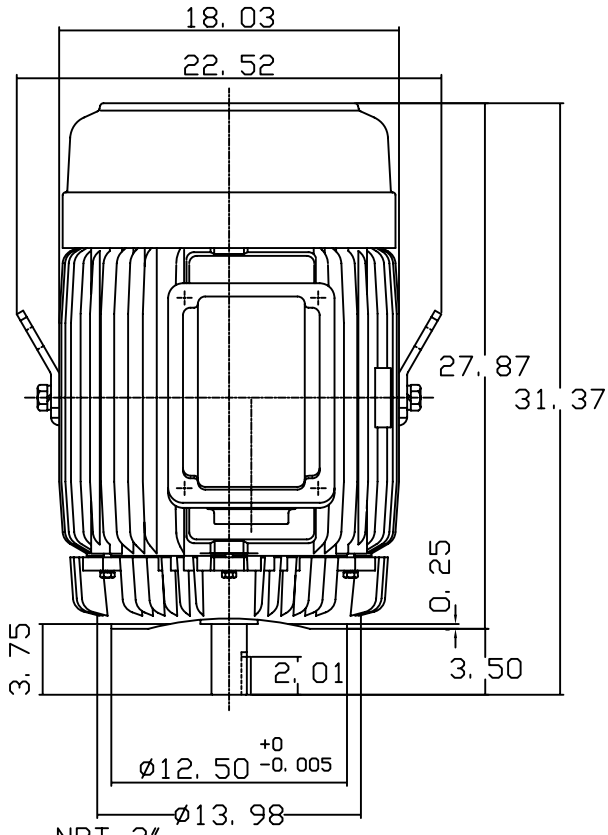
OUTLINE DIMENSIONS
3-PHASE INDUCTION MOTOR

MOTOR TYPE:
AEVANE
FRAME NO. 365TSC

Pole	HP	KW	Hz	VOLT	Syn. Speed RPM
2	75	56	50	190/380	3000

Ins	Rating	Dimension in	Approx Weight	Bearings
F	CONT.	inches	818 lbs.	DE: 6312C3 NDE: 6212C3

Totally Enclosed Fan-Cooled Type. Squirrel-Cage Rotor.



DWN.	G. L. GUO	08-01-02
CHKD.	C. H. KAO	08-06-02
APPD.	Y. B. HUANG	08-06-02

TECO Westinghouse

DWG NO.
31049U576010