

DATE
JULY 19, 2004
CATALOG NO.
NVO604C

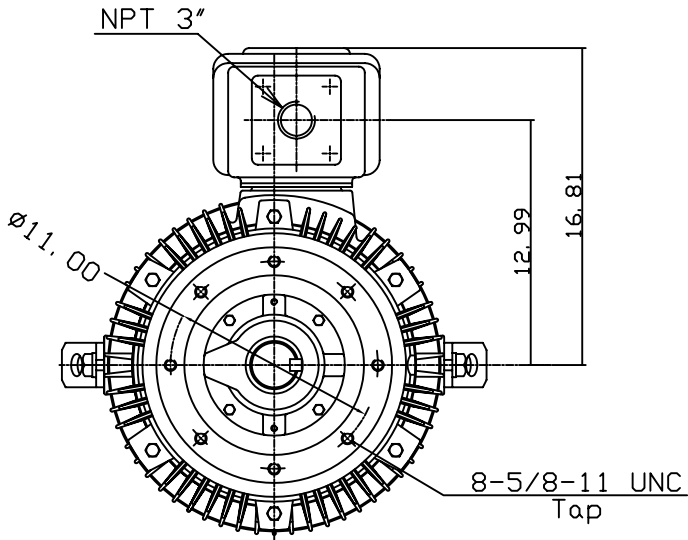
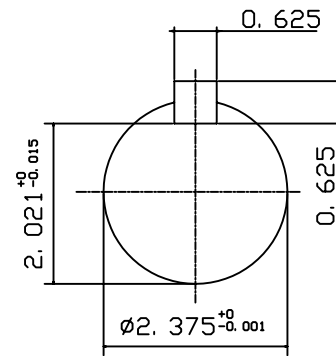
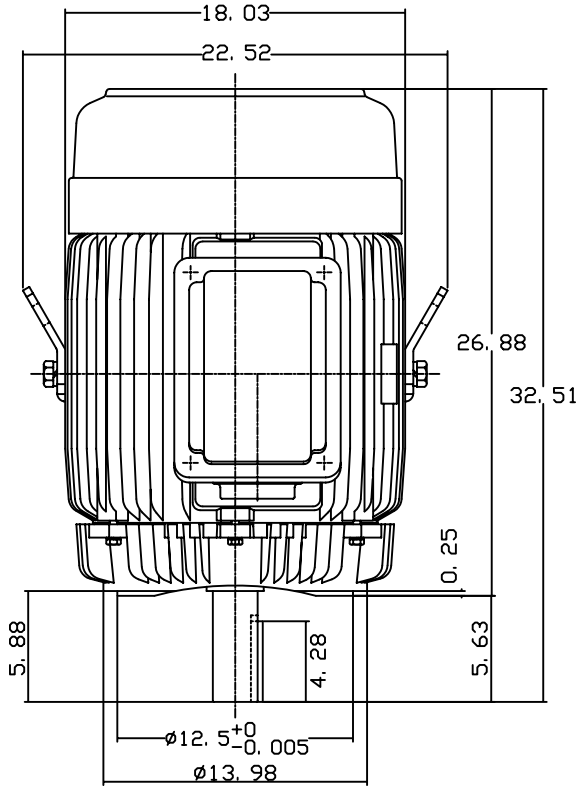
OUTLINE DIMENSIONS
3-PHASE INDUCTION MOTOR

MOTOR TYPE:
AEVANE
FRAME NO. 364TC

| Pole | HP | KW | Hz | VOLT | Syn. Speed RPM |
|------|----|----|----|---------|-------------------|
| 4 | 60 | 45 | 60 | 230/460 | 1800 |

| Ins | Rating | Dimension in | Approx Weight | Bearings | |
|-----|--------|--------------|---------------|----------|-----------|
| F | CONT. | inches | 772 lbs. | DE: 6313 | NDE: 6213 |

Totally Enclosed Fan-Cooled Type. Squirrel-Cage Rotor.



| | | |
|-------|-------------|----------|
| DWN. | G. L. GUO | 08-01-02 |
| CHKD. | C. H. KAO | 08-06-02 |
| APPD. | Y. B. HUANG | 08-06-02 |

TECO Westinghouse

DWG NO.
31049U579010