

DATE  
JULY 19, 2004  
CATALOG NO.  
NV0504C-50

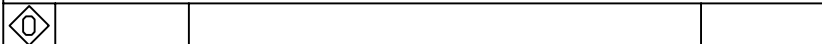
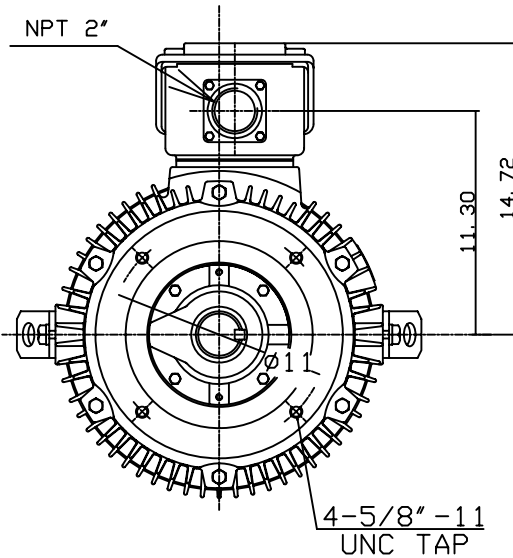
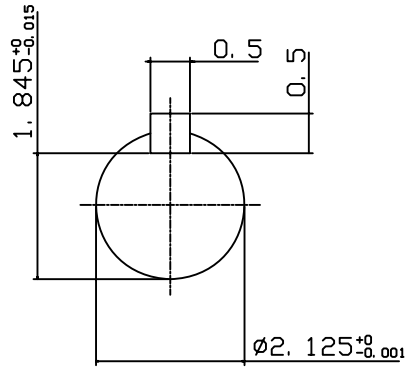
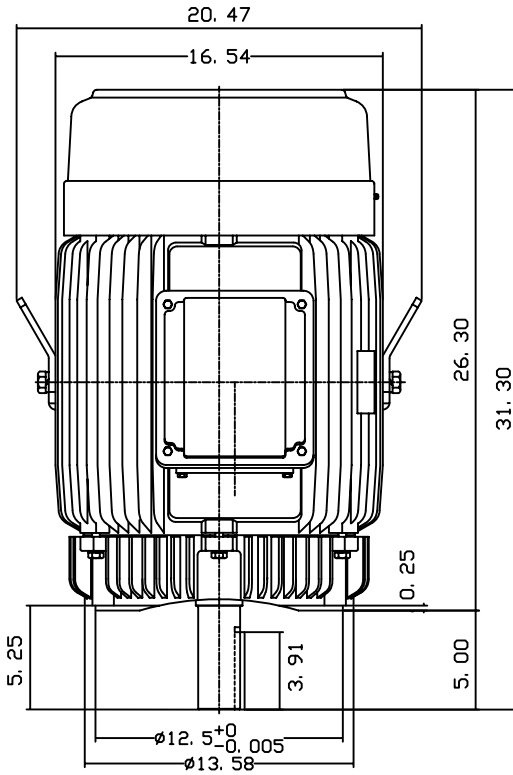
OUTLINE DIMENSIONS  
3-PHASE INDUCTION MOTOR

MOTOR TYPE:  
AEVANE  
FRAME NO. 326TC

Pole	HP	KW	Hz	VOLT	Syn. Speed RPM
4	50	37	50	190/380	1500

Ins	Rating	Dimension in	Approx Weight	Bearings
F	CONT.	inches	686 lbs.	DE: 6312 NDE: 6212

Totally Enclosed Fan-cooled Vertical Type, Squirrel-cage Rotor.



DWN.	G. L. GUD	03-19-01
CHKD.	C. H. KAD	03-27-01
APPD.	Y. B. HUANG	03-27-01

**TECO**  **Westinghouse**

DWG NO.  
31049U588010