

DATE
JULY 19, 2004
CATALOG NO.
NV0502C

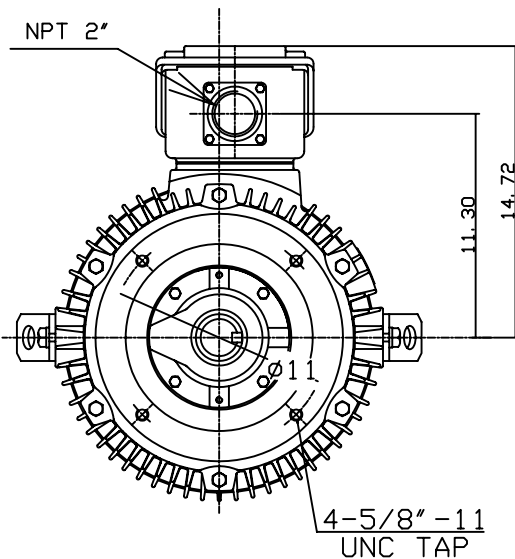
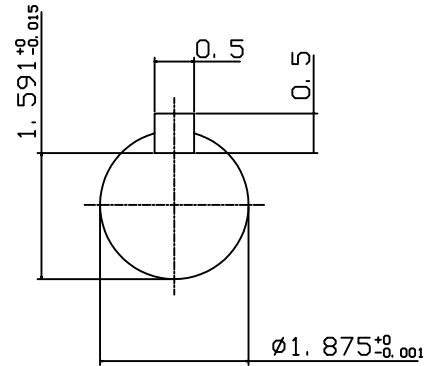
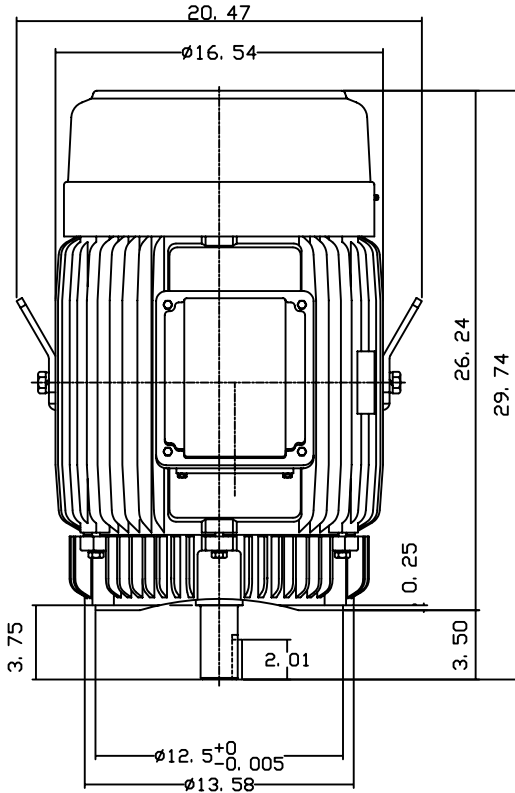
OUTLINE DIMENSIONS
3-PHASE INDUCTION MOTOR

MOTOR TYPE:
AEVANE
FRAME NO. 326TSC

Pole	HP	KW	Hz	VOLT	Syn. Speed RPM
2	50	37	60	230/460	3600

Ins	Rating	Dimension in	Approx Weight	Bearings
F	CONT.	inches	616 lbs.	DE: 6312C3 NDE: 6212C3

Totally Enclosed Fan-cooled Vertical Type, Squirrel-cage Rotor.



\diamond		
------------	--	--

DWN.	G. L. GUD	03-19-01
CHKD.	C. H. KAD	03-27-01
APPD.	Y. B. HUANG	03-27-01

TECO Westinghouse

DWG NO.
31049U589010