

DATE  
JULY 19, 2004  
CATALOG NO.  
NV0502C-50

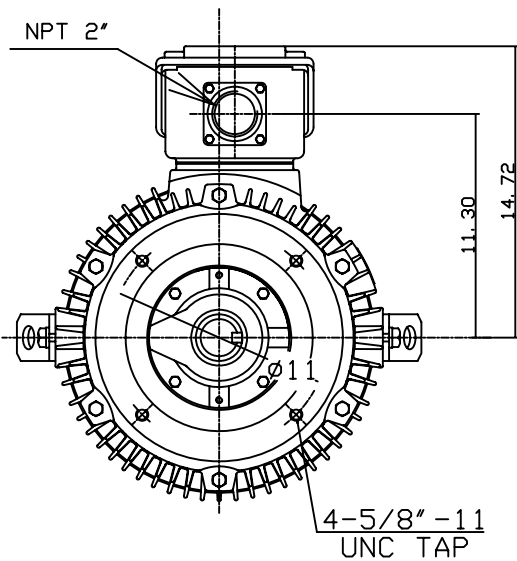
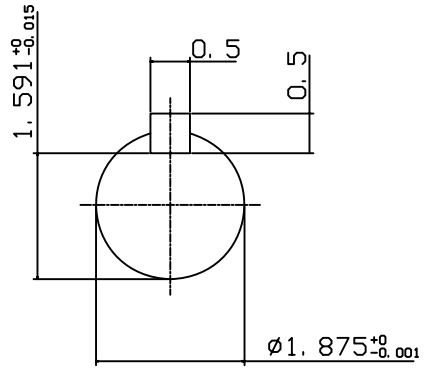
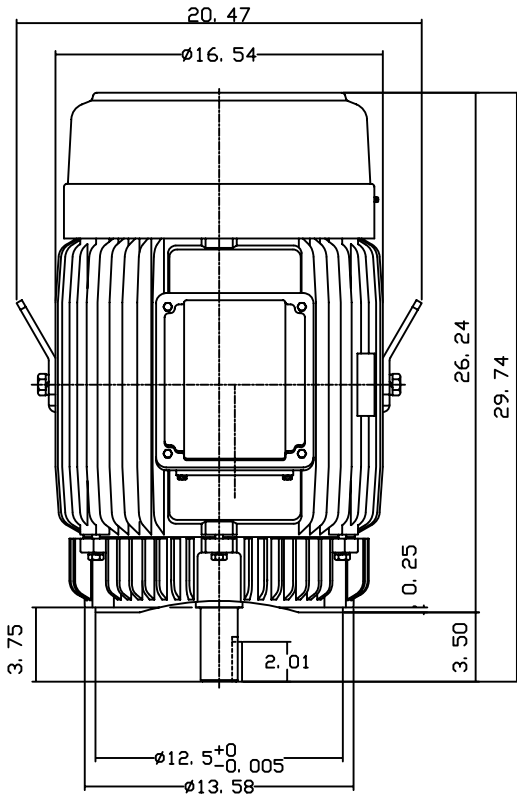
OUTLINE DIMENSIONS  
3-PHASE INDUCTION MOTOR

MOTOR TYPE:  
AEVANE  
FRAME NO. 326TSC

Pole	HP	KW	Hz	VOLT	Syn. Speed RPM
2	50	37	50	190/380	3000

Ins	Rating	Dimension in	Approx Weight	Bearings
F	CONT.	inches	616 lbs.	DE: 6312C3 NDE: 6212C3

Totally Enclosed Fan-cooled Vertical Type, Squirrel-cage Rotor.



◇		
---	--	--

DWN.	G. L. GUD	03-19-01
CHKD.	C. H. KAD	03-27-01
APPD.	Y. B. HUANG	03-27-01



DWG NO.  
31049U589010