

DATE  
JULY 15, 2004  
CATALOG NO.  
NVO304C

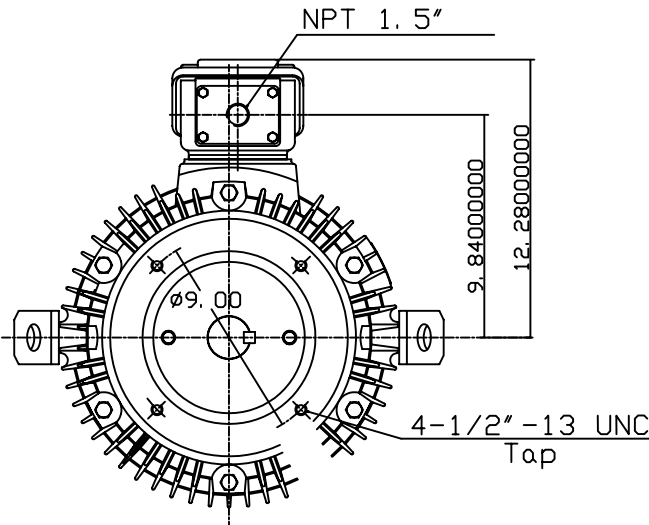
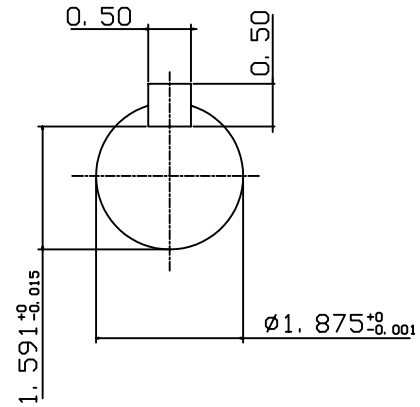
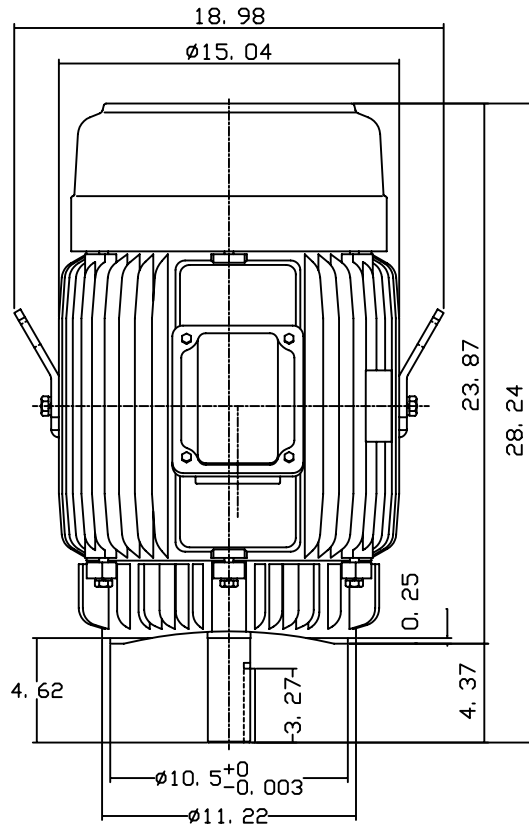
OUTLINE DIMENSIONS  
3-PHASE INDUCTION MOTOR

MOTOR TYPE:  
AEVANE  
FRAME NO. 286TC

| Pole | HP | KW | Hz | VOLT    | Syn. Speed<br>RPM |
|------|----|----|----|---------|-------------------|
| 4    | 30 | 22 | 60 | 230/460 | 1800              |

| Ins | Rating | Dimension in | Approx Weight | Bearings               |
|-----|--------|--------------|---------------|------------------------|
| F   | CONT.  | inches       | 463 lbs.      | DE: 6311ZZ NDE: 6310ZZ |

Totally Enclosed Fan-Cooled Vertical Type, Squirrel-cage Rotor.



|   |  |  |
|---|--|--|
| ◇ |  |  |
|---|--|--|

|       |             |          |
|-------|-------------|----------|
| DWN.  | G. L. GUD   | 03-19-01 |
| CHKD. | C. H. KAD   | 03-27-01 |
| APPD. | Y. B. HUANG | 03-27-01 |



DWG NO.  
31049U582010