

DATE
JULY 15, 2004
CATALOG NO.
NV0204C-50

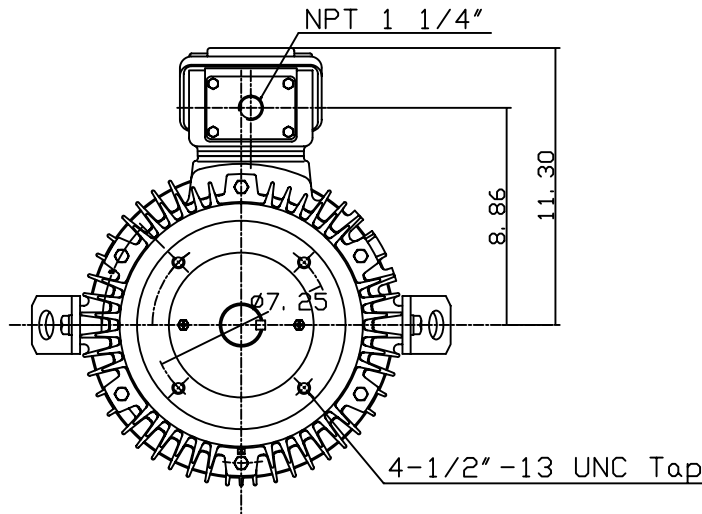
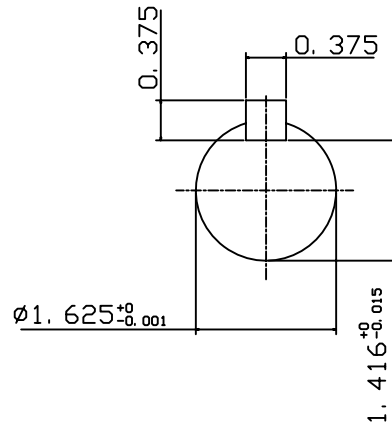
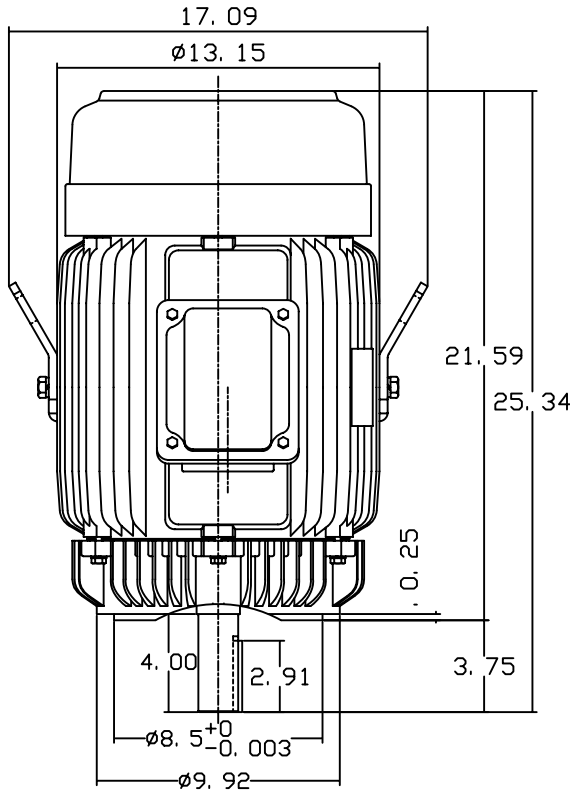
OUTLINE DIMENSIONS
3-PHASE INDUCTION MOTOR

MOTOR TYPE:
AEVANE
FRAME NO. 256TC

Pole	HP	KW	Hz	VOLT	Syn. Speed RPM
4	20	15	50	190/380	1500

Ins	Rating	Dimension in	Approx Weight	Bearings
F	CONT.	inches	323 lbs.	DE: 6309ZZ NDE: 6307ZZ

Totally Enclosed Fan-Cooled Vertical Type, Squirrel-Cage Rotor.



\diamond		
------------	--	--

DWN.	G. L. GUD	03-19-01
CHKD.	C. H. KAD	03-27-01
APPD.	Y. B. HUANG	03-27-01

TECO Westinghouse

DWG NO.
31049U587011