

DATE  
JULY 15, 2004  
CATALOG NO.  
NV0202C-50

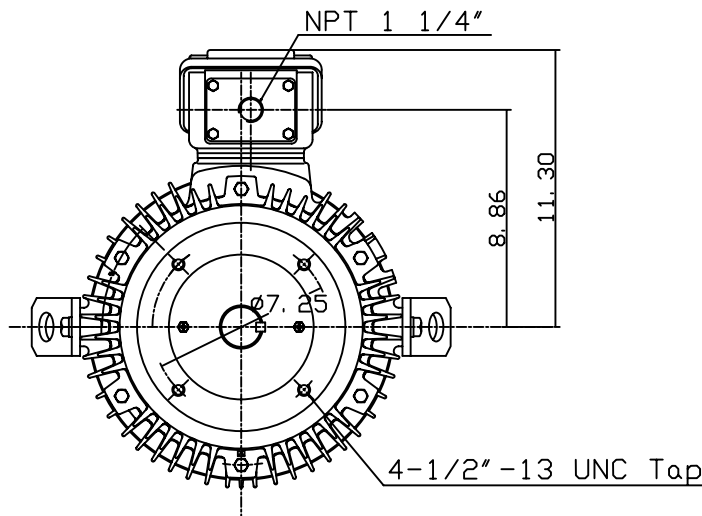
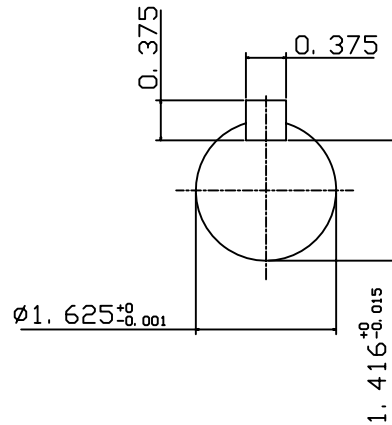
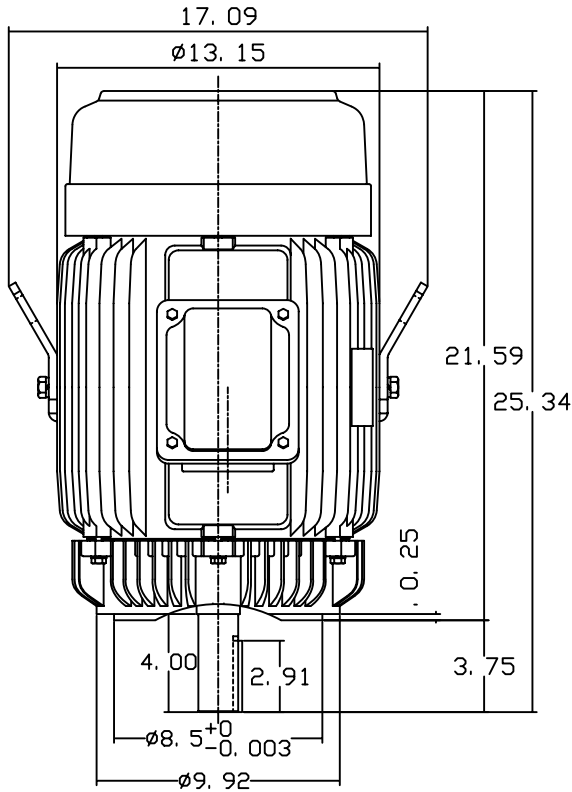
OUTLINE DIMENSIONS  
3-PHASE INDUCTION MOTOR

MOTOR TYPE:  
AEVANE  
FRAME NO. 256TC

Pole	HP	KW	Hz	VOLT	Syn. Speed RPM
2	20	15	50	190/380	3000

Ins	Rating	Dimension in	Approx Weight	Bearings
F	CONT.	inches	309 lbs.	DE: 6309ZZ NDE: 6307ZZ

Totally Enclosed Fan-Cooled Vertical Type, Squirrel-Cage Rotor.



$\diamond$		
------------	--	--

DWN.	G. L. GUD	03-19-01
CHKD.	C. H. KAD	03-27-01
APPD.	Y. B. HUANG	03-27-01

**TECO** Westinghouse

DWG NO.  
31049U587010