

DATE
JULY 15, 2004
CATALOG NO.
NV0152C

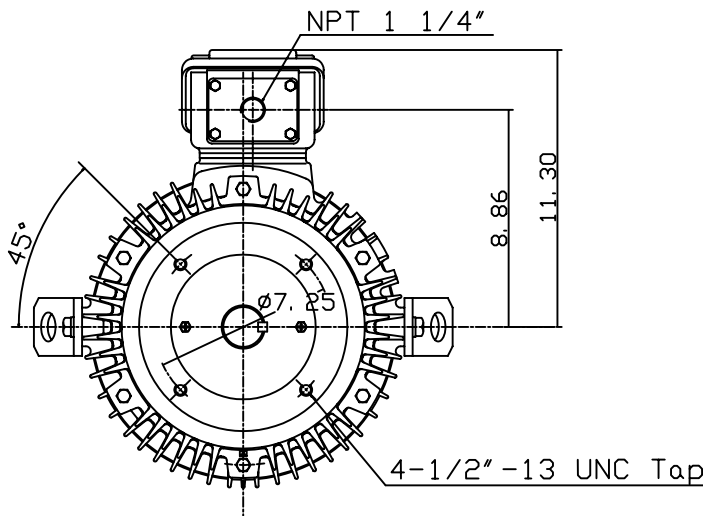
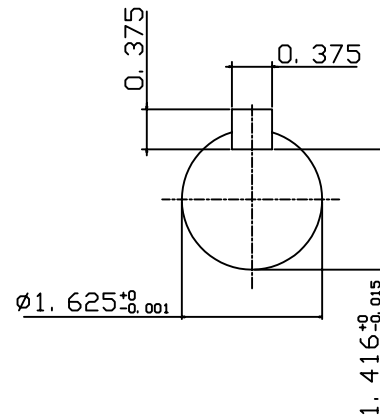
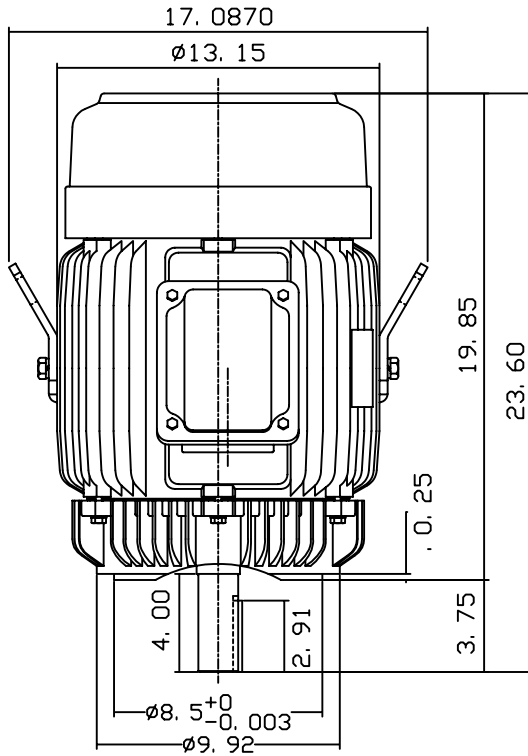
OUTLINE DIMENSIONS
3-PHASE INDUCTION MOTOR

MOTOR TYPE:
AEVANE
FRAME NO. 254TC

| Pole | HP | KW | Hz | VOLT | Syn. Speed RPM |
|------|----|----|----|---------|-------------------|
| 2 | 15 | 11 | 60 | 230/460 | 3600 |

| Ins | Rating | Dimension in | Approx Weight | Bearings |
|-----|--------|--------------|---------------|------------------------|
| F | CONT. | inches | 271 lbs. | DE: 6309ZZ NDE: 6307ZZ |

Totally Enclosed Fan-Cooled Vertical Type, Squirrel-Cage Rotor.



| | | |
|---|--|--|
| ◇ | | |
|---|--|--|

| | | |
|-------|-------------|----------|
| DWN. | G. L. GUD | 03-19-01 |
| CHKD. | C. H. KAD | 03-27-01 |
| APPD. | Y. B. HUANG | 03-27-01 |

TECO Westinghouse

DWG NO.
31049U586010