

DATE
JULY 15, 2004
CATALOG NO.
NV0022C-50

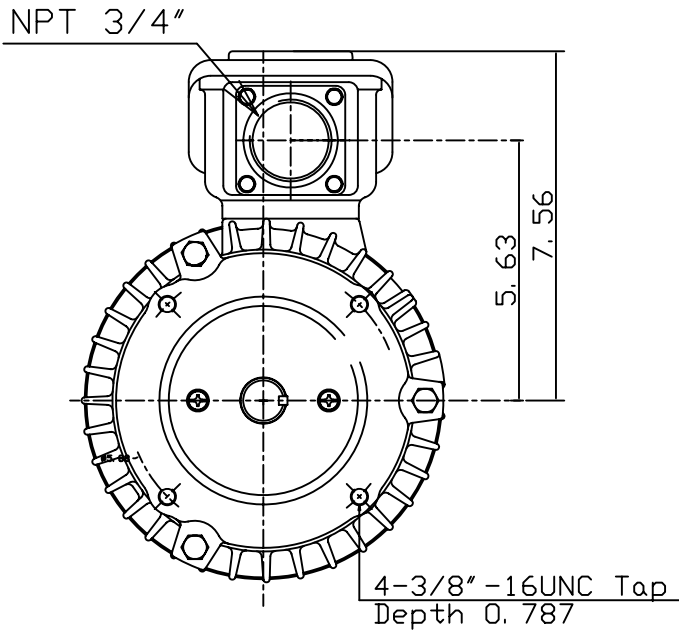
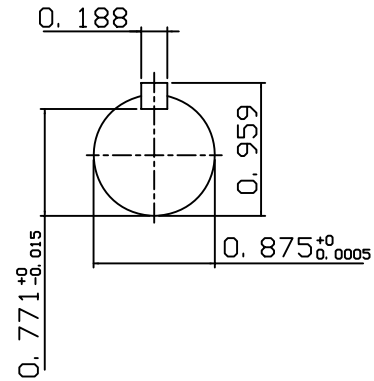
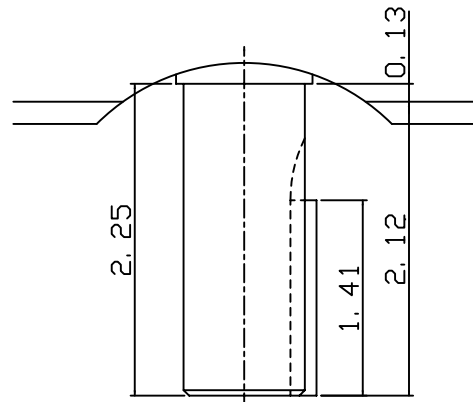
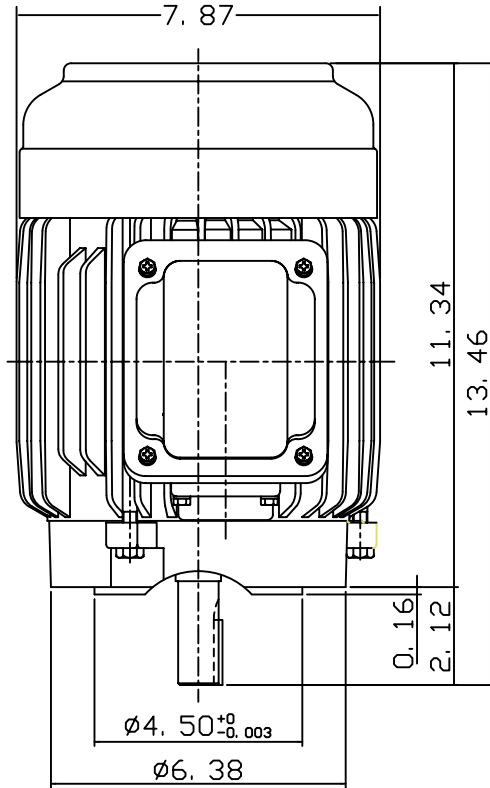
OUTLINE DIMENSIONS
3-PHASE INDUCTION MOTOR

MOTOR TYPE:
AEVANE
FRAME NO. 145TC

Pole	HP	KW	Hz	VOLT	Syn. Speed RPM
2	2	1.5	50	190/380	3000

Ins	Rating	Dimension in	Approx Weight	Bearings
F	CONT.	INCHES	55 lbs.	DE: 6205ZZ NDE: 6205ZZ

Totally Enclosed Fan-Cooled Vertical Type. Squirrel-Cage Rotor.



0		
---	--	--

DWN.	J. Y. WU	10-05-00
CHKD.	C. S. LO	10-13-00
APPD.	Y. B. HUANG	10-13-00

TECO Westinghouse

DWG NO.
31049U568011